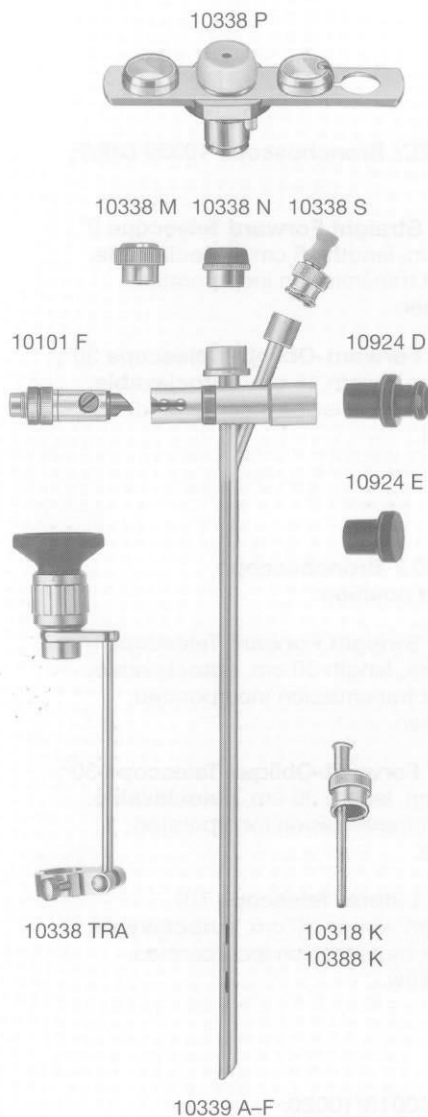


Pediatric Bronchoscopes

with Proximal Illumination.



Special features:

- Adjustable proximal prismatic light deflector.
- Maximum lumen and small external diameter.
- Built-in channel for suction or instrumentation.
- Device for capnography.
- No loss of lumen through light carrier.

For use with **HOPKINS**® Telescopes 10324 AA/BA/CA and 10020 ATA/BA/CA:

- 10339 A DOESEL-HUZLY **Bronchoscope**, length 30 cm, size 6.
- 10339 B **Same**, length 30 cm, size 5.
- 10339 BB **Same**, length 30 cm, size 4.5.
- 10339 C **Same**, length 30 cm, size 4.
- 10339 G **Same**, length 30 cm, size 3.7.
- 13339 CD **Same**, length 30 cm, size 3.5.

Bronchoscope for Respiratory Gas Monitoring:

- 10341 A HUZLY-DOESEL **Bronchoscope**, modified version model JENA with lateral channel for distal respiratory gas monitoring, for use with prismatic light deflector 10101 F, length 30 cm, size 6.
- 10341 CD **Same**, size 3.5.

For use with **HOPKINS**® Telescopes 10020 ATA/BA/CA:

- 10339 CC DOESEL-HUZLY **Bronchoscope**, length 26 cm, size 4.
- 10339 GG **Same**, length 26 cm, size 3.7.
- 10339 DD **Same**, length 26 cm, size 3.5.
- 10339 EE **Same**, length 26 cm, size 3.

For use with **HOPKINS**® Telescopes 10018 AA/BA:

- 10339 D DOESEL-HUZLY **Bronchoscope**, length 20 cm, size 3.5.
- 10339 E **Same**, length 20 cm, size 3.
- 10339 F **Same**, length 20 cm, size 2.5.

For use with Bronchoscopes 10339 A – F:

- 10101 F **Prismatic Light Deflector** with connection for fiber optic light cable.
- 10338 M **Glass Window Plug.**
- 10338 N **Rubber Telescope Guide** for telescope 2.7 mm and 2.9 mm and optical forceps.
- 10338 P **FLUVOG Adaptor** with sliding glass window plug, sealing cap, notched lens and keyhole opening, movable.
- 10338 S **Instrument Guide** for aspiration catheter.
- 10338 TRA **Adjustable Magnifier.** Swing-away type, **autoclavable.**
- 10924 D **Adaptor** to respirator.
- 10924 E **Sealing Plug** for respiration connector.
- 10318 K **Injection Cannula**, O. D. 3.5 mm, for positive pressure assisted ventilation system, for use with bronchoscopes 10318, 10338 AL-DD, 10341 A/CD, with LUER-lock female fitting.
- 10338 K **Injection Cannula**, O. D. 2.7 mm, for positive pressure assisted ventilation system, for use with bronchoscopes 10339 E/EE/F, with LUER-lock female fitting.