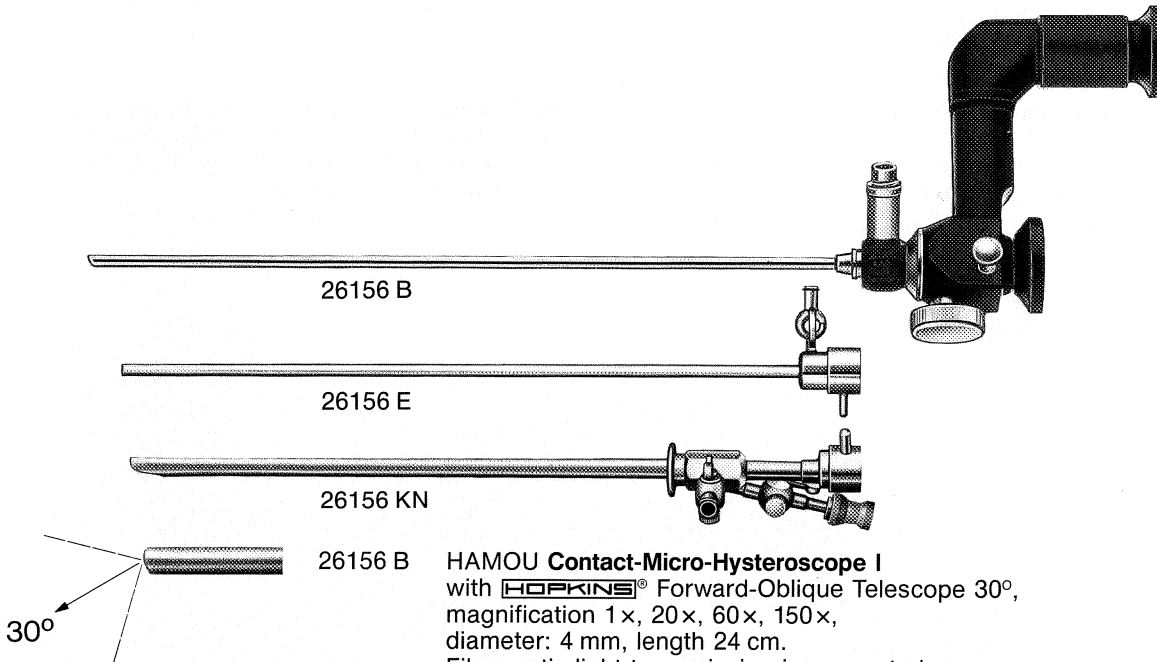


HAMOU Contact-Micro-Hysteroscope 5/7 mm

with **HOPKINS**® Telescopes for panoramic and contact vision.
Magnification 1 x, 20 x, 60 x, 150 x.

STORZ
KARL STORZ — ENDOSKOPE



26156 B

26156 E

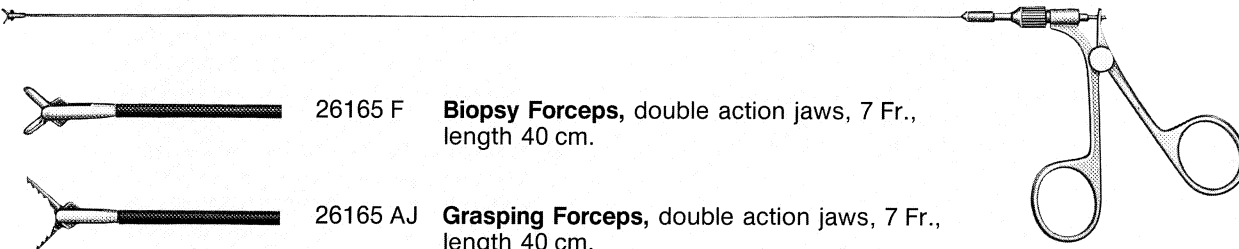
26156 KN

26156 B **HAMOU Contact-Micro-Hysteroscope I** with **HOPKINS**® Forward-Oblique Telescope 30°, magnification 1 x, 20 x, 60 x, 150 x, diameter: 4 mm, length 24 cm. Fiber optic light transmission incorporated. Color code: red.

26156 E **Examination Sheath**, diameter 5 mm, with LUER-lock adaptor.

26156 KN **Operating Sheath**, diameter 7 mm, with channel for instruments, 7 Fr., and 1 LUER-lock adaptor.

Flexible Operating Instruments



26165 F **Biopsy Forceps**, double action jaws, 7 Fr., length 40 cm.

26165 AJ **Grasping Forceps**, double action jaws, 7 Fr., length 40 cm.

26168 A **Scissors**, double action jaws, length 40 cm, 7 Fr.

27770 D **Ball Electrode**, 7 Fr., length 53 cm.

10478 B **Suction Catheter**, 7 Fr., length 60 cm, package of 6.

10479 B **Adaptor** for use with suction catheter 10478 B.

Continuous-Flow Examination and Operating Hysteroscope see page HYST 15–17.

HAMOU Micro-Hysteroflator® see page HYST-UNITS 2–3.

HAMOU ENDOMAT® see page HYST-UNITS 4–5.

Operating Hysteroscope see page HYST 20.

Operating Hystero-Resectoscope see page HYST-RES 2–9.

High-Frequency Cords see page HYST-UNITS 10–11.

Technique of examination see page HYST 2.