

# VACUUM REGULATOR

CONTINUOUS



## A unique, modular design, compact vacuum regulator!

### ***It's Field Serviceable...***

The unique modular design makes repair a breeze for any biomed or central supply department. The unit is made up of six (6) easy-to-replace modular components.

### ***It's Durable...***

Unlike the normal plastic inlet and outlet connections on most units, the cast metal backplate connections are extremely durable, thereby saving unnecessary repair costs.

### ***It's Compact...***

As a result of its modular design, the unit is 25-50% smaller than other suction regulators making it the product of choice for crowded wall and rail areas.

### ***It's Sturdy...***

The case is made of strong ABS plastic. It features a smooth surface with rounded corners making cleaning easy. The case also houses the gauge for extra protection.

### ***It's User-Friendly...***

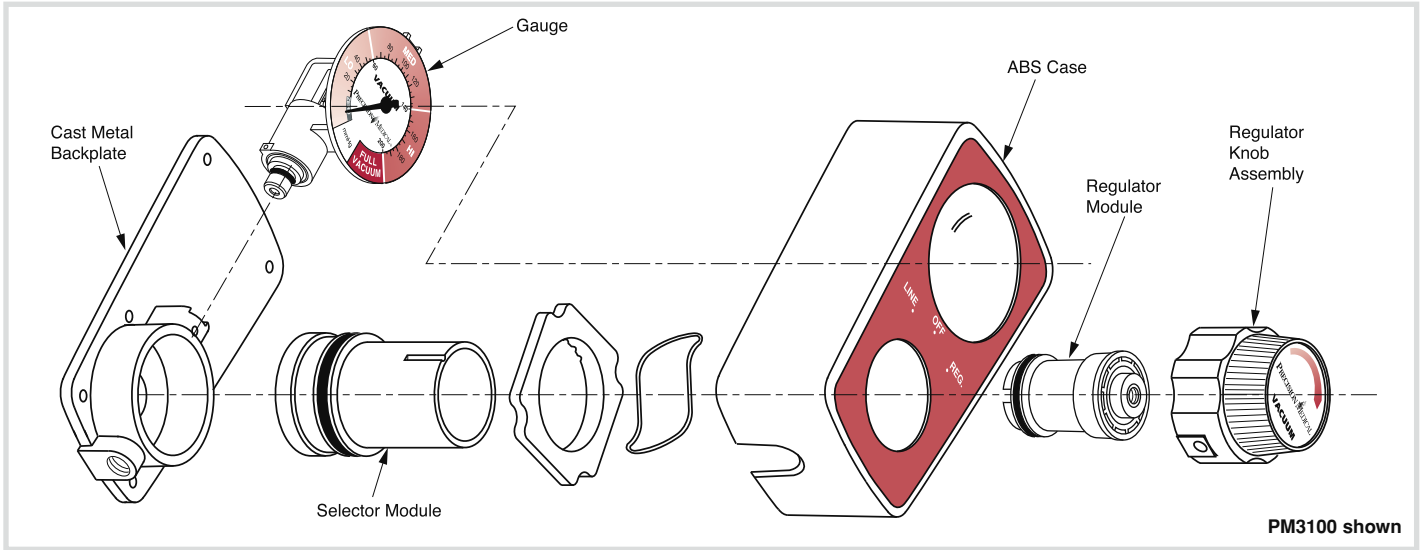
The large control knob and easy-to-read settings make vacuum adjustments simple, even in emergency situations.

### ***It's Safe...***

The *Pediatric* vacuum regulator is restricted to 170 mmHg ( $\pm 10$  mmHg) to prevent high vacuum situations and the gauge face is imprinted with the Precision Medical's "Stork Symbol" to identify the unit for pediatric applications.



# MODULAR CONSTRUCTION



# SPECIFICATIONS

<b>Gauge Reading:</b>	
PM3000 & PM3100	0-200 mmHg and "Full Vacuum"
PM3500	0-150 mmHg
<b>Vacuum Operating Range:</b>	
PM3000 & PM3100	0-200 mmHg and "Full Vacuum"
PM3500	0-150 mmHg (Restricted to 170 mmHg ±10 mmHg max.)
<b>Modes:</b>	
PM3000 & PM3500	OFF - REG. (Regulated)
PM3100	LINE - OFF - REG. (Regulated)

# ORDERING INFORMATION

		VACUUM SOURCE CONNECTION (on back of unit)										
		1/8" N.P.T.F.	DISS HEX	DISS H.T.	OHMEDA	CHEMETRON	OXEQUIP (Old Style)	OXEQUIP (Medstar)	PURITAN-BENNETT	SCHRADER	TUBING NIPPLE	90 TUBING FITTING
<b>BOTTOM CONNECTION (inlet)</b>	TUBING NIPPLE	PM3001 PM3101 PM3501	PM3002 PM3102 PM3502	PM3003 PM3103 PM3503	PM3004 PM3104 PM3504	PM3005 PM3105 PM3505	PM3006 PM3106 PM3506	PM3007 PM3107 PM3507	PM3008 PM3108 PM3508	PM3009 PM3109 PM3509	PM3010 PM3110 PM3510	PM3011 PM3111 PM3511
	DISS MALE	PM3012 PM3112 PM3512	PM3013 PM3113 PM3513	PM3014 PM3114 PM3514	PM3015 PM3115 PM3515	PM3016 PM3116 PM3516	PM3017 PM3117 PM3517	PM3018 PM3118 PM3518	PM3019 PM3119 PM3519	PM3020 PM3120 PM3520	PM3021 PM3121 PM3521	PM3022 PM3122 PM3522
	OHMEDA STYLE TRAP BOTTLE CONNECTION	PM3023 PM3123 PM3523	PM3024 PM3124 PM3524	PM3025 PM3125 PM3525	PM3026 PM3126 PM3526	PM3027 PM3127 PM3527	PM3028 PM3128 PM3528	PM3029 PM3129 PM3529	PM3030 PM3130 PM3530	PM3031 PM3131 PM3531	PM3032 PM3132 PM3532	PM3033 PM3133 PM3533
	45 TRAP BOTTLE CONNECTION	PM3034 PM3134 PM3534	PM3035 PM3135 PM3535	PM3036 PM3136 PM3536	PM3037 PM3137 PM3537	PM3038 PM3138 PM3538	PM3039 PM3139 PM3539	PM3040 PM3140 PM3540	PM3041 PM3141 PM3541	PM3042 PM3142 PM3542	PM3043 PM3143 PM3543	PM3044 PM3144 PM3544



ISO 9001  
Certified

Precision Medical, Inc.  
300 Held Drive • Northampton, PA 18067  
Phone: 610-262-6090 Toll-Free Phone: 1-800-272-7285  
Fax: 610-262-6080 Toll-Free Fax: 1-800-352-1240  
Visit us on the Web: [www.precisionmedical.com](http://www.precisionmedical.com)