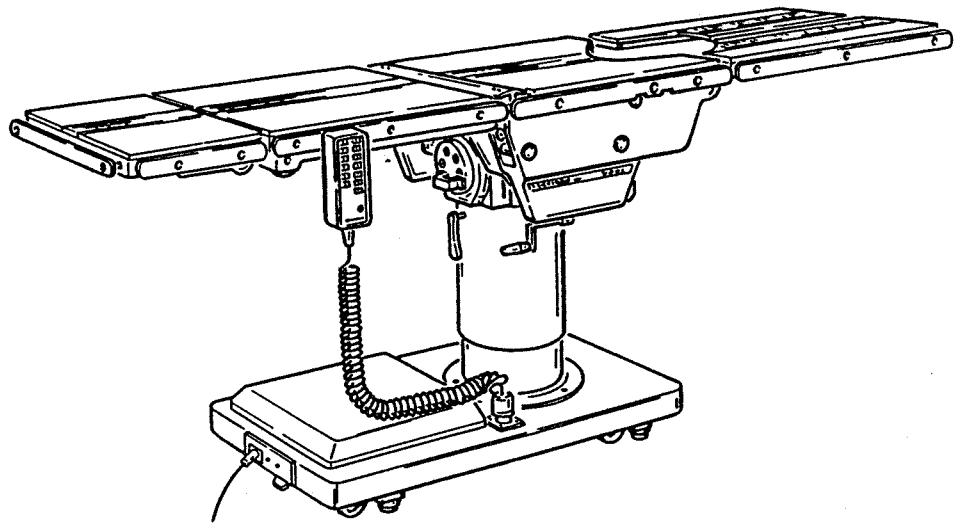
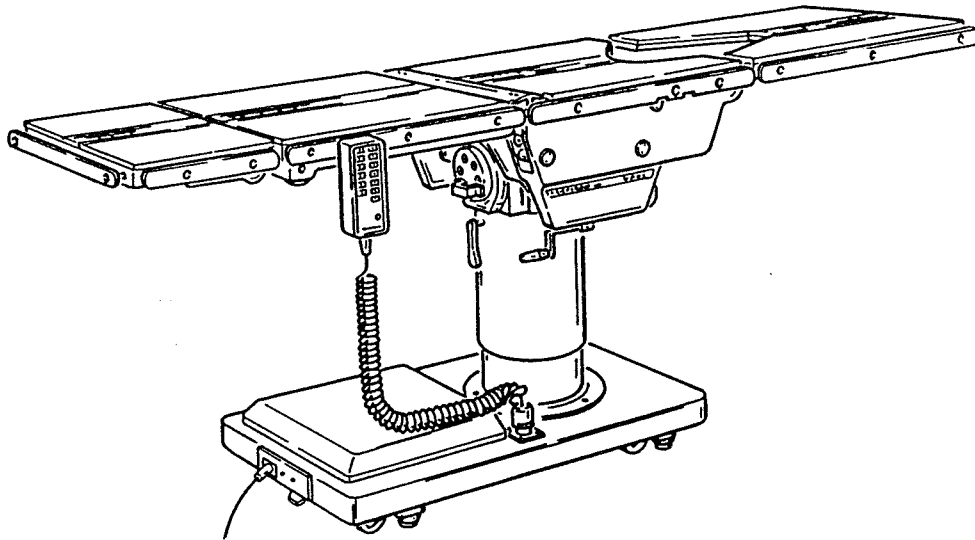


**S** **SKYTRON**  
.....  
**PARTS CATALOG**



**6000/6001 ELITE SERIES**  
**SURGICAL TABLES**  
INCLUDING BATTERY MODELS



## INTRODUCTION

---

This manual contains the exploded views and replacement parts lists for the serviceable components of the SKYTRON Model 6000/6001 surgical tables.

Each serviceable part in these exploded views is identified by a reference number. Use this number to locate necessary part information in the parts list adjacent to the exploded view.

Always use the complete SKYTRON part number and description when ordering replacement parts.

Always use the complete table serial number (S.N.) when ordering replacement parts.

### Abbreviations

As Required .....	A/R
Optional .....	opt
Serial Number .....	S.N.
All Later S.N.'s .....	&L
All Prior S.N.'s .....	&P
Not Shown .....	NS

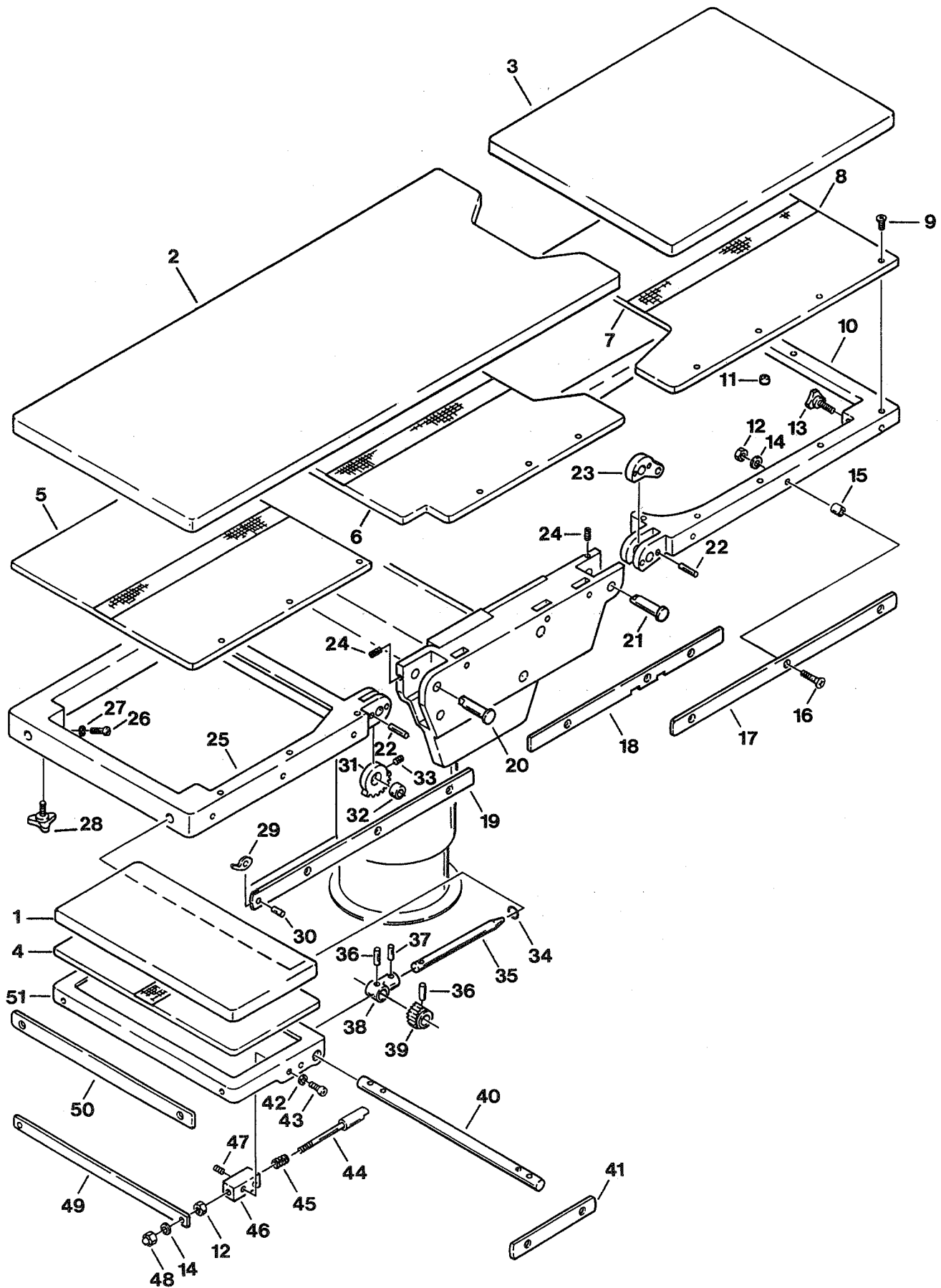
---

## TABLE OF CONTENTS

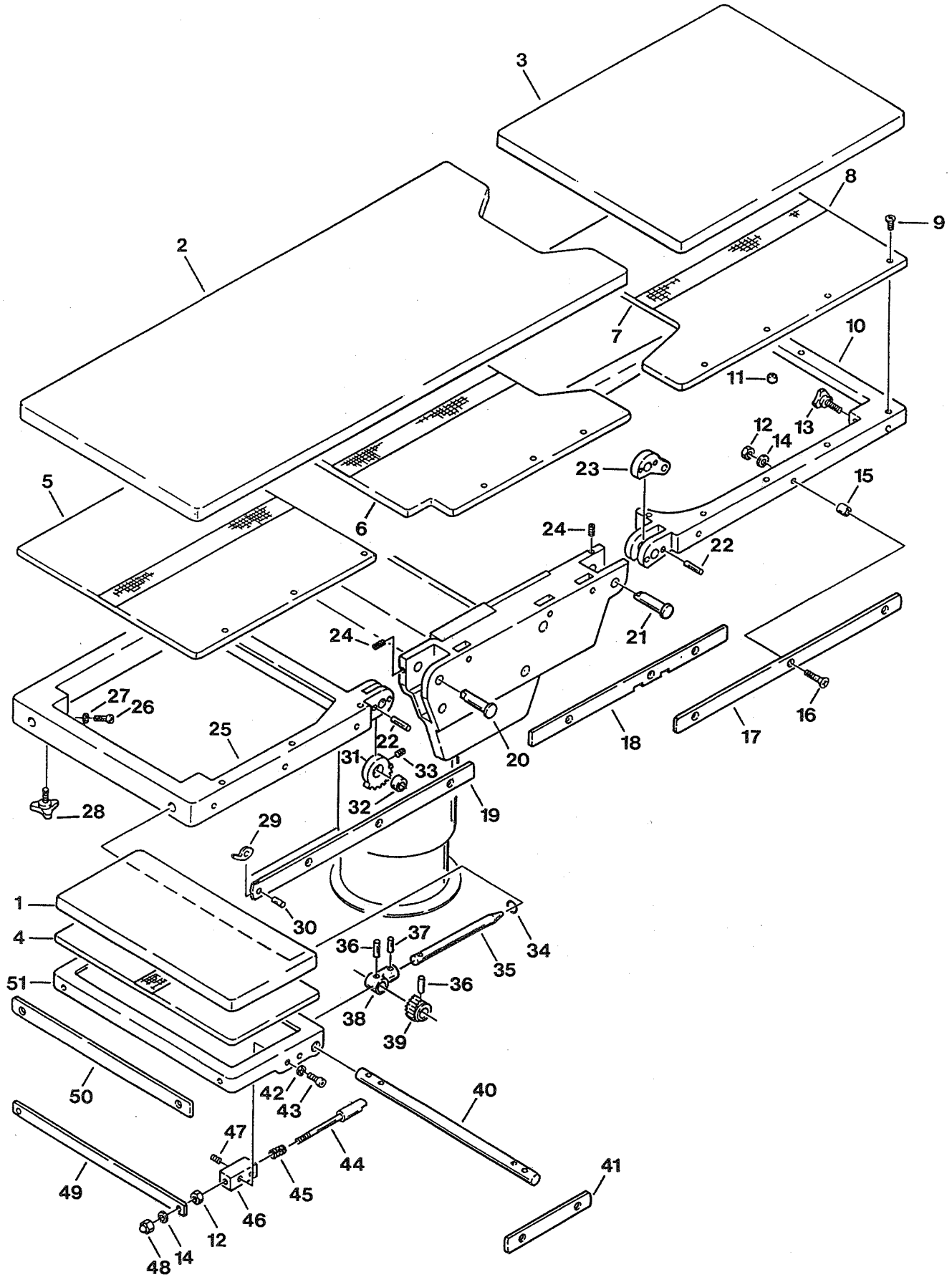
---

Figure	Page
1. Top & Side Frame Assemblies, 6001 .....	2
2. Top & Side Frame Assemblies, 6000 .....	6
3. Side Frame & Hydraulic Cylinders, 6001 .....	8
4. Side Frame & Hydraulic Cylinders, 6000 .....	12
5. Trendelenburg & Lateral Tilt Cylinders .....	16
6. Support Column Assembly .....	20
7. Electrical Components .....	22
8. Electrical Components, Battery Model .....	26
9. Hydraulic Valves & Fittings .....	32
10. Brake Systems .....	38
11. Base & Power Switch .....	42
12. Optional Kidney Lift Assembly .....	46
Special Tools & Maintenance Items .....	50

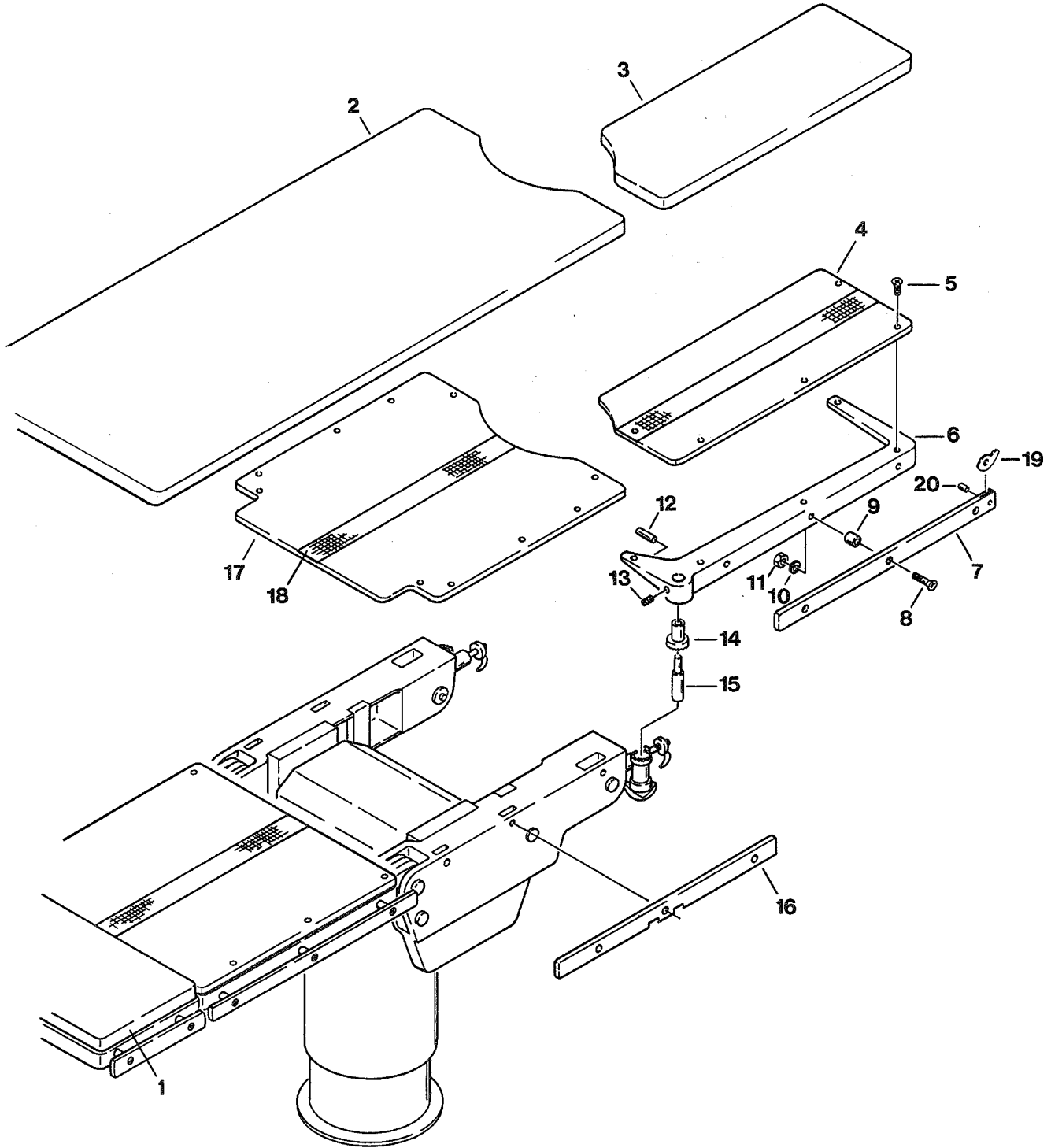
Although current at the time of publication, SKYTRON's policy of continuous development makes this manual subject to change without notice.



Item	Part No.	Description	Quantity	
			6001	6000
	1-010-22-P	PAD SET ..... opt		
	1-010-15-P	PAD SET ..... opt		opt
1	1-010-06-1P	PAD, head section ..... opt		opt
2	1-010-06-8P	PAD, back/seat section ..... opt		
3	1-010-06-7P	PAD, foot/leg section ..... opt		
4	D3-010-02	TOP, head section ..... 1	1	1
5	D3-010-03	TOP, back section ..... 1	1	1
6	D3-031-65	TOP, seat section, S.N. 6001-1990-7&L ..... 1		
	D3-030-02	TOP, seat section, S.N. 6001-1990-6&P ..... 1		
7	D3-030-03	TOP, foot/leg section ..... 1		
8	D3-010-18-H	VELCRO, hook (specify length) ..... A/R	A/R	A/R
9	D3-010-19	SCREW, phillips hd., ..... 29	29	29
10	D3-031-64	FRAME, foot/leg section, S.N.6001N-1992-1&L ..... 1	1	1
	D3-031-04	FRAME, foot/leg section, S.N.6001-1991-12&P ..... 1	1	1
11	D6-031-23	RUBBER STOP, foot/leg section ..... 1		
12	D6-010-13-1	NUT, M8 (plated) ..... A/R	A/R	A/R
	D6-032-34	NUT, M8 w/ lockwasher ..... A/R	A/R	A/R
13	D6-031-01	KNOB, locking ..... 2		
14	D6-010-09-1	WASHER, lock, M8 ..... A/R	A/R	A/R
15	D3-010-01	COLLAR, side rail ..... A/R	A/R	A/R
16	D6-010-12-1	SCREW, allen, M8x45 ..... A/R	A/R	A/R
17	D3-030-10	RAIL, side, foot/leg section, right ..... 1		
	D3-030-09	RAIL, side, foot/leg section, left ..... 1		
18	D3-030-08	RAIL, side, seat section, right ..... 1		
	D3-030-07	RAIL, side, seat section, left ..... 1		
19	D3-031-71	RAIL, side, back section, right, (470mm) S.N. 6001N-1993- -1584&L ..... 1		1
	D3-031-72	RAIL, side, back section, left, (470mm) S.N. 6001N-1993- -1584&L ..... 1		1
	D3-031-68	RAIL, side, back section, right, (440mm) S.N. 6001-1990-7 to 1993- -1583 . 1		1
	D3-010-33	RAIL, side, back section, right, S.N. 6001-1990-6&P ..... 1		1
	D3-031-69	RAIL, side, back section, left, (440mm) S.N. 6001-1990-7 to 1993- -1583 ... 1		1
	D3-010-34	RAIL, side, back section, left, S.N. 6001-1990-6&P ..... 1		1
20	D3-010-04	AXIS, back section ..... 2	2	2
21	D3-030-05	AXIS, foot/leg section ..... 2		
22	D6-010-03	PIN, tapered, spur gear, M7x40 ..... 8		4
23	D3-031-01	LEVER, axis, foot/leg ..... 2		
24	D6-010-50	SCREW, set, M6x15 ..... 4		2
25	D3-031-23-S	FRAME, back section, S.N. 6001N-1992-1&L ..... 1		1
	D3-031-23	FRAME, back section, S.N. 6001-1991-12&P ..... 1		1
26	D6-010-67-1	BOLT, allen, M5x15 (plated) ..... 2		2
27	D6-010-77-1	WASHER, lock, M5 (plated) ..... 2		2
28	D3-010-17	KNOB, retaining ..... 2		2
29	D3-010-43	STOP, rail, large ..... 4		4
	D3-010-42	STOP, rail, small ..... 4		4
30	D3-010-41	PIN, rail stop ..... 4		4
31	D3-031-35	GEAR, spur, back section ..... 2		2
32	D3-010-32	BUSHING, back section ..... 2		2
33	D6-010-50	SCREW, set, M6x15 ..... 2		2

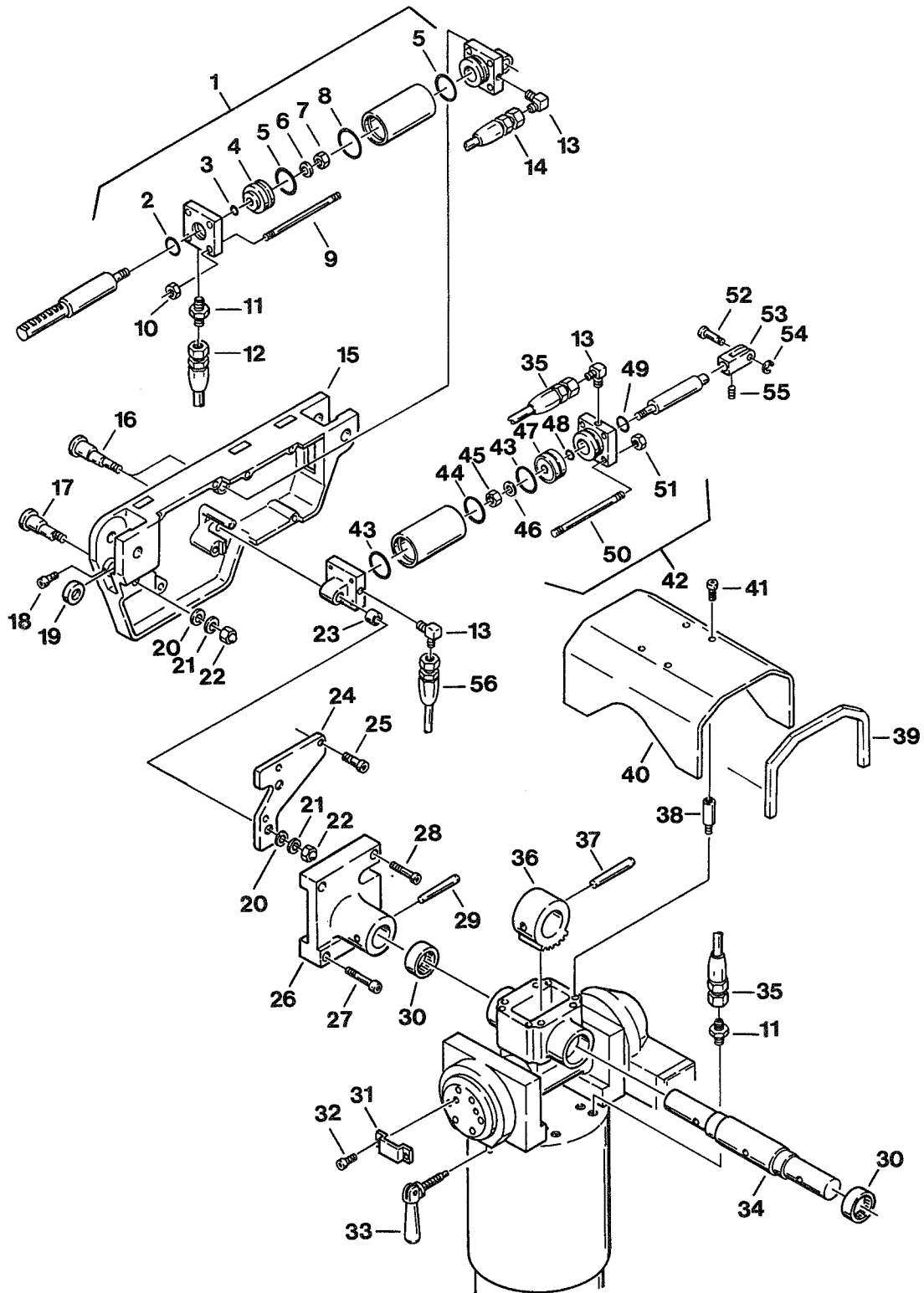


Item	Part No.	Description	Quantity	
			6001	6000
34	D4-010-14	O-RING, P-12 .....	2	2
	D3-010-45	HEAD SECTION PIVOT ASSY. (includes item 35 through 40) .....	A/R	A/R
35	D3-010-31	SHAFT, extension, head section .....	2	2
36	D6-010-15	PIN, tapered, M6x30 (plated) .....	4	4
	D6-060-05	PIN, roll, M5x25 .....	4	4
37	D6-010-01-1	PIN, tapered, M5x20 (plated) .....	2	2
	D6-050-33	PIN, roll, M5x20 .....	2	2
38	D3-010-29	TRUNNION, pivot shaft .....	2	2
39	D3-010-30	GEAR, ratchet, head section .....	2	2
40	D3-010-28	SHAFT, pivot, head section .....	1	1
41	D3-031-67	RAIL, side, head section .....	2	2
42	D6-010-40	WASHER, lock, M6 .....	6	6
43	D6-010-38	BOLT, allen, M6x15 .....	6	6
44	D3-010-27	PLUNGER, release .....	2	2
45	D3-010-26	SPRING, release .....	2	2
46	D3-031-25-1S	BLOCK, bearing, right, silver .....	1	1
	D3-031-25-1	BLOCK, bearing, right, beige .....	1	1
	D3-031-25-2S	BLOCK, bearing, left, silver .....	1	1
	D3-031-25-2	BLOCK, bearing, left, beige .....	1	1
47	D6-010-11	SCREW, set, M5x8 (plated) .....	2	2
48	D6-010-08	NUT, acorn .....	2	2
49	D3-010-24	RELEASE BAR, head section .....	1	1
50	D3-010-20	RAIL, accessory .....	1	1
51	D3-031-27-S	FRAME, head section, silver, S.N. 6001-1992-1&L .....	1	1
	D3-031-27	FRAME, head section, beige, S.N. 6001-1990-7&L .....	1	1
	D3-031-21	FRAME, head section, beige, S.N. 6001-1990-6&P .....	1	1

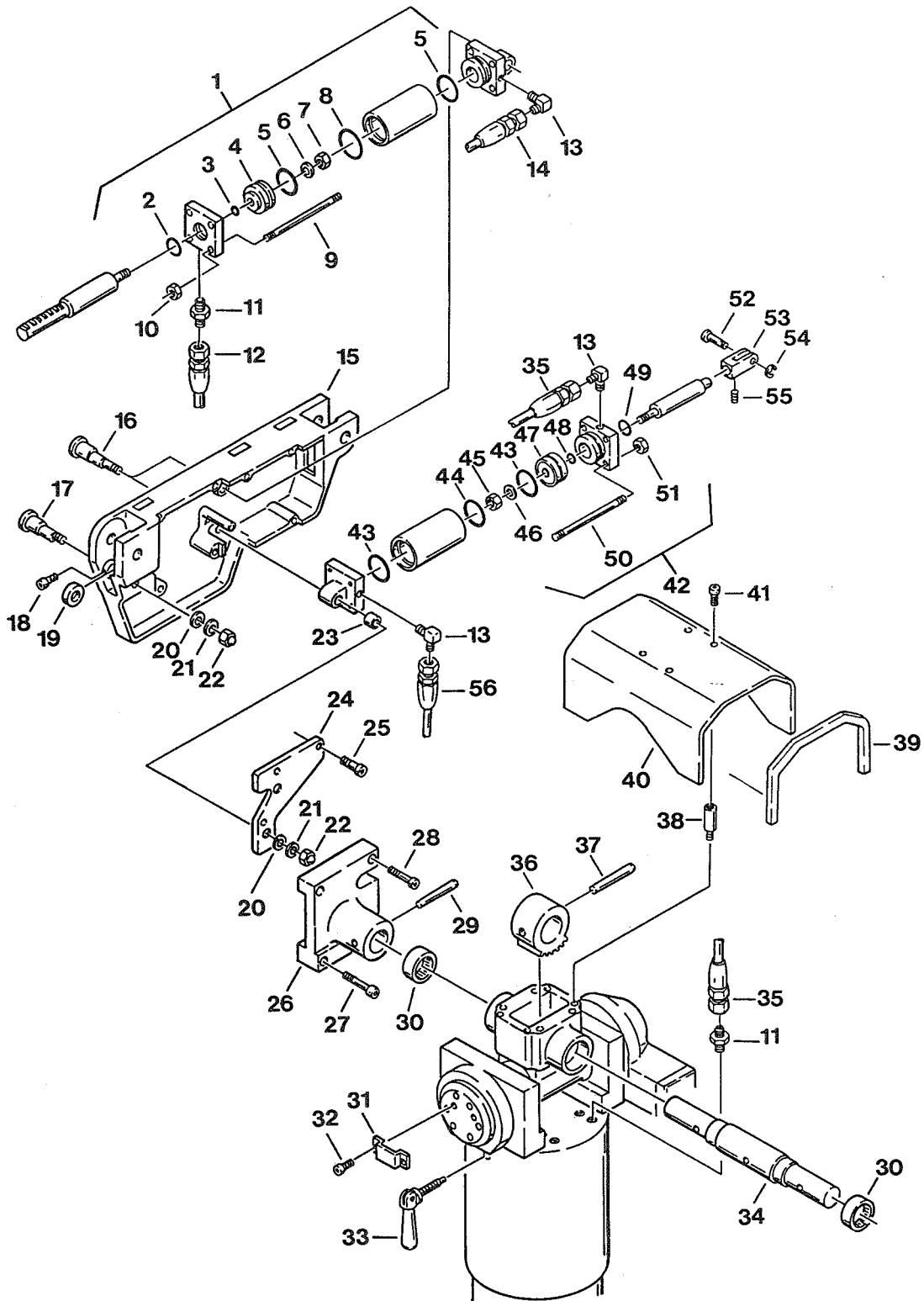




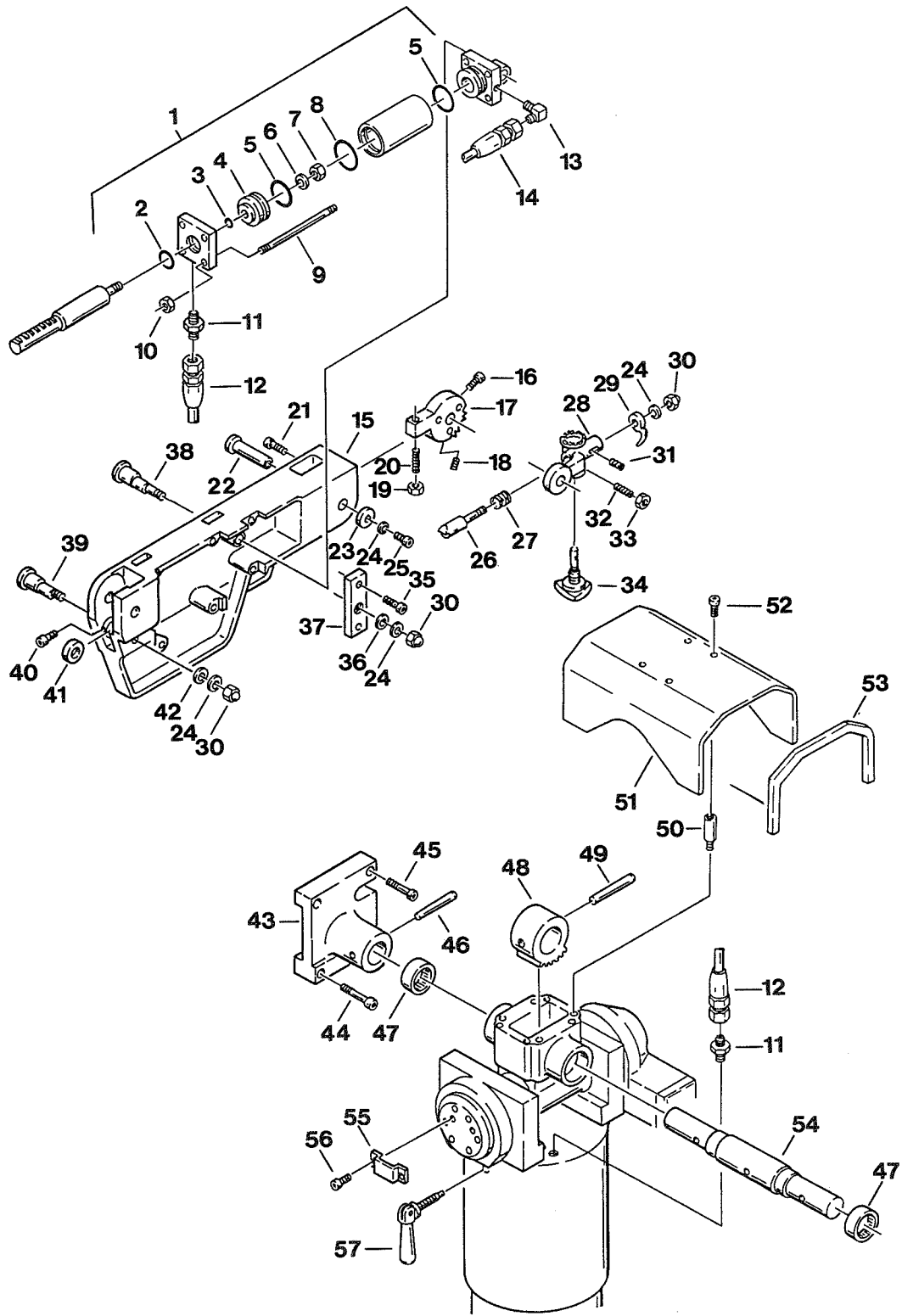
Item	Part No.	Description	Quantity	
			6001	6000
	1-010-15-P	PAD SET .....		opt
1	1-010-08-1P	PAD, head section .....		opt
2	1-010-08-8P	PAD, back/seat section .....		opt
3	1-010-08-6P	PAD, foot/leg section, right .....		opt
	1-010-08-5P	PAD, foot/leg section, left .....		opt
4	D3-020-04	TOP, foot/leg section, right .....		1
	D3-020-03	TOP, foot/leg section, left .....		1
5	D3-010-19	SCREW, top retaining (plated) .....		32
6	D3-031-08	FRAME, foot/leg section, right, silver S.N. 6000N-1993-8-86&L .....		1
	D3-031-06-S	FRAME, foot/leg section, right, silver S.N. 6000N-1993-8-85&P .....		1
	D3-031-06	FRAME, foot/leg section, right, beige .....		1
	D3-031-07	FRAME, foot/leg section, left, silver S.N. 6000N-1993-8-86&L .....		1
	D3-031-05-S	FRAME, foot/leg section, left, silver S.N. 6000N-1993-8-85&P .....		1
	D3-031-05	FRAME, foot/leg section, left, beige .....		1
7	D3-020-10	RAIL, side, foot/leg section, right .....		1
	D3-020-09	RAIL, side, foot/leg section, left .....		1
8	D6-010-12-1	SCREW, phillips, M8x35 (plated) .....		1
9	D3-010-01	COLLAR, side rail .....		20
10	D6-010-09-1	WASHER, lock, M8 (plated) .....		20
11	D6-010-13-1	NUT, M8 (plated) .....		20
	D6-032-34	NUT, M8 w/ lockwasher .....		A/R
12	D6-020-01	PIN, tapered, 6x50 .....		2
13	D6-010-50	SCREW, set, M6x15 .....		2
14	D3-020-19	CLUTCH, foot/leg .....		2
15	D3-031-14	AXIS, foot/leg S.N. 6000N-1993-8-86&L .....		2
	D3-020-20	AXIS, foot/leg S.N. 6000N-1993-8-85&P .....		2
16	D3-020-08	RAIL, side, seat section, right .....		1
	D3-020-07	RAIL, side, seat section, left .....		1
17	D3-020-02	TOP, seat section .....		1
18	D3-010-18	VELCRO (specify length) .....		A/R
19	D3-010-42	STOP, rail, small .....		2
	D3-010-43	STOP, rail, large .....		2
20	D3-010-41	PIN, rail stop .....		2



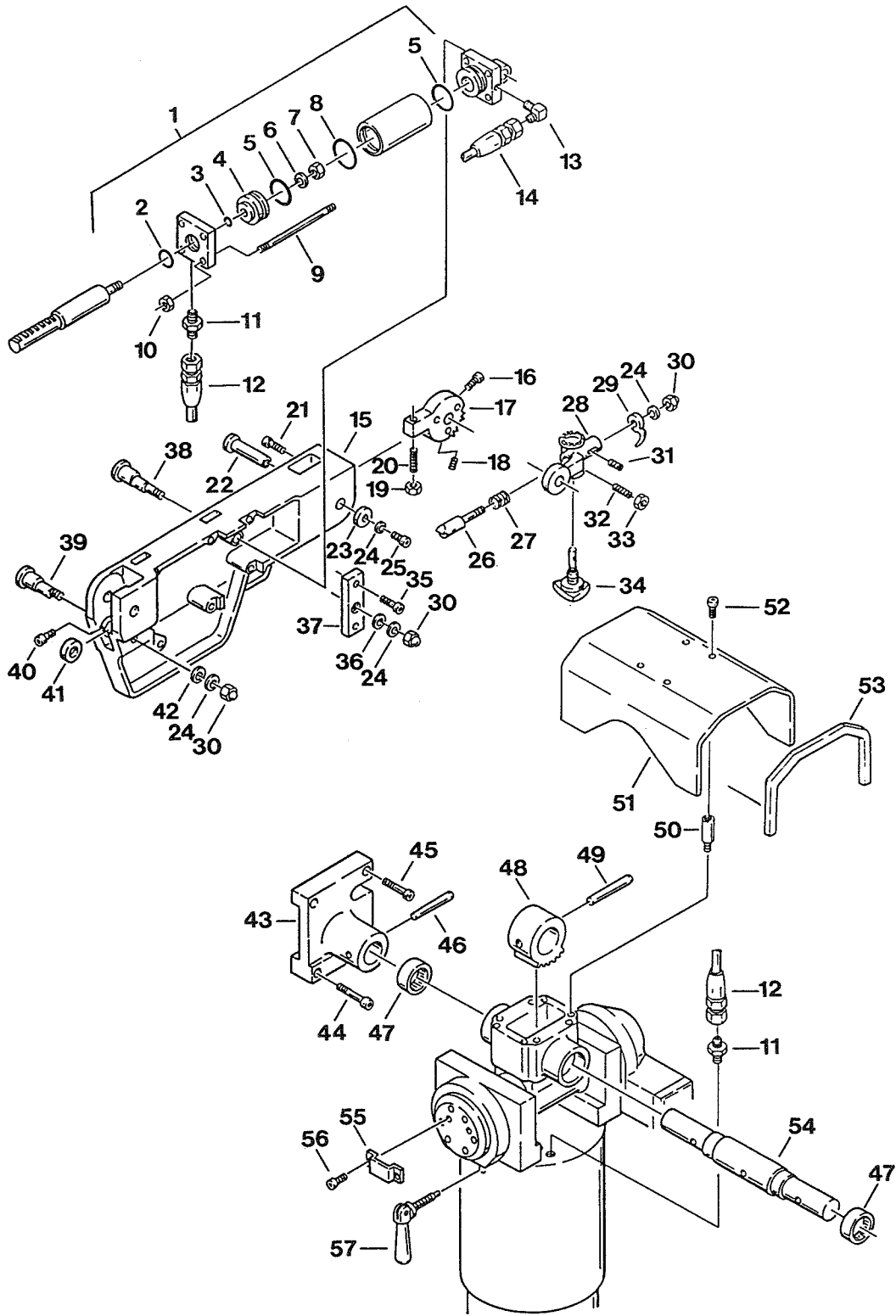
Item	Part No.	Description	Quantity	
			6001	6000
1	D4-032-01	CYLINDER ASSEMBLY, back section, S.N. 6001-1986-11&L .....	2	
	D4-031-36	CYLINDER ASSEMBLY, back section, S.N. 6001-1986-10&P .....	2	
2	D4-010-03	• O-RING, P-25 .....	1	
3	D4-010-02	• O-RING, P-14, S.N. 6001-1986-11&L .....	1	
	D4-060-04	• O-RING, P-15, S.N. 6001-1986-10&P .....	1	
4	D4-010-47	• PISTON, cylinder .....	1	
5	D4-010-04	• O-RING, P-44 .....	2	
6	D6-010-42	• WASHER, lock, M10 .....	1	
7	D6-010-43	• NUT, M10 .....	1	
8	D4-010-09	• O-RING, G-50 (fits in tube ID) .....	1	
	D4-010-04	• O-RING, P-44 (fits on end cap OD) .....	1	
9	D4-010-48	• STUD, cylinder .....	4	
10	D6-010-55	• NUT, M8 .....	4	
11	D4-031-06	FITTING, flexible hose .....		A/R
12	D4-031-01	HOSE, flexible, back section ram, left .....	1	
	D4-031-02	HOSE, flexible, back section ram, right .....	1	
13	D4-010-29	FITTING, hydraulic, 90° elbow .....		A/R
14	D4-031-03	HOSE, flexible, back section piston, left .....	1	
	D4-031-04	HOSE, flexible, back section piston, right .....	1	
15	D3-031-11	FRAME, side, left, beige .....	1	
	D3-031-11-S	FRAME, side, left, silver .....	1	
	D3-031-12	FRAME, side, right, beige .....	1	
	D3-031-12-S	FRAME, side, right, silver .....	1	
16	D3-010-37	AXIS, eccentric cam, cylinder .....	4	
17	D3-010-38	AXIS, eccentric cam, bearing .....	2	
18	D6-010-73-1	BOLT, allen, M6x12 (plated) .....	2	
19	D3-010-36	BEARING, support .....	2	
20	D6-010-72	WASHER, flat, M8 (plated) .....	6	
21	D6-010-09-1	WASHER, lock, M8 (plated) .....	6	
22	D6-010-08	NUT, acorn, M8 (plated) .....	6	
23	D6-030-04	SPACER .....	4	
24	D3-031-20	BRACE, side frame, left, beige .....	1	
	D3-031-20-S	BRACE, side frame, left, silver .....	1	
	D3-031-19	BRACE, side frame, right, beige .....	1	
	D3-031-19-S	BRACE, side frame, right, silver .....	1	
25	D6-010-17-1	BOLT, allen, M8x15 (plated) .....	8	
26	D3-031-17-S	INNER CASTING, side frame, left, S.N.6001N-1992-1&L .....	1	
	D3-031-17-1	INNER CASTING, side frame, left, S.N.6001-1986-1 to S.N.6001-1991-12 .	1	
	D3-031-17	INNER CASTING, side frame, left, S.N.6001-1985-12&P .....	1	
	D3-031-18-S	INNER CASTING, side frame, right, S.N.6001N-1992-1&L .....	1	
	D3-031-18-1	INNER CASTING, side frame, right, S.N.6001-1986-1 to S.N.6001-1991-12	1	
	D3-031-18	INNER CASTING, side frame, right, S.N.6001-1985-12&P .....	1	
27	D6-010-10-2	BOLT, allen, M10x45 (plated) .....	4	
28	D6-010-71-1	BOLT, allen, M10x40 (plated) .....	4	
29	D6-010-06	PIN, tapered, 12x70 .....	2	
30	D2-010-41	BEARING, trendelenburg axis .....	2	
31	D2-030-01	BRACKET, pendant control .....	1	
32	D6-031-02	SCREW, phillips hd. ....	2	
33	D2-010-42	HANDLE, table top locking .....	1	



Item	Part No.	Description	Quantity	
			6001	6000
34	D2-010-40	AXIS, trendelenburg .....	1	
35	D4-031-05	HOSE, flexible, foot/leg section ram, left .....	1	
	D4-031-04	HOSE, flexible, foot/leg section ram, right .....	1	
36	D2-032-32	GEAR, trendelenburg, S.N. 6001-1991-7&L .....	1	
	D2-010-39	GEAR, trendelenburg, S.N. 6001-1991-6&P .....	1	
37	D6-010-07	PIN, tapered, M12x90 .....	1	
38	D2-010-38	STAND-OFF, cover .....	4	
39	D2-031-13	END CAP, cover, right .....	1	
40	D2-031-37	COVER, flexible hose .....	1	
41	D6-010-70-1	BOLT, allen, M5x10 (plated) .....	4	
42	D4-032-02	CYLINDER ASSEMBLY, leg section .....	2	
	D4-031-16	CYLINDER ASSEMBLY, leg section .....	2	
43	D4-010-54	* O-RING, P-34 .....	2	
44	D4-010-54	* O-RING, P-34, S.N. 6001-1986-10&L .....	1	
	D4-010-55	* O-RING, G-40, S.N. 6001-1986-9&P .....	1	
45	D6-010-43	* NUT, M10 .....	1	
46	D4-010-42	* WASHER, lock, M10 .....	1	
47	D4-031-15	* PISTON, cylinder .....	1	
48	D4-010-02	* O-RING, P-14 .....	1	
	D4-060-04	* O-RING, P-15 .....	1	
49	D4-010-03	* O-RING, P-25 .....	1	
50	D4-010-48	* STUD, cylinder .....	4	
51	D6-010-55	* NUT, M8 .....	4	
52	D6-030-03	PIN, clevis .....	2	
53	D6-031-19	CLEVIS .....	2	
54	D6-030-01	CIRCLIP .....	2	
55	D6-010-34	SCREW, set, M6x6 .....	8	
56	D4-031-07	HOSE, flexible, foot/leg section piston, left .....	1	
	D4-031-05	HOSE, flexible, foot/leg section piston, right .....	1	

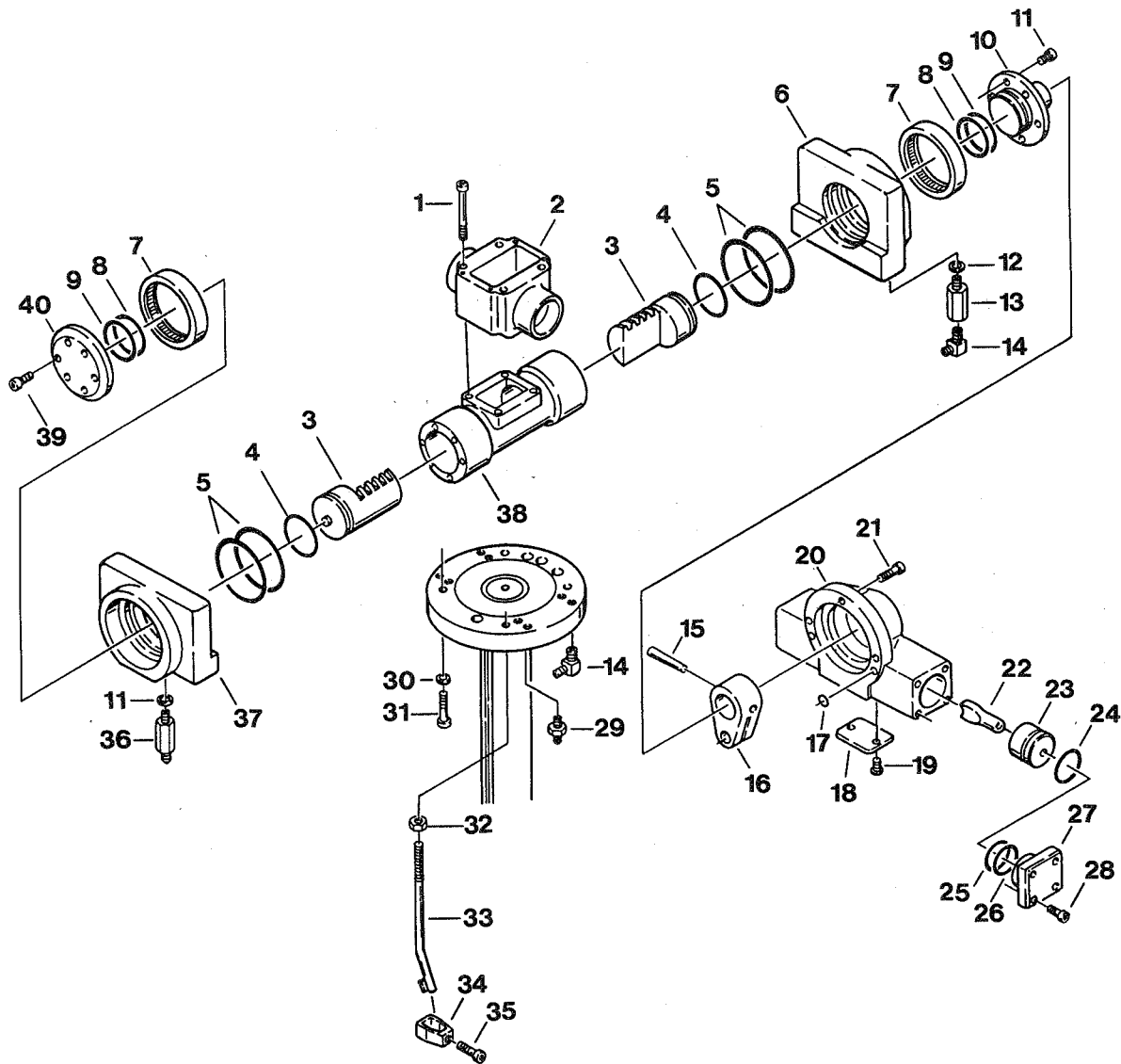


Item	Part No.	Description	Quantity	
			6001	6000
1	D4-032-01	CYLINDER ASSEMBLY, back section, S.N. 6000-1986-11&L.....		2
	D4-031-36	CYLINDER ASSEMBLY, back section, S.N. 6000-1986-10&P .....		2
2	D4-010-03	• O-RING, P-25 .....		1
3	D4-010-02	• O-RING, P-14, S.N. 6001-1986-11&L .....		1
	D4-060-04	• O-RING, P-15, S.N. 6001-1986-10&P .....		1
4	D4-010-47	• PISTON, cylinder .....		1
5	D4-010-04	• O-RING, P-44 .....		2
6	D6-010-42	• WASHER, lock, M10 .....		1
7	D6-010-43	• NUT, M10 .....		1
8	D4-010-09	• O-RING, G-50 (fits in tube ID) .....		1
	D4-010-04	• O-RING, P-44 (fits on end cap OD) .....		1
9	D4-010-48	• STUD, cylinder .....		4
10	D6-010-55	• NUT, M8 .....		4
11	D4-031-06	FITTING, flexible hose .....		A/R
12	D4-031-01	HOSE, flexible, back section ram, left .....		1
	D4-031-02	HOSE, flexible, back section ram, right .....		1
13	D4-010-29	FITTING, hydraulic, 90° elbow .....		A/R
14	D4-031-03	HOSE, flexible, back section piston, left .....		1
	D4-031-04	HOSE, flexible, back section piston, right .....		1
15	D3-031-30	FRAME, side, left, beige .....		1
	D3-031-30-S	FRAME, side, left, silver .....		1
	D3-031-31	FRAME, side, right, beige .....		1
	D3-031-31-S	FRAME, side, right, silver .....		1
16	D6-010-51-1	BOLT, allen, M6x10 (plated) .....		2
17	D3-021-21	GEAR, ratchet, left .....		1
	D3-021-21-1	GEAR, ratchet, right .....		1
18	D6-020-11	SCREW, set, M6 .....		2
19	D6-010-56-1	NUT, M10, 1.5 pitch (plated) .....		2
20	D6-020-05	BOLT, adjustment, M10x40 (plated) .....		2
21	D6-010-30-1	BOLT, allen, M6x20 (plated) .....		6
22	D3-020-32	AXIS, pivot, leg section .....		2
23	D6-020-03	WASHER, ratchet (plated) .....		2
24	D6-010-09-1	WASHER, lock, M8 (plated) .....		6
25	D6-010-52-1	BOLT, allen, M8x20 (plated) .....		2
26	D3-020-28	PAWL, ratchet .....		2
27	D3-020-27	SPRING, ratchet .....		2
28	D3-031-09	SUPPORT BRACKET, leg section, left S.N. 6000N-1993-8-86&L .....		1
	D3-020-22	SUPPORT BRACKET, leg section, left S.N. 6000N-1993-8-85&P .....		1
	D3-031-10	SUPPORT BRACKET, leg section, right S.N. 6000N-1993-8-86&L .....		1
	D3-020-23	SUPPORT BRACKET, leg section, right S.N. 6000N-1993-8-85&P .....		1
29	D3-020-24	HANDLE, ratchet .....		2
30	D6-010-08	NUT, acorn, M8 (plated) .....		6
31	D6-010-11	SCREW, set, M5x8 (plated) .....		2
32	D6-020-02	SCREW, set, tipped (plated) .....		2
33	D6-010-13-1	NUT, M8 (plated) .....		2
34	D3-031-26	HANDLE, clutch .....		2
35	D6-010-54-1	BOLT, allen, M8x30 (plated) .....		4
36	D6-020-04	WASHER, special (plated) .....		2

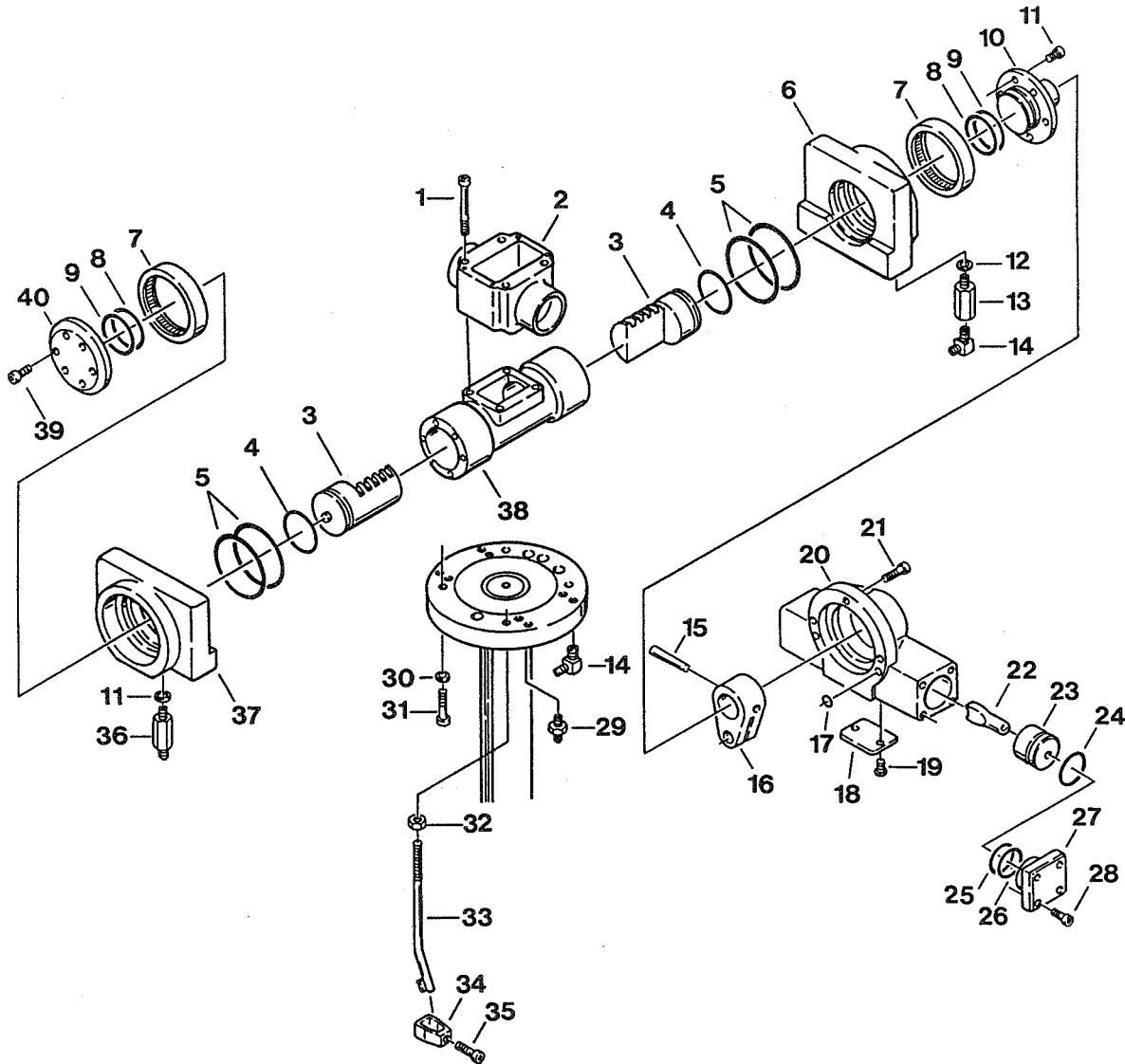




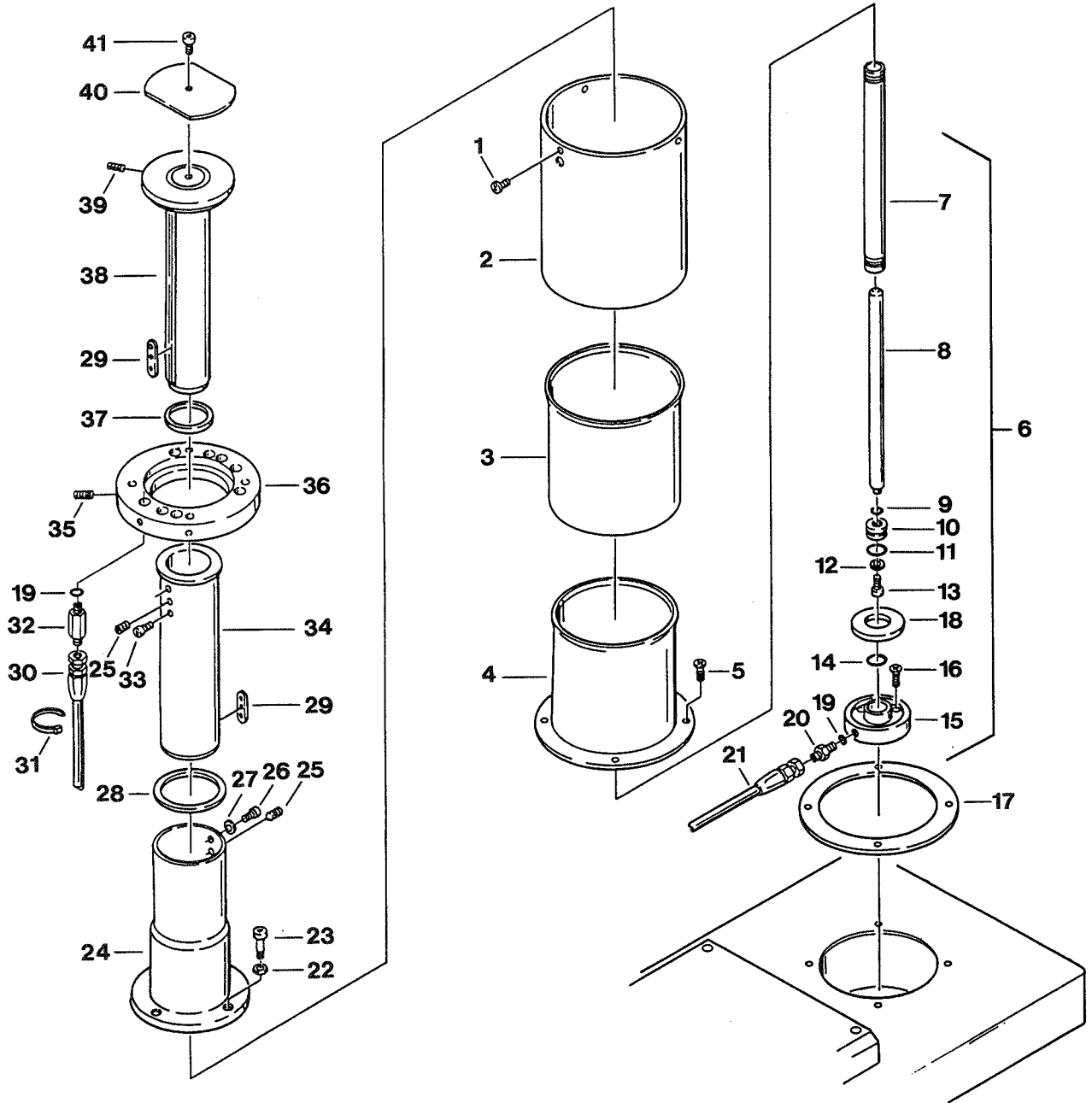
Item	Part No.	Description	Quantity	
			6001	6000
37	D3-031-29	BRACE, side frame, left, beige .....		2
	D3-031-29-S	BRACE, side frame, left, silver .....		2
38	D3-010-37	AXIS, eccentric cam, cylinder .....		4
39	D3-010-38	AXIS, eccentric cam, bearing .....		2
40	D6-010-73-1	BOLT, allen, M6x12 (plated) .....		2
41	D3-010-36	BEARING, support .....		2
42	D6-010-72	WASHER, flat, M8 (plated) .....		6
43	D3-031-33-S	INNER CASTING, side frame, left, S.N. 6000N-1992-1&L .....		1
	D3-031-33-1	INNER CASTING, side frame, left, S.N. 6000-1986-1 to S.N. 6001-1991-12 .....		1
	D3-031-33	INNER CASTING, side frame, left, S.N. 6000-1985-12&P .....		1
	D3-031-34-S	INNER CASTING, side frame, right, S.N. 6000N-1992-1&L .....		1
	D3-031-34-1	INNER CASTING, side frame, right, S.N. 6000-1986-1 to S.N. 6001-1991-12 .....		1
	D3-031-34	INNER CASTING, side frame, right, S.N. 6000-1985-12&P .....		1
44	D6-010-10-2	BOLT, allen, M10x45 (plated) .....		4
45	D6-010-71-1	BOLT, allen, M10x40 (plated) .....		4
46	D6-010-06	PIN, tapered, 12x70 .....		2
47	D2-010-41	BEARING, trendelenburg axis .....		2
48	D2-032-32	GEAR, trendelenburg, S.N. 6000-1991-7&L .....		1
	D2-010-39	GEAR, trendelenburg, S.N. 6000-1991-6&P .....		1
49	D6-010-07	PIN, tapered, M12x90 .....		1
50	D2-010-38	STAND-OFF, cover .....		4
51	D2-031-37	COVER, flexible hose .....		1
52	D6-010-70-1	BOLT, allen, M5x10 (plated) .....		4
53	D2-031-13	END CAP, cover, right .....		1
54	D2-010-40	AXIS, trendelenburg .....		1
55	D2-030-01	BRACKET, pendant control .....		1
56	D6-031-02	SCREW, phillips hd. ....		2
57	D2-010-42	HANDLE, table top locking .....		1



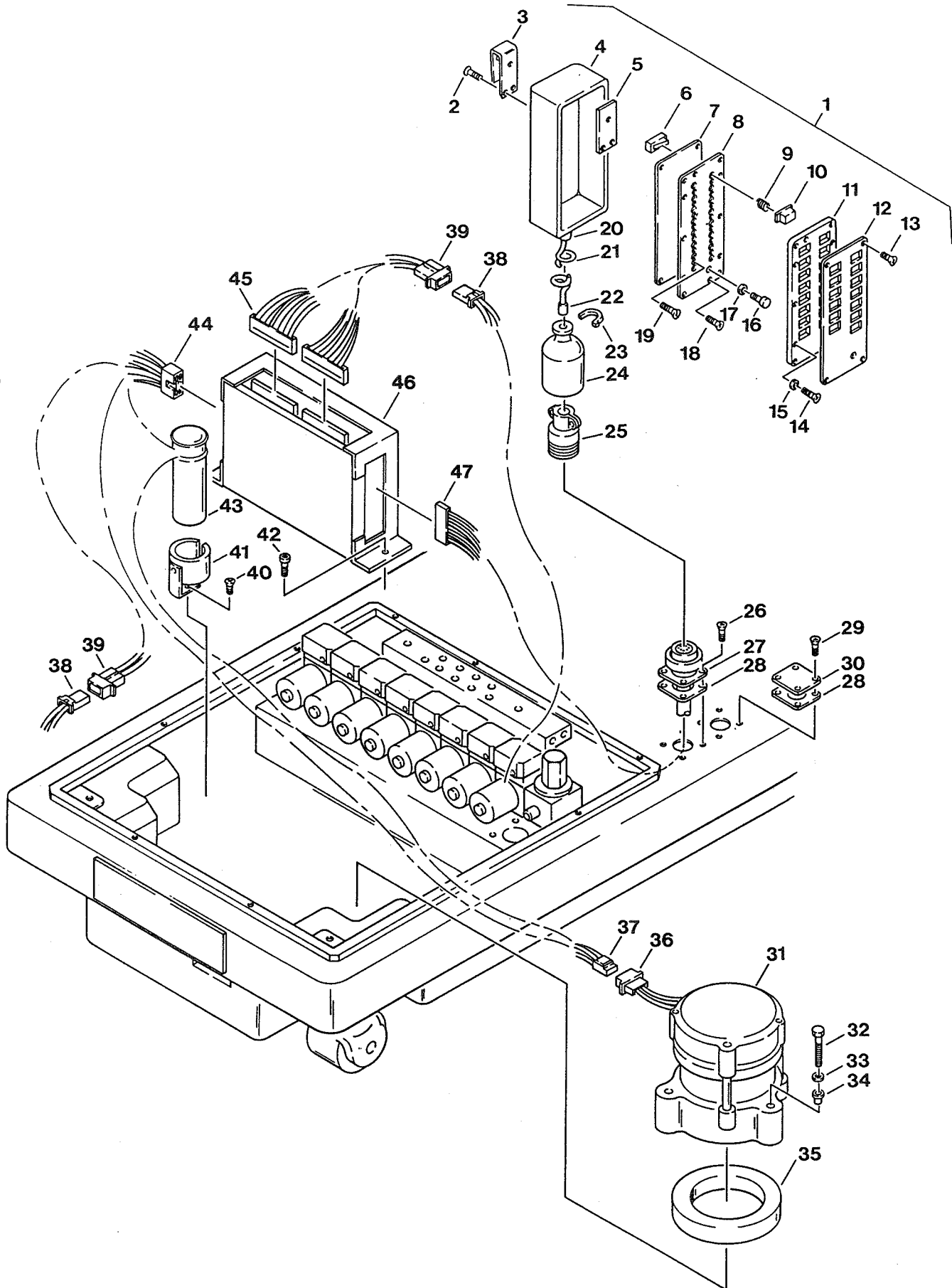
Item	Part No.	Description	Quantity	
			6001	6000
1	D6-010-29	BOLT, allen, M10x85 .....	4	4
2	D2-032-16	CASTING, trend. bearing, S.N. 6000N-1992-1&L .....	1	1
	D2-031-22	CASTING, trend. bearing, S.N. 6000-1991-12&P .....	1	1
3	D2-032-31	PISTON, trendelenburg, S.N. 6000-1991-7&L .....	2	2
	D2-032-41	PISTON, trendelenburg, S.N. 6000-1991-6&P .....	2	2
4	D4-010-06	O-RING, P-60 .....	4	4
5	D4-010-07	O-RING, IBP-95 .....	4	4
6	D2-032-15	PIVOT BLOCK, lateral tilt, tail, S.N. 6000N-1992-1&L .....	1	1
	D2-031-03-1	PIVOT BLOCK, lateral tilt, tail, S.N. 6000-1986-8 to S.N. 6000-1991-12 .....	1	1
	D2-031-03	PIVOT BLOCK, lateral tilt, tail, S.N. 6000-1986-7&P .....	1	1
7	D2-032-14	BUSHING, graphite, S.N. 6000N-1992-1&L .....	2	2
	D2-031-05	BUSHING, graphite, S.N. 6000-1986-8 to S.N. 6000-1991-12 .....	2	2
	D2-031-06	BUSHING, graphite, S.N. 6000-1986-7&P .....	2	2
8	D4-010-06	O-RING, P-60, S.N. 6000-1987-6&L .....	2	2
	D4-010-10	O-RING, G-65, S.N. 6000-1987-5&P .....	2	2
9	D4-032-80	O-RING, S-70, S.N. 6001-1992-9-1454&L .....	2	2
10	D2-032-13-1	CAP, tail, S.N. 6000N-1992-1&L .....	1	1
	D2-031-26	CAP, tail, S.N. 6000-1986-1 to S.N. 6000-1991-12 .....	1	1
	D2-010-26	CAP, tail, S.N. 6000-1985-12&P .....	1	1
11	D6-010-30	BOLT, allen, M6x20 .....	6	6
12	D4-010-32	PACKING, copper .....	A/R	A/R
13	D4-010-99	FITTING, plumbing .....	A/R	A/R
14	D4-010-29	FITTING, hydraulic, 90° elbow .....	A/R	A/R
15	D6-031-28	PIN, tapered, 12x55, S.N. 6000N-1992-1&L .....	1	1
	D6-011-05	PIN, tapered, 12x60, S.N. 6000-1986-1 to S.N. 6000-1991-12 .....	1	1
	D6-010-06	PIN, tapered, 12x70, S.N. 6000-1985-12&P .....	1	1
16	D2-032-12-1	LEVER, lateral tilt motion, S.N. 6000N-1992-1&L .....	1	1
	D2-031-27	LEVER, lateral tilt motion, S.N. 6000-1986-1 to S.N. 6000-1991-12 .....	1	1
	D2-010-27	LEVER, lateral tilt motion, S.N. 6000-1985-12&P .....	1	1
17	D4-010-01	O-RING, P-8 .....	2	2
18	D2-032-10	PLATE, inspection cover, S.N. 6000N-1992-1&L .....	1	1
	D2-010-29	PLATE, inspection cover, S.N. 6000-1991-12&P .....	1	1
	D2-032-47	PLATE, inspection cover, battery model .....	1	
19	D6-010-16-1	SCREW, phillips hd., M5x6 (stainless) .....	2	2
20	D2-032-06-1	HOUSING, lateral tilt, S.N. 6000N-1992-1&L .....	1	1
	D2-031-30-1	HOUSING, lateral tilt, S.N. 6000-1986-1 to S.N. 6000-1991-12 .....	1	1
	D2-031-30	HOUSING, lateral tilt, S.N. 6000-1985-12&P .....	1	1
21	D6-010-45	BOLT, allen, M10x30 .....	3	3
	D6-010-31	BOLT, allen, M10x25 .....	3	3
22	D2-032-07-1	ROD, piston, S.N. 6000N-1992-1&L .....	2	2
	D2-031-31	ROD, piston, S.N. 6000-1986-1 to S.N. 6000-1991-12 .....	2	2
	D2-010-31	ROD, piston, S.N. 6000-1985-12&P .....	2	2
23	D2-032-08-1	PISTON, lateral tilt, S.N. 6000N-1992-1&L .....	2	2
	D2-031-32	PISTON, lateral tilt, S.N. 6000-1986-1 to S.N. 6000-1991-12 .....	2	2
	D2-010-32	PISTON, lateral tilt, S.N. 6000-1985-12&P .....	2	2
24	D4-060-24	O-RING, P-49, S.N. 6000N-1992-1&L .....	2	2
	D4-010-04	O-RING, P-44, S.N. 6000-1986-1 to S.N. 6000-1991-12 .....	2	2
	D4-010-05	O-RING, P-50A, S.N. 6000-1985-12&P .....	2	2



Item	Part No.	Description	Quantity	
			6001	6000
25	D4-060-24	O-RING, P-49, S.N. 6000N-1992-1&L .....	2	2
	D4-031-31	O-RING, G-45, S.N. 6000-1986-1 to S.N. 6000-1991-12 .....	2	2
	D4-010-13	O-RING, G-55, S.N. 6000-1985-12&P .....	2	2
26	D4-032-79	O-RING, S-55, S.N. 6001-1992-9-1454&L .....	2	2
27	D2-032-09-1	CAP, lateral tilt, S.N. 6000N-1992-1&L .....	2	2
	D2-031-33	CAP, lateral tilt, S.N. 6000-1986-1 to S.N. 6000-1991-12 .....	2	2
	D2-010-33	CAP, lateral tilt, S.N. 6000-1985-12&P .....	2	2
28	D6-010-33-1	BOLT, allen, M8x25 (plated) .....	8	8
29	D4-031-06	FITTING, flexible hose .....	A/R	A/R
30	D6-010-21	WASHER, lock, M12 .....	2	2
31	D6-010-10-6	BOLT, allen, M12x45 .....	2	2
32	D6-010-10-7	NUT, M12 .....	2	2
33	D2-010-43	BAR, hose guide .....	2	2
34	D2-010-45	HOLDER, hose .....	2	2
35	D6-010-10-8	BOLT, allen, M5x18 .....	2	2
36	D4-010-33	FITTING, flexible hose, long .....	A/R	A/R
37	D2-031-09	PIVOT BLOCK, lateral tilt, head, S.N. 6000N-1992-1&L .....	1	1
	D2-031-04-1	PIVOT BLOCK, lateral tilt, head, S.N. 6000-1986-8 to S.N. 6000-1991-12 ...	1	1
	D2-031-04	PIVOT BLOCK, lateral tilt, head, S.N. 6000-1986-7&P .....	1	1
38	D2-032-33	HOUSING, trendelenburg, S.N. 6000N-1992-1&L .....	1	1
	D2-031-36	HOUSING, trendelenburg, S.N. 6000-1991-12&P .....	1	1
39	D6-010-30-1	BOLT, allen, M6x20 (plated) .....	6	6
40	D2-031-34	CAP, head, trend. cyl., S.N. 6000N-1992-1&L .....	1	1
	D2-030-05	CAP, head, trend. cyl., S.N. 6000-1991-12&P .....	1	1

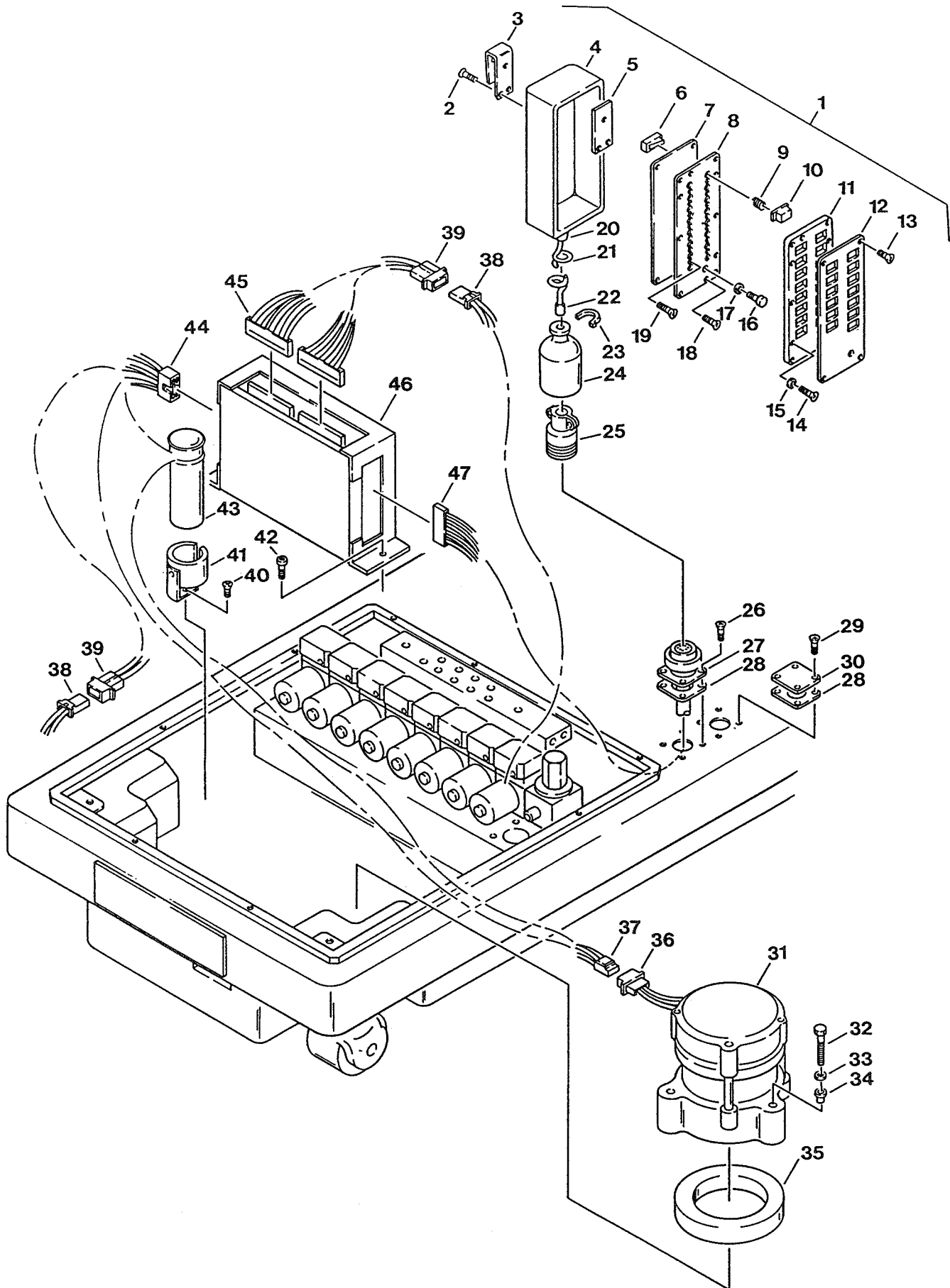


Item	Part No.	Description	Quantity	
			6001	6000
1	D6-010-16-1	SCREW, phillips, M5x6 (stainless) .....	3	3
2	D2-010-03-1	SHROUD, elevation, exterior .....	1	1
3	D2-010-04-1	SHROUD, elevation, middle .....	1	1
4	D2-031-07	SHROUD, elevation, inner, S.N. 6000N-1992-1&L .....	1	1
	D2-010-05-1	SHROUD, elevation, inner, S.N. 6000-1991-12&P .....	1	1
5	D6-010-19-1	SCREW, phillips, M5x10 (plated) .....	4	4
6	D4-031-57	ELEVATION CYLINDER ASSEMBLY .....	1	1
7	D2-010-06	• TUBE, elevation cylinder .....	1	1
8	D2-010-07	• ROD, elevation cylinder .....	1	1
9	D4-010-14	• O-RING, P-12 .....	1	1
10	D2-010-08	• PISTON, elevation cylinder (30mm) .....	1	1
11	D4-010-12	• O-RING, P-24 (30mm piston) .....	1	1
12	D2-010-09	• WASHER, elevation piston .....	1	1
13	D6-010-38	• BOLT, allen, M6x15 .....	1	1
14	D4-010-15	• O-RING, AN6227-24 (30mm piston) .....	1	1
15	D2-010-11-1	• SAUCER, elevation cylinder .....	1	1
16	D6-010-18	BOLT, cylinder saucer mtg.,M8x25 .....	2	2
17	D2-010-12-1	GASKET, shroud .....	1	1
18	D2-010-10	CUSHION, rubber dropping .....	1	1
19	D4-010-32	PACKING, copper .....	A/R	A/R
20	D4-010-31	FITTING, flexible hose, short .....	1	1
21	D4-010-23	HOSE, flexible, elevation cylinder (240mm) .....	1	1
22	D6-010-21	WASHER, lock, M12 .....	3	3
23	D6-010-22	BOLT, allen, M12x35 .....	3	3
24	D2-031-08	HOLDER, slider, S.N. 6000N-1992-1&L .....	1	1
	D2-010-13-1	HOLDER, slider, S.N. 6000-1991-12&P .....	1	1
25	D2-010-14	BOSS, slider .....	2	2
26	D6-010-17	BOLT, allen, M8x15 .....	2	2
27	D6-010-09	WASHER, lock, M8 .....	2	2
28	D2-010-15	STOPPER, slider, large .....	1	1
29	D2-010-16	KEY, slider .....	2	2
30	D4-010-21-1	HOSE, flexible, 1010mm .....	A/R	A/R
	D4-010-21-3	HOSE, flexible, 980mm .....	A/R	A/R
	D4-010-21	HOSE, flexible, 1030mm .....	A/R	A/R
	D4-010-21-6	HOSE, flexible, 1110mm .....	A/R	A/R
31	D6-010-24	TIE, cable .....	A/R	A/R
32	D4-010-33	FITTING, flexible hose, long .....	3	3
33	D6-010-25	BOLT, allen, M8x6 .....	2	2
34	D2-010-17	SLIDER, large .....	1	1
35	D6-010-26	STOPPER, rotation, M10x20 .....	2	2
36	D2-031-10	RING, elevation clamp, S.N. 6000N-1992-1&L .....	1	1
	D2-031-02	RING, elevation clamp, S.N. 6000-1991-12&P .....	1	
	D2-031-01	RING, elevation clamp, S.N. 6000-1991-12&P .....		1
37	D2-010-19	STOPPER, slider, small .....	1	1
38	D2-031-20	SLIDER, small .....	1	1
39	D6-010-27	SCREW, set, M10x15 .....	2	2
40	D2-010-21	PLATE, elevation slider head .....	1	1
41	D6-010-28	BOLT, allen, M5x6 .....	1	1

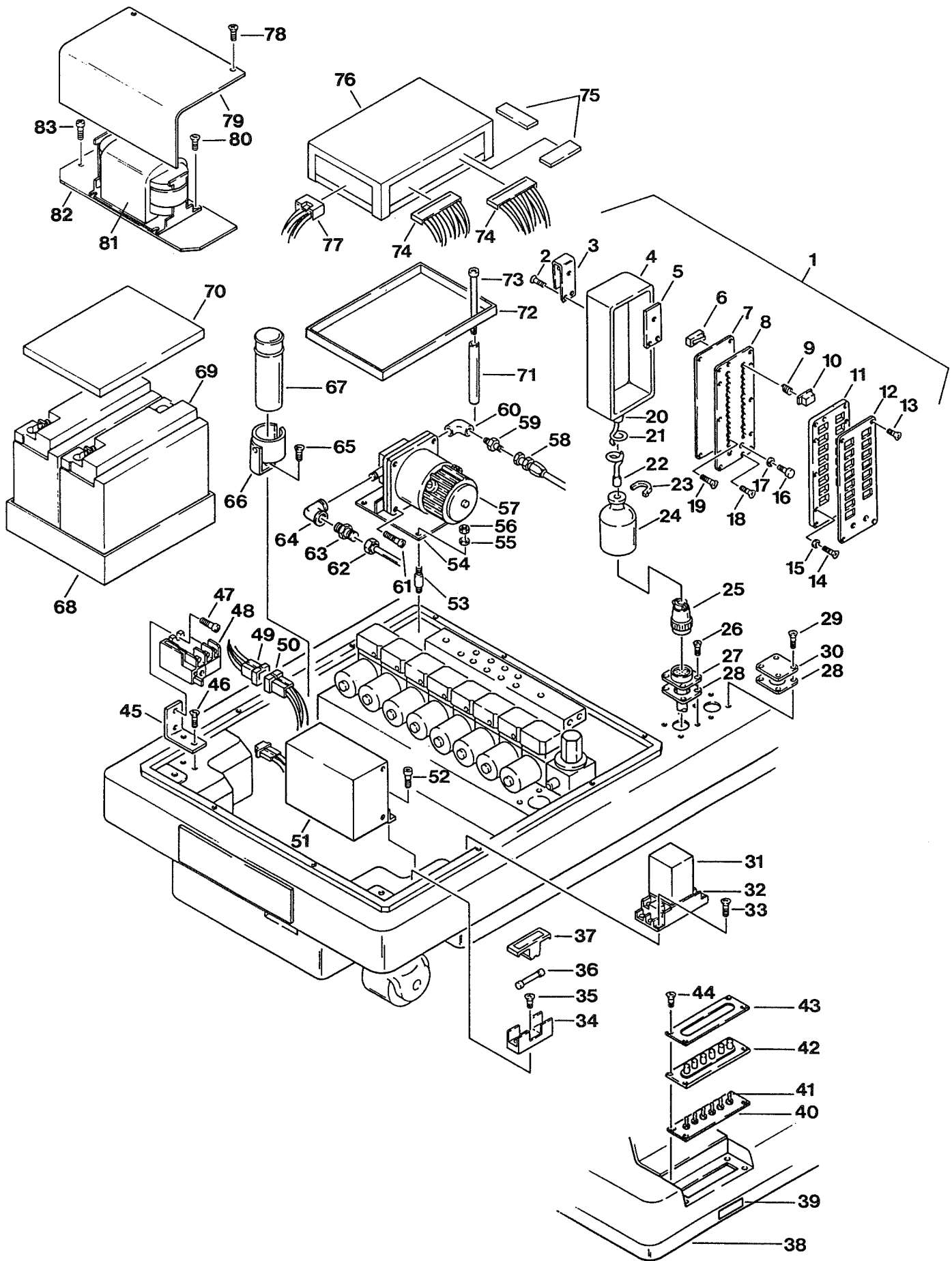




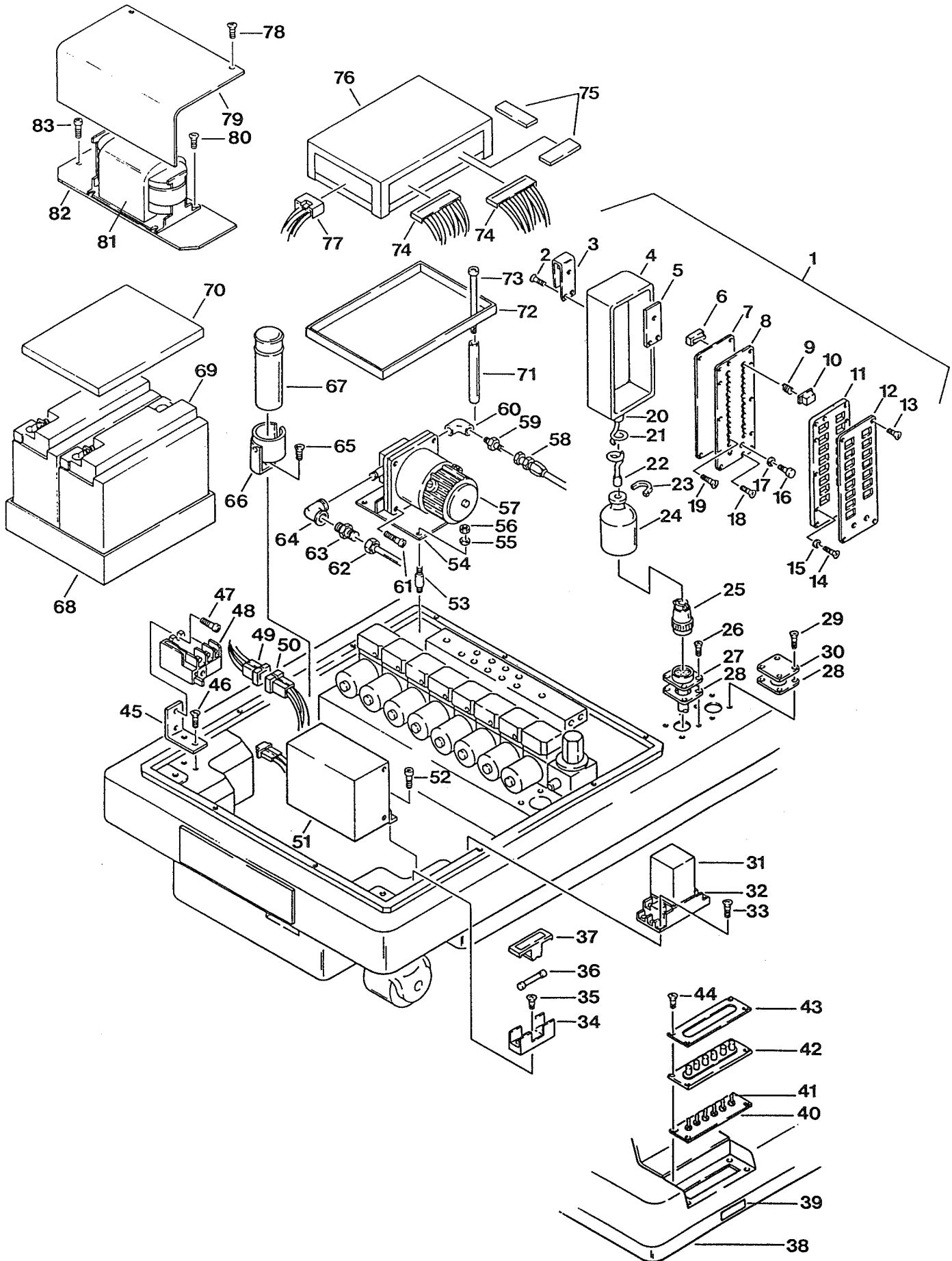
Item	Part No.	Description	Quantity	
			6001	6000
1	D5-031-63	PENDANT CONTROL ASSY. (letters) S.N. 6001-1992-3&L .....	1	
	D5-031-61	PENDANT CONTROL ASSY. (letters) S.N. 6000-1992-3&L .....		1
	D5-031-29	PENDANT CONTROL ASSY. (one touch) S.N. 6001-1992-2&P .....	1	
	D5-031-30	PENDANT CONTROL ASSY. (one touch) S.N. 6000-1992-2&P .....		1
	D5-031-11	PENDANT CONTROL ASSY. (two touch) .....	1	
	D5-031-12	PENDANT CONTROL ASSY. (two touch) .....		1
2	D6-032-33	• SCREW, pendant hook, M4x12 .....	3	3
3	D5-031-14	• HOOK, pendant .....	1	1
4	D5-031-22	• COVER, rubber .....	1	1
5	D5-031-34	• INSERT, pendant hook .....	1	1
6	D5-030-23	• MICRO-SWITCH .....	A/R	A/R
7	D5-031-21	• GASKET, micro-switch plate .....	1	1
8	D5-031-20	• PLATE, micro-switch mounting .....	1	1
9	D5-031-07	• SPRING, pendant button .....	A/R	A/R
10		• BUTTON, pendant (specify function & S.N.) .....	A/R	A/R
11	D5-031-12-1	• HOLDER, plastic button .....	1	1
12	D5-031-64	• FACE PLATE, pendant control, S.N. 6001-1992-3&L .....	1	
	D5-031-62	• FACE PLATE, pendant control, S.N. 6001-1992-3&L .....		1
	D5-031-33	• FACE PLATE, pendant control, S.N. 6001-1992-2&P (one touch) .....	1	
	D5-031-32	• FACE PLATE, pendant control, S.N. 6000-1992-2&P (one touch) .....		1
	D5-031-26	• FACE PLATE, pendant control, two touch .....	1	
	D5-031-25	• FACE PLATE, pendant control, two touch .....		1
13	D6-010-80-1	• SCREW, phillips hd., M3x6 .....	4	4
14	D6-010-10-9	• SCREW, phillips hd., M3x15 .....	6	6
15	D5-030-42	• WASHER, special .....	6	6
16	D5-030-43	• INDICATOR LIGHT, green .....	1	1
17	D5-030-48	• CHROME RING, indicator light .....	1	1
18	D6-032-15	• SCREW, M3x10 .....	2	2
19	D6-010-109	• SCREW, M3x16 .....	6	6
20	D5-031-13-1	• STRAIN RELIEF, pendant end .....	1	1
21	D5-031-13	• CORD, pendant control .....	1	1
22	D5-031-13-2	• STRAIN RELIEF, connector end .....	1	1
23	D6-010-24	• TIE, cable .....	1	1
24	D5-030-18	• COVER, cannon connector .....	1	1
25	D5-030-21	• CONNECTOR, cannon (male 19 pin) .....	1	1
26	D6-010-57-1	SCREW, phillips hd., M4x10 (plated) .....	4	4
27	D5-030-20	CONNECTOR, cannon (female 19 pin) .....	1	1
28	D5-030-46	GASKET, connector .....	2	2
29	D6-032-10	SCREW .....	4	4
30	D5-032-20	COVER, auxiliary base connector .....	1	1
31	D4-030-05	PUMP/MOTOR ASSEMBLY .....	1	1
32	D6-011-19	BOLT, allen, M5x75 .....	3	3
33	D6-032-03	WASHER, special, M5 .....	3	3
34	D6-032-04	INSULATOR .....	3	3
35	D1-030-14	PAD, insulating, motor .....	1	1
36	D5-030-04	CONNECTOR, 3-pin, male .....	1	1
37	D5-030-05	CONNECTOR, 3-pin, female .....	1	1
38	D5-030-03	CONNECTOR, 2-pin, female .....	15	13



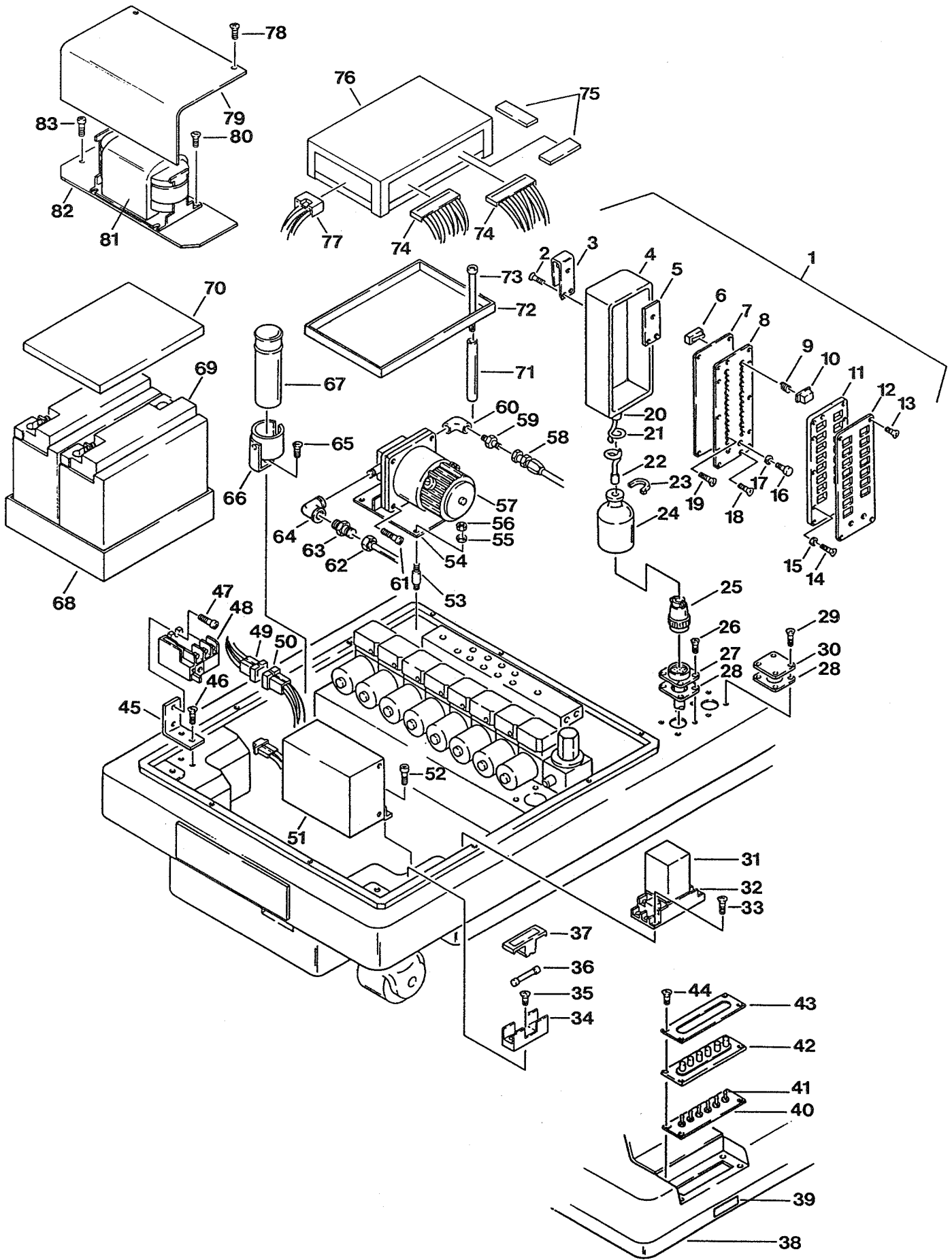
Item	Part No.	Description	Quantity	
			6001	6000
39	D5-030-02	CONNECTOR, 2-pin, male .....	15	13
40	D6-010-19	SCREW, phillips hd., M5x10 .....	1	1
41	D1-031-19	BRACKET, capacitor .....	1	1
42	D6-010-70	BOLT, allen, M5x10 .....	2	2
43	D5-030-29	CAPACITOR, motor starting .....	1	1
44	D5-032-14	CONNECTOR, 5-pin, female .....	1	1
	D5-030-32	CONNECTOR, 6-pin, female .....	1	1
	D5-030-33	CONNECTOR, 6-pin, male .....	1	1
45	D5-032-28	CONNECTOR, 16-pin, female, S.N. 6000N-1992-1&L.....	2	2
	D5-031-46	CONNECTOR, 16-pin, female, S.N. 6000N-1991-12&P .....	2	2
	D5-031-45	CONNECTOR, 16-pin, male, S.N. 6000-1991-12&P .....	1	1
	D5-030-30	CONNECTOR, 36-pin, male, S.N. 6000-1991-12&P .....	1	1
	D5-031-31	CONNECTOR, 36-pin, female, S.N. 6000-1991-12&P .....	1	1
46	D5-032-30	RELAY BOX, S.N. 6000N-1992-1&L .....	1	1
	D5-031-17	RELAY BOX, S.N. 6001-1991-12&P .....	1	
	D5-031-18	RELAY BOX, S.N. 6000-1991-12&P .....		1
47	D5-032-26	CONNECTOR, 26-pin, female .....	1	1
	D5-032-10	CONNECTOR, 20-pin, female .....	1	1



Item	Part No.	Description	Quantity	
			6001	6000
1	D5-031-65	PENDANT CONTROL, (letters) S.N. 6001B-1992-3&L .....	1	
	D5-031-36	PENDANT CONTROL, S.N. 6001B-1992-2&P .....	1	
2	D6-032-33	• SCREW, pendant hook, M4x12 .....	3	
3	D5-031-14	• HOOK, pendant .....	1	
4	D5-031-22	• COVER, rubber .....	1	
5	D5-031-34	• INSERT, pendant hook .....	1	
6	D5-030-23	• MICRO-SWITCH .....	A/R	
7	D5-031-21	• GASKET, micro-switch plate .....	1	
8	D5-031-59	• PLATE, micro-switch mounting .....	1	
9	D5-031-07	• SPRING, pendant button .....	A/R	
10		• BUTTON, pendant (specify function & S.N.) .....	A/R	
11	D5-031-56	• HOLDER, plastic button .....	1	
12	D5-031-66	• FACE PLATE, pendant control, S.N. 6001B-1992-3&L .....	1	
	D5-031-57	• FACE PLATE, pendant control, S.N. 6001B-1992-2&P .....	1	
13	D6-010-80-1	• SCREW, phillips hd., M3x6 .....	4	
14	D6-010-10-9	• SCREW, phillips hd., M3x15 .....	6	
15	D5-030-42	• WASHER, special, M3 .....	6	
16	D5-030-43	• INDICATOR LIGHT, green .....	1	
	D5-030-43-1	• INDICATOR LIGHT, amber .....	1	
17	D5-030-48	• CHROME RING, indicator light .....	2	
18	D6-032-15	• SCREW, M3x10 .....	2	
19	D6-010-109	• SCREW, M3x16 .....	6	
20	D5-031-38-1	• STRAIN RELIEF, pendant end .....	1	
21	D5-031-38	• CORD, pendant control .....	1	
22	D5-031-38-2	• STRAIN RELIEF, connector end .....	1	
23	D6-010-24	• TIE, cable .....	1	
24	D5-030-18	• COVER, cannon connector .....	1	
25	D5-032-38	• CONNECTOR, cannon (male 24-pin) S.N. 6001B-1992-3&L .....	1	
	D5-030-21	• CONNECTOR, cannon (male 19-pin) S.N. 6001B-1992-2&P .....	1	
26	D6-010-57-1	SCREW, phillips hd., M4x10 (plated) .....	4	
27	D5-032-39	CONNECTOR, cannon (female 24-pin) S.N. 6001B-1992-3&L .....	1	
	D5-030-20	CONNECTOR, cannon (female 19-pin) S.N. 6001B-1992-2&P .....	1	
28	D5-030-46	GASKET, connector .....	2	
29	D6-032-10	SCREW, M3x20 .....	4	
30	D5-032-21-BT	COVER, auxiliary base connector .....	1	
31	D5-032-51	RELAY, switch over .....	1	
32	D5-032-56	TERMINAL STAND, relay .....	1	
33	D6-031-45	SCREW, phillips hd., M4x15 .....	2	
34	D5-031-49	FUSE HOLDER .....	1	
35	D6-050-37	SCREW, phillips hd., M4x8 .....	1	
36	D5-032-42	FUSE, 15amp .....	1	
37	D5-031-48	COVER, fuse holder .....	1	
38	D1-032-08	COVER, service access, S.N. 6001B-1992-3&L .....	1	
	D1-031-01	COVER, service access, S.N. 6001B-1992-2&P .....	1	
39	D1-032-26	MAGNET, switch cover retaining .....	1	
	D6-031-40	HOLDER, magnet, S.N. 6001B-1992-2&P .....	1	
	D6-031-41	MAGNET, cover door, S.N. 6001B-1992-2&P .....	1	

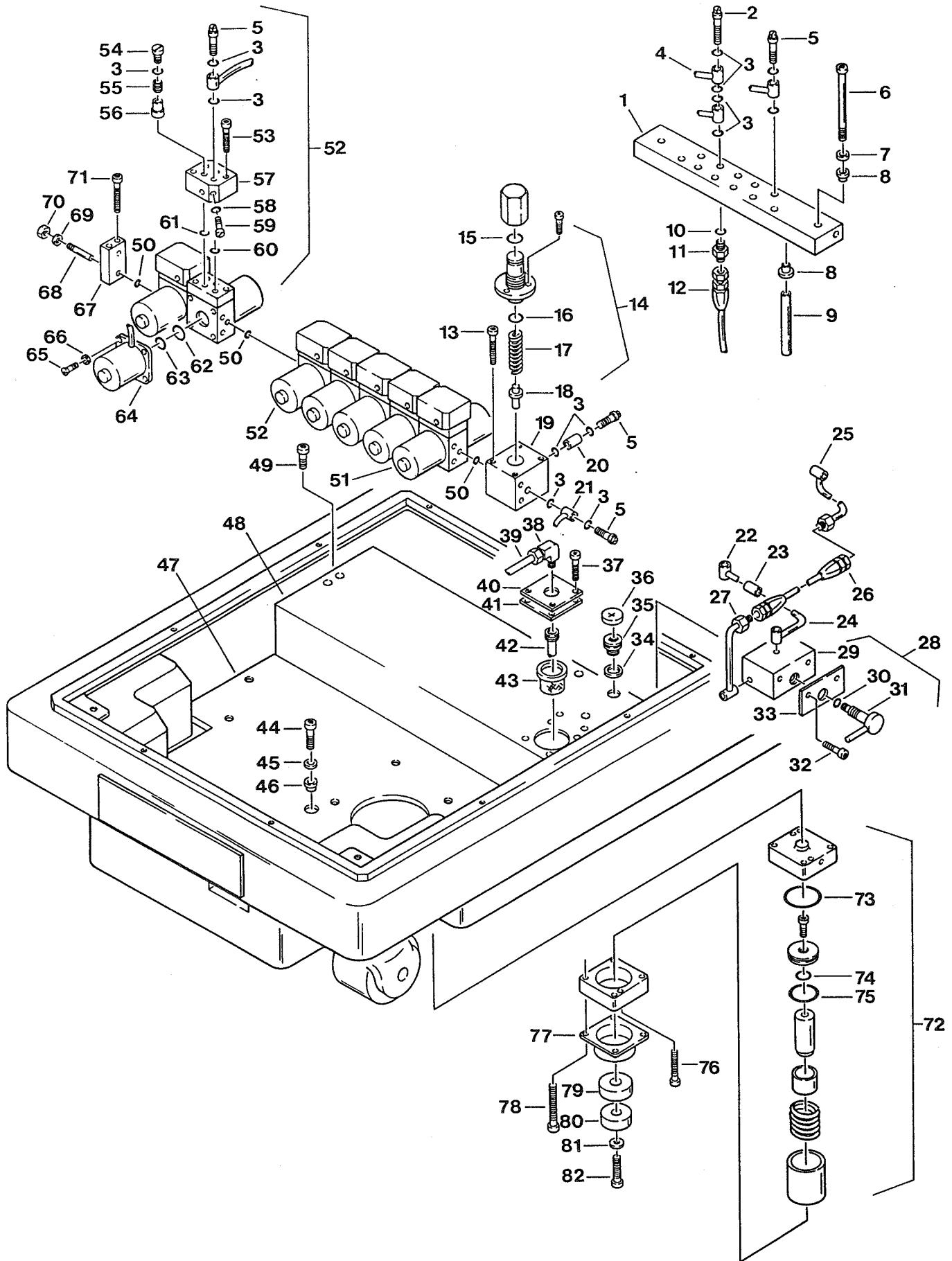


Item	Part No.	Description	Quantity	
			6001	6000
40	D5-032-67	PLATE, switch mounting, S.N. 6001B-1992-3&L .....	1	
	D5-031-42	FACE PLATE, 7 switch, S.N. 6001B-1992-2&P .....	1	
41	D5-031-43	SWITCH, toggle, 2 position .....	A/R	
	D5-031-44	SWITCH, toggle, 1 position .....	A/R	
42	D5-032-69	COVER, switch assembly .....	1	
43	D5-032-68	FACE PLATE .....	1	
44	D6-032-31	SCREW, phillips hd., M4x8 .....	4	
45	D1-032-18	BRACKET, relay mounting, S.N. 6001B-1992-3&L .....	1	
	D1-032-19	BRACKET, relay mounting, S.N. 6001B-1992-2&P .....	1	
46	D6-032-20	SCREW, phillips hd., .....	2	
47	D6-032-19	BOLT, allen, M4x12 .....	1	
48	D5-032-61	RELAY, thermal .....	1	
49	D5-032-60	CONNECTOR, 6-pin, female .....	1	
50	D5-032-59	CONNECTOR, 6-pin, male .....	1	
51	D5-032-57	CHARGER, battery, S.N. 6001B-1992-3&L .....	1	
	D5-031-52	CHARGER, battery, S.N. 6001B-1992-2&P .....	1	
	D5-031-50	• TRANSFORMER, S.N. 6001B-1992-2&P .....	1	
52	D6-010-70	BOLT, allen, M5x10 .....	2	
53	D4-031-65	ISOLATION MOUNT, motor .....	4	
54	D1-032-25	PLATE, motor mounting .....	1	
55	D6-010-77	WASHER, lock, M5 .....	4	
56	D6-010-76	NUT, M5 .....	4	
57	D4-031-98	PUMP/MOTOR ASSEMBLY .....	1	
58	D4-032-64	HOSE, flexible, pump return .....	1	
59	D4-032-63	FITTING .....	1	
60	D4-032-62	90° ELBOW .....	1	
61	D6-032-22	BOLT, allen .....	2	
62	D4-032-66	TUBE, suction .....	1	
63	D4-032-67	FITTING .....	1	
64	D4-032-68	90° ELBOW .....	1	
65	D6-010-19	SCREW, phillips hd., M5x10 .....	1	
66	D1-031-19	BRACKET, capacitor .....	1	
67	D5-032-65	CAPACITOR, motor starting .....	1	
68	D1-032-20	TRAY, battery .....	1	
69	D5-032-43	BATTERY, 12V, S.N. 6001B-1992-3&L .....	2	
	D5-031-37	BATTERY PACK, S.N. 6001-1992-2&P .....	2	
70	D1-032-21	COVER, battery .....	1	
	D5-031-47	HOLDING FRAME, battery, S.N. 6001B-1992-2&P .....	1	
71	D1-032-22	STAND-OFF .....	2	
72	D1-032-23	TRAY, relay box .....	1	
73	D6-032-21	BOLT, allen, M5x105 .....	2	
74	D5-031-46	CONNECTOR, 16-pin, female .....	2	
75	D5-032-63	CONNECTOR, 26-pin, female .....	2	
	D5-032-32	CONNECTOR, 30-pin, female .....	2	
76	D5-032-31	RELAY BOX, S.N. 6001B-1992-3&L .....	1	
	D5-031-51	RELAY BOX, S.N. 6001B-1992-2&P .....	1	
77	D5-032-64	CONNECTOR, 7-pin, female .....	1	
78	D6-050-36	BOLT, allen, M5x8 .....	2	

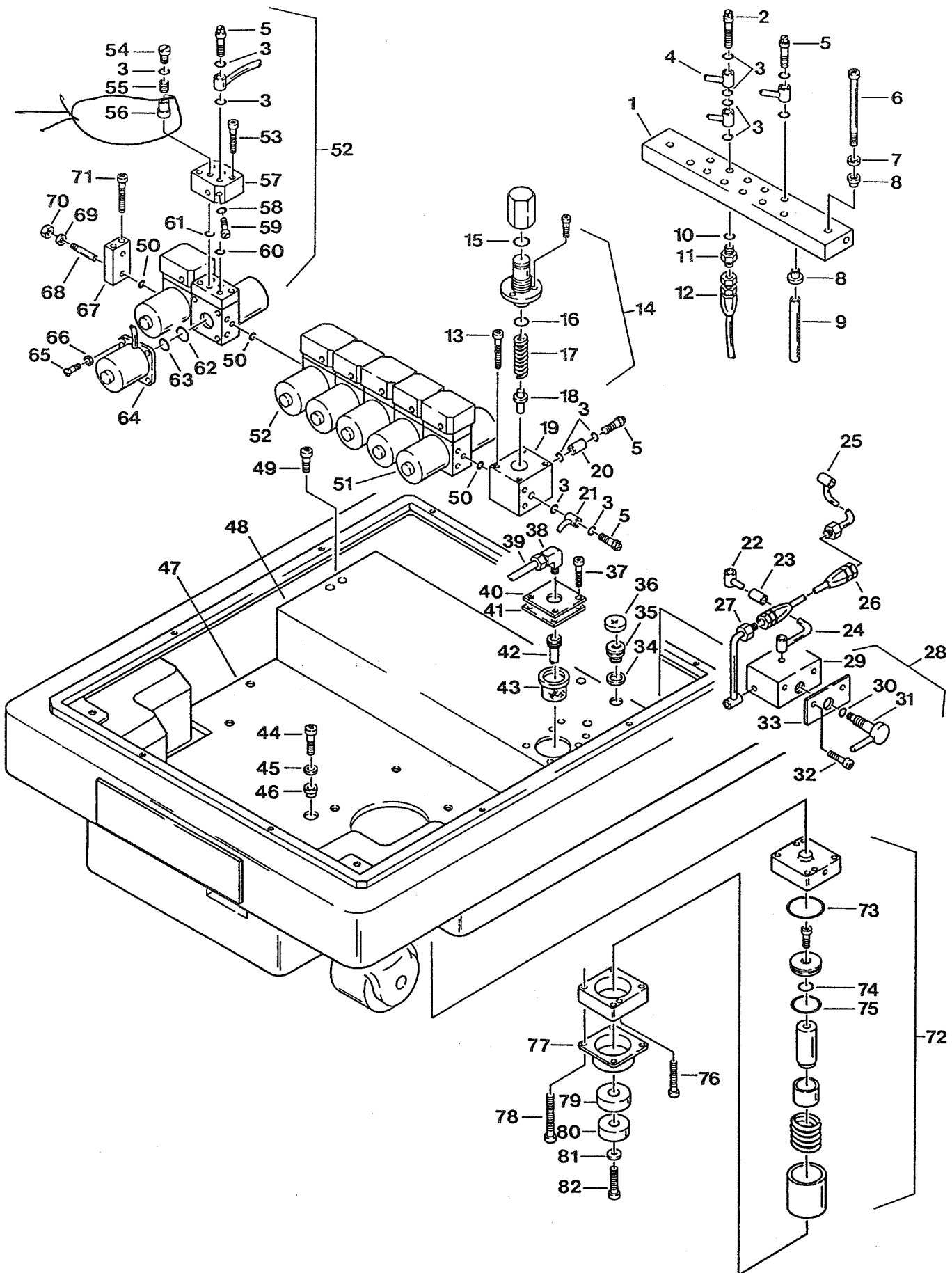




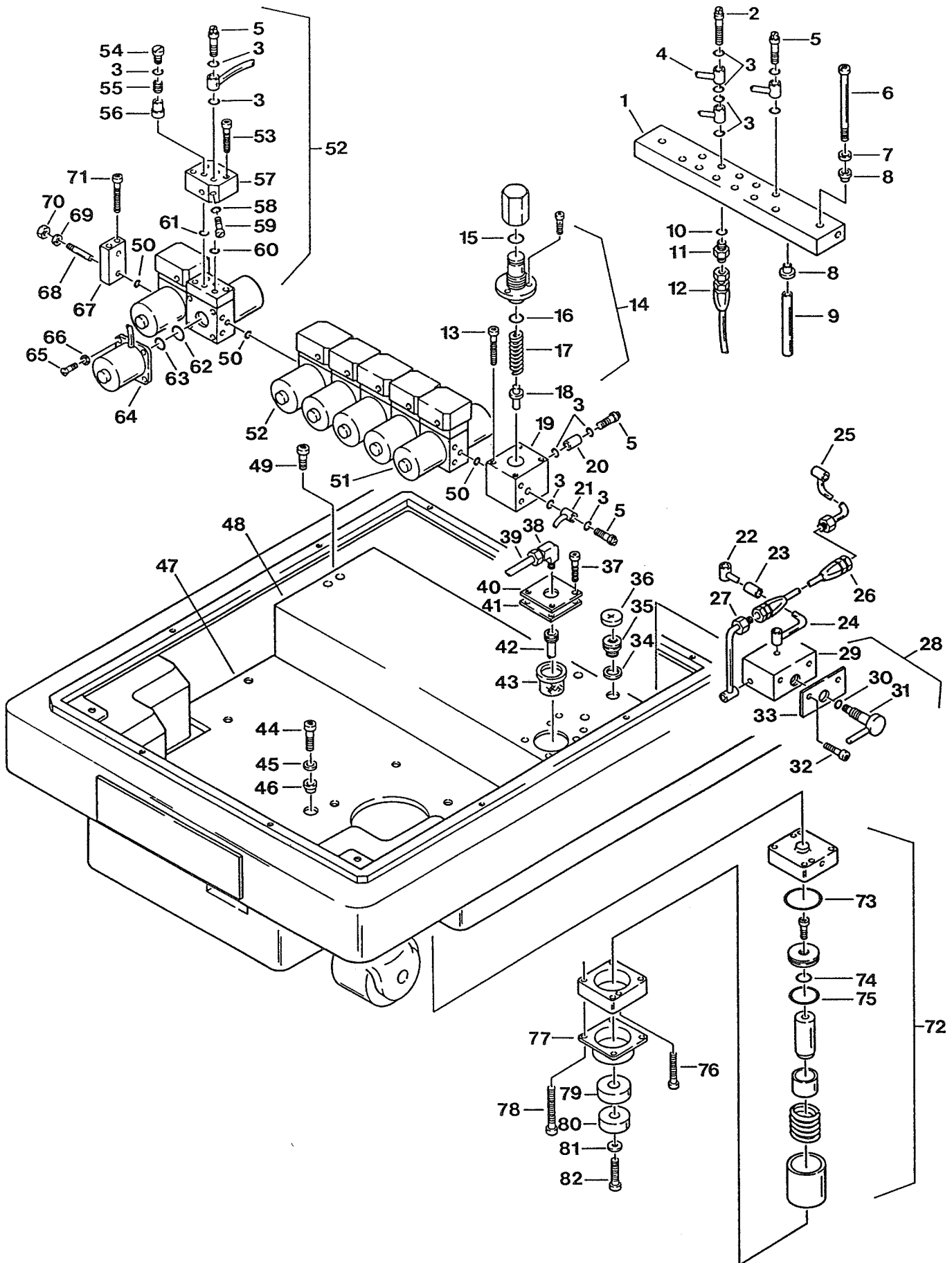
Item	Part No.	Description	Quantity	
			6001	6000
79	D1-032-16	COVER, transformer .....		1
80	D6-032-17	SCREW, phillips hd., .....		2
81	D5-032-58	TRANSFORMER, battery charger, S.N. 6001B-1992-3&L .....		1
82	D1-032-17	PLATE, transformer mounting .....		1
83	D6-032-18	BOLT, allen .....		2



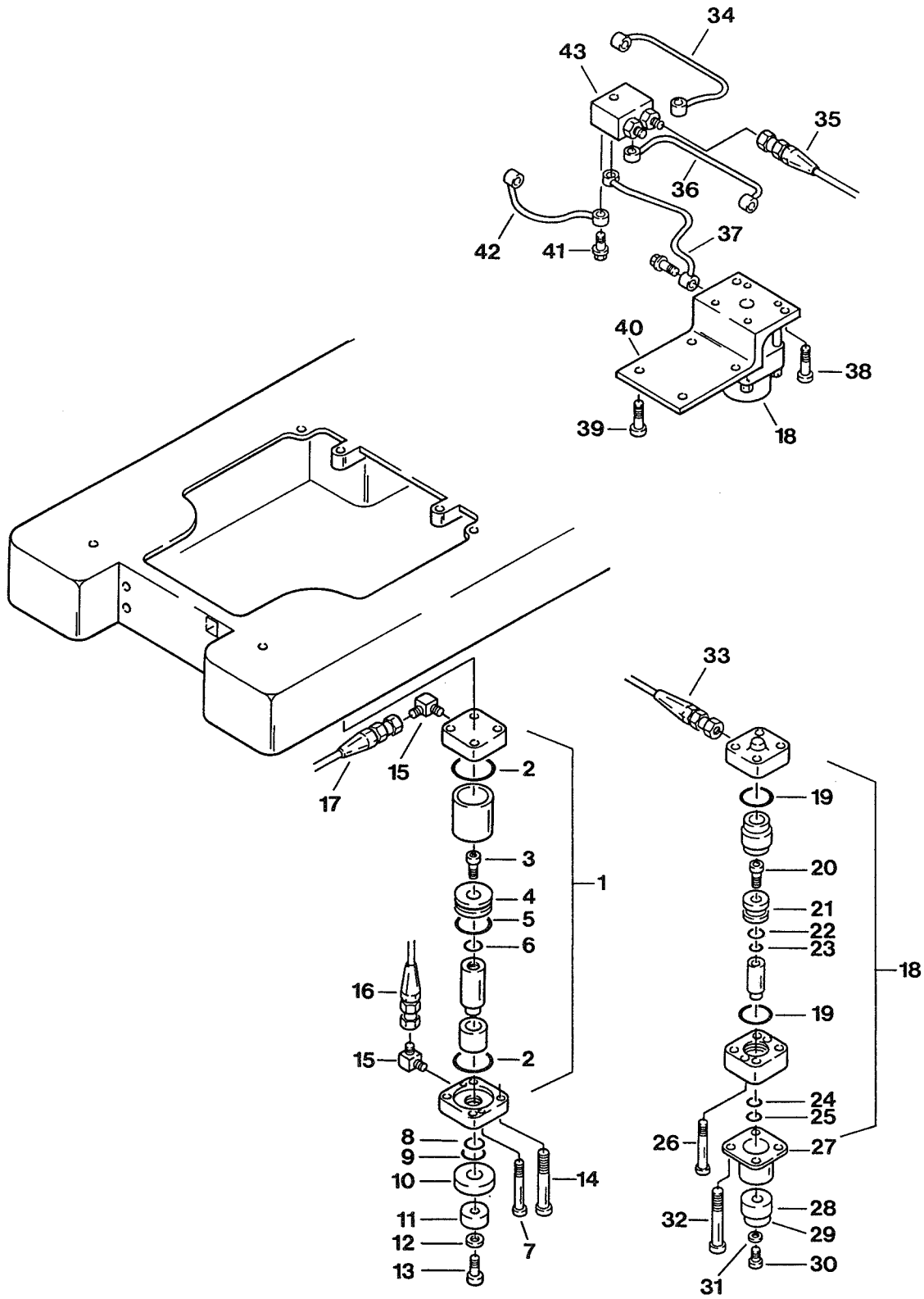
Item	Part No.	Description	Quantity	
			6001	6000
1	D4-032-23	TERMINAL, plumbing, S.N. 6001N-1992-1&L .....	1	1
	D4-031-99	TERMINAL, plumbing, S.N. 6001-1989-5 to S.N. 6001-1991-12 .....	1	
	D4-031-99-1	TERMINAL, plumbing, S.N. 6001-1989-5 to S.N. 6001-1991-12 .....		1
	D4-031-17-1	TERMINAL, plumbing, S.N. 6001-1986-3 to S.N. 6001-1989-4 .....	1	
	D4-031-18-1	TERMINAL, plumbing, S.N. 6001-1986-3 to S.N. 6001-1989-4 .....		1
	D4-031-17	TERMINAL, plumbing, S.N. 6001-1986-2&P .....	1	
	D4-031-18	TERMINAL, plumbing, S.N. 6001-1986-2&P .....		1
2	D4-010-26	BOLT, plumbing, M6 (long) .....	A/R	A/R
3	D4-010-08	O-RING, P-7 .....	A/R	A/R
4		OIL LINE, specify function .....	A/R	A/R
5	D4-010-24	BOLT, plumbing, M6 .....	A/R	A/R
6	D6-032-13	BOLT, allen, M6x140 .....	2	2
7	D6-010-85	WASHER, flat, M6 .....	2	2
8	D6-031-16	BUSHING, isolation .....	4	4
9	D4-032-81	STAND-OFF .....	2	2
10	D4-010-32	PACKING, copper .....	A/R	A/R
11	D4-010-31	FITTING, flexible hose .....	A/R	A/R
12		HOSE, flexible (specify function) .....	A/R	A/R
13	D6-010-65	BOLT, allen, M5x35 .....	4	4
14	D4-031-23	PRESSURE RELIEF VALVE .....	1	1
15	D4-031-67	• O-RING, P-10 .....	1	1
16	D4-010-51	• O-RING, P-16 .....	1	1
17	D4-031-12	• SPRING .....	1	1
18	D4-031-23-1	• VALVE, relief, 5mm dia (steel) S.N. 6000-1989-7&L .....	1	1
	D4-020-31	• VALVE, relief, 6mm dia (plastic) S.N. 6000-1989-6&P .....	1	1
19	D4-031-23-2	• HOUSING, relief valve (5mm dia valve) S.N. 6000-1989-7&L .....	1	1
	D4-031-23-3	• HOUSING, relief valve (6mm dia valve) S.N. 6000-1989-6&P .....	1	1
20	D4-010-18	CAP, blind, M6 .....	1	1
21	D4-032-58	OIL LINE, pump outlet, S.N. 6000N-1992-1&L .....	1	1
	D4-031-22	OIL LINE, pump outlet, S.N. 6000-1991-12&P .....	1	1
22	D4-032-52	OIL LINE .....	1	1
23	D4-032-51	FLEXIBLE TUBE .....	1	1
24	D4-032-50	OIL LINE .....	1	1
25	D4-032-47	OIL LINE .....	1	1
26	D4-032-48	FLEXIBLE HOSE .....	1	1
27	D4-032-49	OIL LINE .....	1	1
28	D4-032-45	EMERGENCY BRAKE RELEASE VALVE ASSEMBLY .....	1	1
29	D4-032-24	• BLOCK, emergency brake release .....	1	1
30	D4-010-52	• O-RING, P-4 .....	1	1
31	D4-032-25	• HANDLE, emergency brake release .....	1	1
32	D6-010-30	BOLT, allen, M6x20 .....	2	2
33	D4-032-46	SPACER .....	1	1
34	D4-010-37	GASKET, oil filler .....	1	1
35	D4-010-38	FITTING, oil filler .....	1	1
36	D4-010-39	CAP, oil filler .....	1	1
37	D6-010-67	BOLT, allen, M5x15 .....	4	4
38	D4-030-12	FITTING, hydraulic motor/oil tank 90° .....	2	2
39	D4-030-03	OIL LINE, supply .....	1	1



Item	Part No.	Description	Quantity	
			6001	6000
40	D4-031-14	COVER, oil tank .....	1	1
41	D4-031-13	GASKET, oil tank cover .....	1	1
42	D4-030-19	TUBE, induction .....	1	1
43	D4-031-11	STRAINER, oil .....	1	1
44	D6-010-30	BOLT, allen, M6x20 .....	3	3
45	D6-031-15	WASHER .....	3	3
46	D1-031-12	BUSHING, isolation .....	6	6
47	D4-032-56	PLATE, oil tank receiving, S.N. 6000N-1992-1&L .....	1	1
	D4-032-57	PLATE, oil tank receiving, battery model, S.N. 6001B-1992-3&L .....	1	
	D4-031-13	PLATE, oil tank receiving, S.N. 6000-1991-12&P .....	1	1
48	D4-031-63	RESERVOIR, oil tank, S.N. 6000N-1992-1&L .....	1	1
	D4-031-10	RESERVOIR, oil tank, S.N. 6000-1991-12&P .....	1	1
49	D6-010-51	BOLT, allen, M6x10 .....	2	2
50	D4-010-52	O-RING, P-4 .....	A/R	A/R
51	D4-031-21	ELECTRO/MINI VALVE ASSEMBLY (3-way), 120VAC .....	A/R	A/R
	D4-032-59	ELECTRO/MINI VALVE ASSEMBLY (3-way), 24VDC .....	A/R	A/R
52	D4-030-02	ELECTRO/MINI VALVE ASSEMBLY (4-way), 120VAC .....	A/R	A/R
	D4-032-60	ELECTRO/MINI VALVE ASSEMBLY (4-way), 24VDC .....	A/R	A/R
53	D6-010-65	• BOLT, allen, M5x35 .....	2	2
54	D4-010-41	• PLUG, cap .....	2	2
55	D4-010-42	• SPRING, return .....	2	2
56	D4-010-25	• VALVE, non-return .....	2	2
57	D4-010-43	• VALVE BLOCK, 4-way .....	6	6
	D4-020-23	• VALVE BLOCK, 3-way .....	2	2
58	D4-010-20	• O-RING, P-3 .....	2	2
59	D4-010-44	• VALVE, needle, speed control .....	2	2
60	D4-010-19	• O-RING, P-6 .....	2	2
61	D4-010-01	• O-RING, P-8 .....	2	2
62	D4-010-51	• O-RING, P-16 .....	2	2
63	D4-010-14	• O-RING, P-12 .....	2	2
64	D5-030-34	• SOLENOID, 120VAC .....	2	2
	D5-031-35	• SOLENOID, 24VDC .....	2	2
65	D6-010-79	• SCREW, phillips hd., M3x5 .....	8	8
66	D6-010-78	• WASHER, lock, M3 .....	8	8
67	D4-010-40	CAP, end .....	1	1
68	D4-010-19	STUD, M5 .....	2	
	D6-031-20	STUD, M5 .....		2
69	D6-010-77	WASHER, lock, M5 .....	4	4
70	D6-010-76	NUT, M5 .....	4	4
71	D6-010-64	BOLT, allen, M5x40 .....	2	2
72	D4-031-60	CYLINDER ASSEMBLY, brake, single action, S.N. 6000-1989-5&L .....	4	4
	D6-031-50	BRAKE CYLINDER REBUILD KIT .....	A/R	A/R
73	D4-031-47	• O-RING, G-35 .....	1	1
74	D4-010-02	• O-RING, P-14 .....	1	1
75	D4-031-66	• SCRAPER, piston .....	1	1
76	D5-031-25	• BOLT, allen, M5x65 .....	2	2
77	D4-032-61	COVER, ram .....	4	4
78	D6-031-26	BOLT, allen, M6x95 .....	16	16

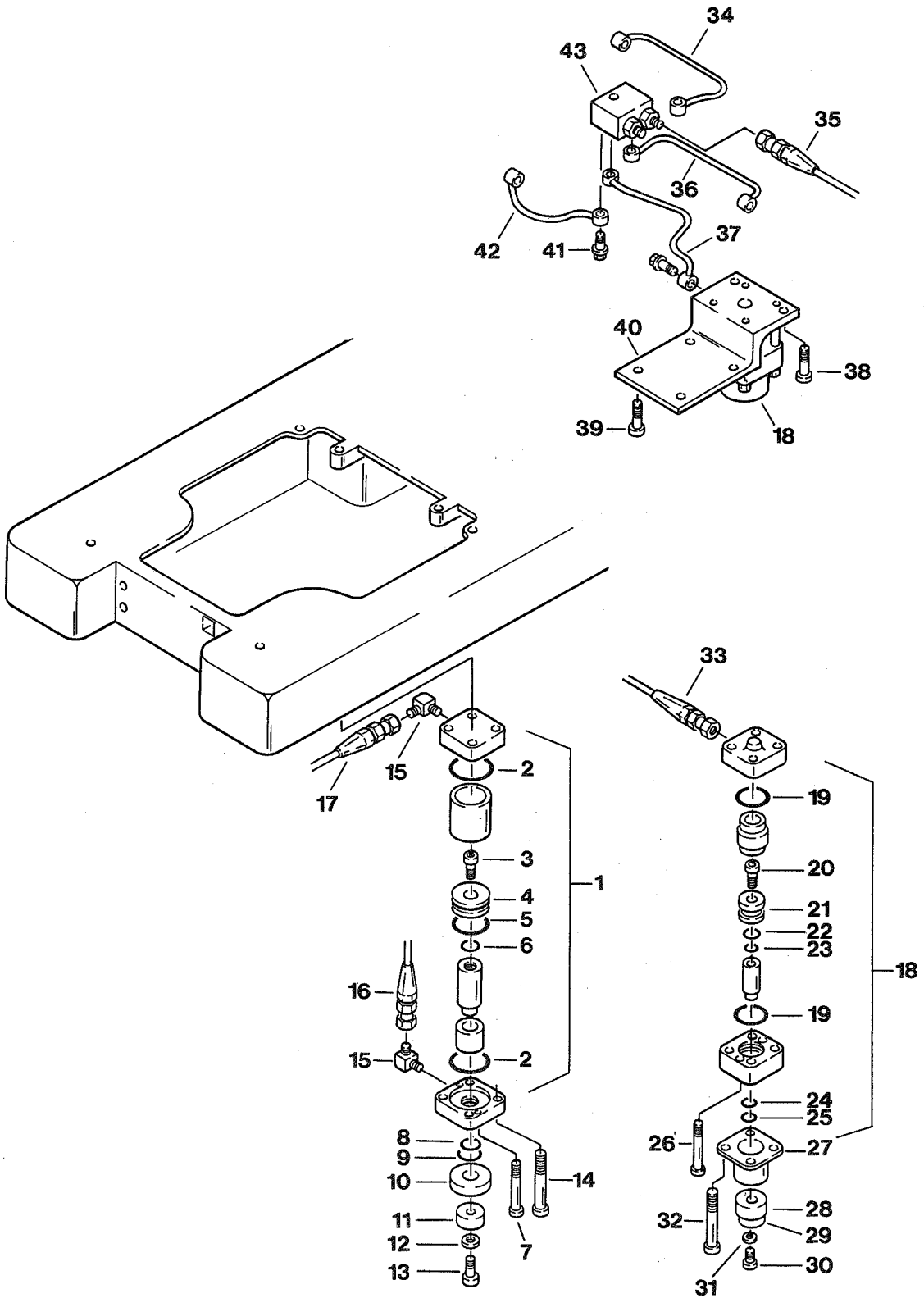


Item	Part No.	Description	Quantity	
			6001	6000
79	D4-031-95-1	SEAT, brake rubber .....	4	4
80	D4-031-96	PAD, brake, self-leveling, hard .....	2	2
	D4-031-97	PAD, brake, self-leveling, soft .....	2	2
81	D6-010-36	WASHER .....	4	4
82	D6-010-30	BOLT, allen, M6x20 .....	4	4

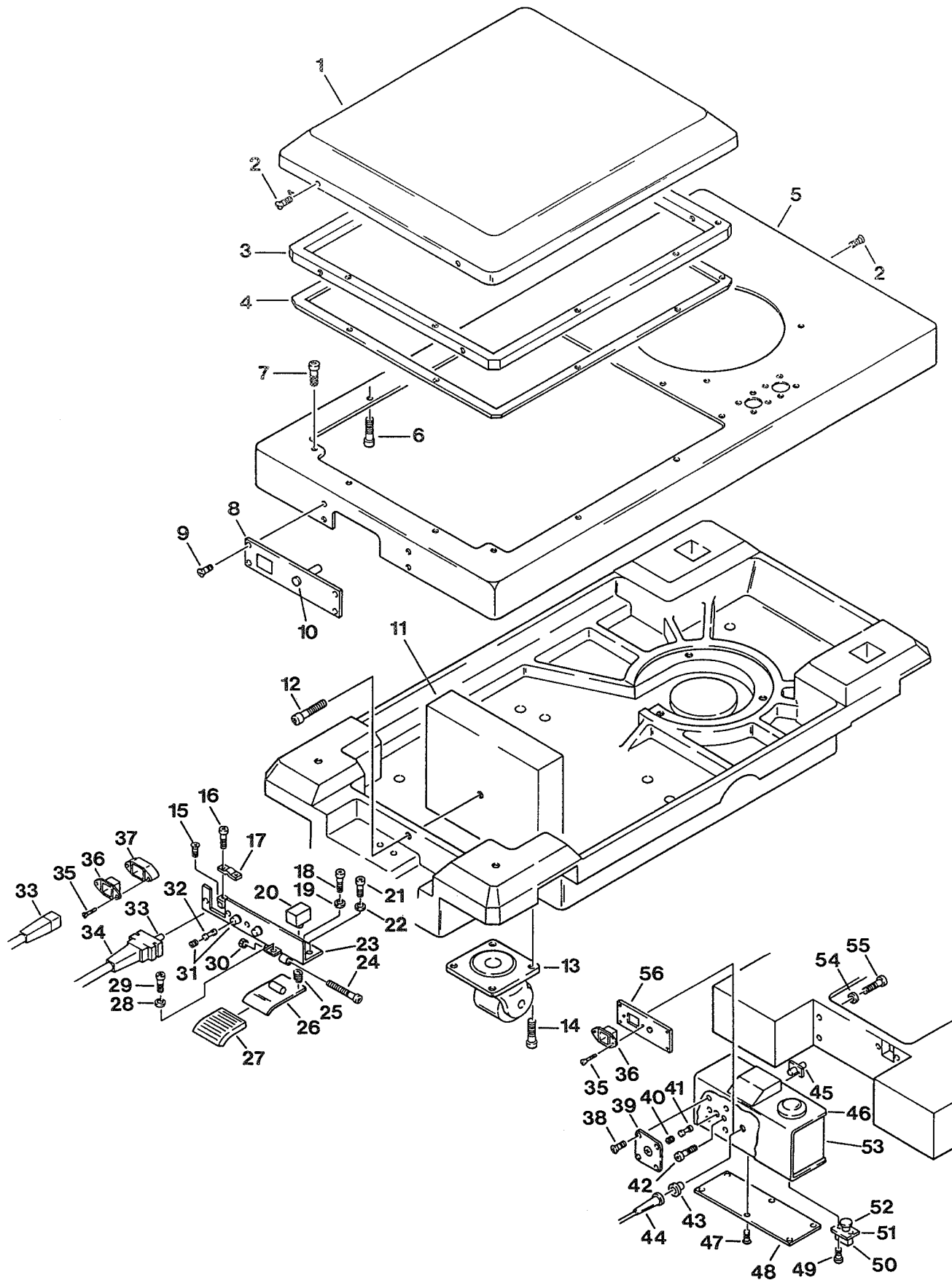




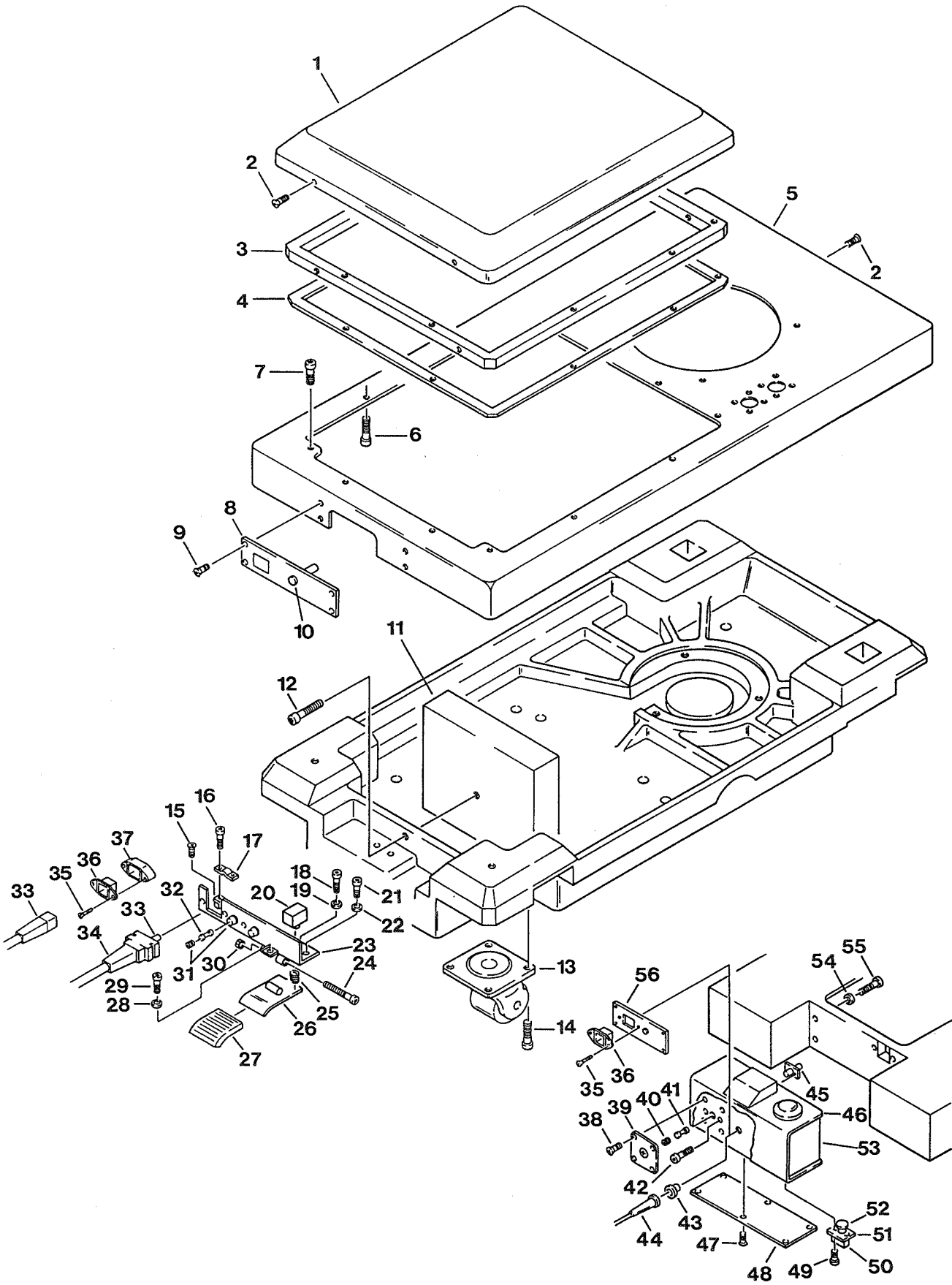
Item	Part No.	Description	Quantity	
			6001	6000
1	D4-031-25	CYLINDER ASSEMBLY, front brake, S.N. 6000-1986-3&P .....	2	2
	D6-031-48	BRAKE CYLINDER REBUILD KIT .....	A/R	A/R
2	D4-010-09	• O-RING, G-50 .....	4	4
3	D6-010-53	• BOLT, allen, M8x20 .....	1	1
4	D4-031-26	• PISTON, cylinder .....	1	1
5	D4-010-54	• O-RING, P-34 .....	1	1
6	D4-010-56	• O-RING, P-10A .....	1	1
7	D6-031-17	• BOLT, allen, M6x70 .....	2	2
8	D4-031-29	• SEAL RING, PS-25 .....	1	1
9	D4-031-30	• SCRAPER, SER-25 .....	1	1
10	D4-010-95	SEAT, brake rubber .....	2	2
11	D1-010-12	PAD, brake rubber .....	2	2
12	D6-010-36	WASHER, brake rubber .....	2	2
13	D6-010-30	BOLT, allen, M6x20 .....	2	2
14	D6-031-18	BOLT, allen, M8x90 .....	8	8
15	D4-010-29	FITTING, hydraulic, 90° elbow .....	4	4
16	D4-031-09	HOSE, flexible, 690mm .....	1	1
	D4-031-03	HOSE, flexible, 530mm .....	1	1
17	D4-031-05	HOSE, flexible, 560mm .....	1	1
	D4-031-07	HOSE, flexible, 370mm .....	1	1
18	D4-031-34	CYLINDER ASSEMBLY, rear brake, S.N. 6000-1986-3&P .....	2	2
	D4-031-34-1	CYLINDER ASSEMBLY, brake, S.N. 6000-1986-3 to S.N. 6000-1989-4 .....	4	4
	D6-031-49	BRAKE CYLINDER REBUILD KIT .....	A/R	A/R
19	D4-031-47	• O-RING, G-35 .....	2	2
20	D6-010-17	• BOLT, allen, M8x15 .....	1	1
21		• PISTON, cylinder .....	1	1
22	D4-010-12	• O-RING, P-24 .....	1	1
23	D4-010-56	• O-RING, P-10A .....	2	2
24	D4-031045	• SEAL RING, PS-20 .....	1	1
25	D4-031-46	• SCRAPER, SER-20 .....	1	1
26	D6-031-22	• BOLT, allen, M5x55 .....	2	2
27	D4-031-48	COVER, ram .....	1	1
	D4-031-48-1	COVER, ram, short .....	1	1
28	D4-010-95-1	SEAT, brake rubber (use opposite adj. feet) .....	2	2
	D4-031-32	ADJUSTABLE FOOT, brake cylinder .....	2	2
	D4-031-95	SEAT, brake rubber, S.N. 6000-1989-2 to S.N. 6000-1989-4 .....	4	4
29	D4-031-56	PAD, brake cylinder adj. foot .....	2	2
	D4-031-96	PAD, hard, S.N. 6000-1989-2&L .....	2	2
	D4-031-97	PAD, soft, S.N. 6000-1989-2&L .....	2	2
30	D6-010-30	BOLT, allen, M6x20 .....	4	4
31	D6-010-36	WASHER, brake rubber .....	4	4
32	D6-031-20	BOLT, allen, M6x85 .....	4	4
33	D4-031-54	HOSE, flexible .....	2	2
	D4-031-55	HOSE, flexible .....	2	2
34	D4-031-53	OIL LINE (move left) .....	1	1
35	D4-031-08	HOSE, flexible, 570mm .....	2	2
36	D4-031-51	OIL LINE (move right) .....	1	1
37	D4-031-50	OIL LINE (set right) .....	1	1



Item	Part No.	Description	Quantity	
			6001	6000
38	D6-031-21	BOLT, allen, M8x35 .....	5	5
39	D6-010-96	BOLT, allen, M10x20 .....	8	8
40	D4-031-35	BRACKET .....	2	2
41	D4-010-24-1	BOLT, plumbing .....	A/R	A/R
42	D4-031-52	OIL LINE (set left) .....	1	1
43	D4-031-49	TERMINAL, plumbing .....	1	1

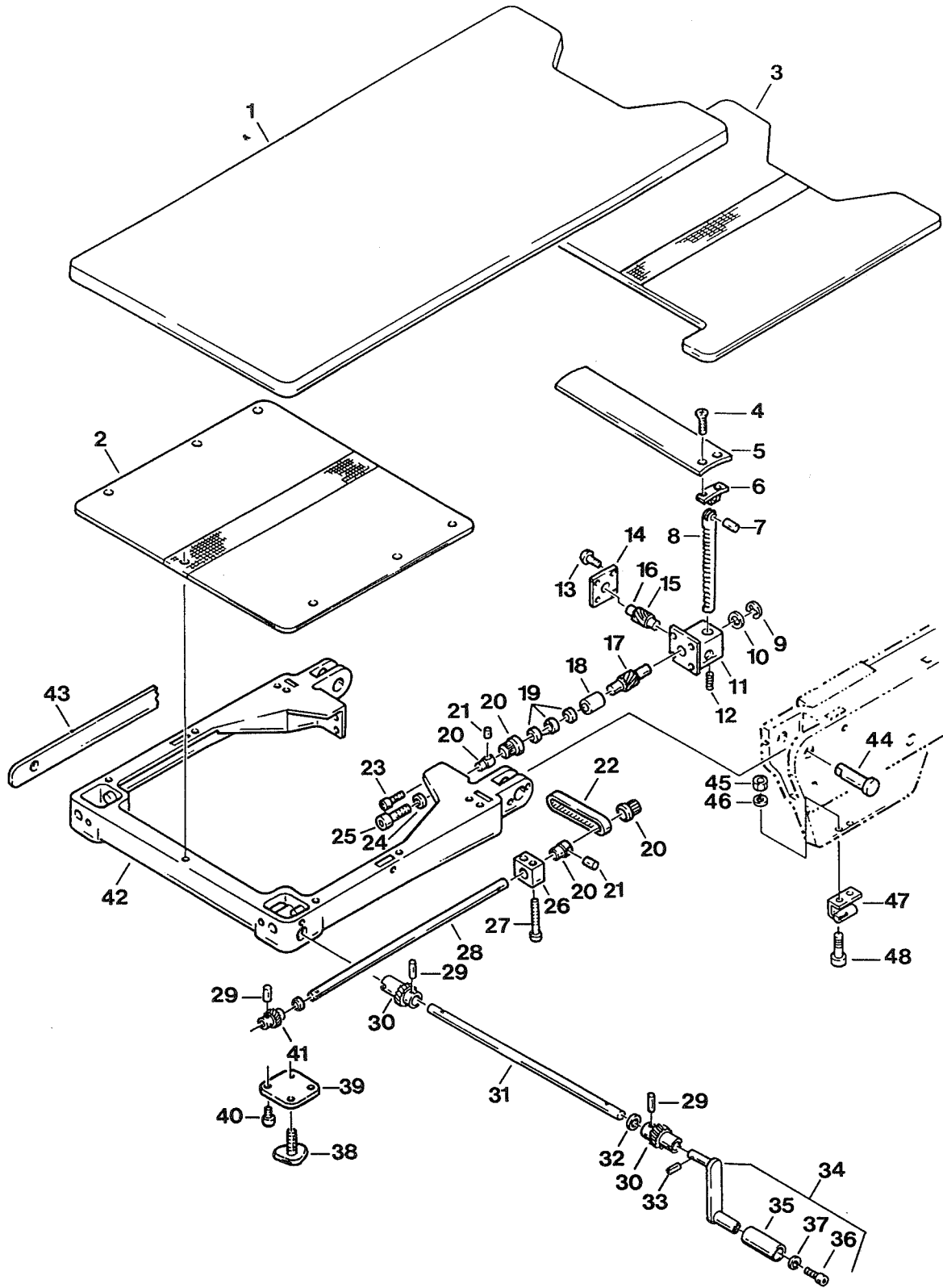


Item	Part No.	Description	Quantity	
			6001	6000
1	D1-032-07	COVER, service access, S.N. 6000N-1992-1&L .....	1	1
	D1-031-11	COVER, service access, S.N. 6000-1991-12&P .....	1	1
	D1-032-05	COVER, service access, battery model, S.N. 6001B-1992-3&L .....	1	
	D1-031-01	COVER, service access, battery model, S.N. 6001B-1992-2&P .....	1	
2	D6-050-37	SCREW, phillips hd., M4x8 .....	4	4
3	D1-032-09	FRAME, S.N. 6000N-1992-1&L .....	1	1
	D1-032-03	FRAME, S.N. 6000-1991-12&P .....	1	1
4	D1-032-10	GASKET, S.N. 6000N-1992-1&L .....	1	1
	D1-032-04	GASKET, S.N. 6000-1991-12&P .....	1	1
5	D1-032-11	HOUSING, base, S.N. 6000N-1992-1&L .....	1	1
6	D6-010-67	BOLT, allen, M5x15 .....	10	10
7	D6-010-51	BOLT, allen, M6x10 .....	2	2
8	D1-032-12	PLATE, fuse cover .....	1	1
	D1-032-13	PLATE, fuse cover, battery model .....	1	1
9	D6-032-08	SCREW, M4x6, black .....	4	4
10	D5-031-53	LIGHT, indicator, battery model .....	1	1
11	D1-032-27	BALANCE WEIGHT, S.N. 6001N-1992-9-1454&L .....	1	1
	D1-032-14	BALANCE WEIGHT, S.N. 6001N-1992-9-1453&P .....	1	1
12	D6-010-53	BOLT, allen, M8x20 .....	2	2
13	D1-010-30	CASTER, 105HB-P .....	4	4
14	D6-010-96	BOLT, allen, M10X20 .....	16	16
15	D6-010-16	SCREW, phillips hd.,M5x6 .....	1	1
16	D6-032-06	BOLT, allen, M4x20 .....	2	2
17	D5-032-37	RETAINER, power cord .....	1	1
18	D6-010-30	BOLT, allen, M6x20 .....	2	2
19	D6-010-41	NUT, M6 .....	2	2
20	D5-030-19	SWITCH, main power .....	1	1
21	D6-010-51	BOLT, allen, M6x10 .....	3	3
22	D6-010-40	WASHER, lock, M6 .....	3	3
23	D5-032-52-3	BRACKET, On/Off switch, S.N. 6000N-1992-1&L .....	1	1
	D5-032-52-2	BRACKET, On/Off switch, battery model, S.N. 6001B-1992-3&L .....	1	
24	D6-032-09	BOLT, allen, M5x50 .....	1	1
25	D6-032-12	SPRING (#89) .....	1	1
26	D5-032-53-1	SWITCH PEDAL, On/Off switch .....	1	1
27	D5-032-54	COVER, switch pedal .....	1	1
28	D6-010-59	NUT, M4 .....	1	1
29	D6-032-06	BOLT, allen, M4x20 .....	1	1
30	D6-010-76	NUT, M5 .....	1	1
31	D1-030-15	FUSE HOLDER .....	2	2
32	D5-032-41	FUSE, 10A .....	2	2
33	D5-032-34	POWER CORD ASSEMBLY .....	1	1
	D5-031-08	POWER CORD ASSEMBLY, battery model .....	1	1
34	D5-032-35	STRAIN RELIEF .....	1	1
35	D6-032-10	SCREW, M3x20 .....	2	2
36	D5-031-54-1	CONNECTOR, power cord, battery model .....	1	1
37	D5-031-54-2	SPACER, power cord connector, battery model .....	1	1
38	D6-010-57-1	SCREW, phillips hd., M4x10 (plated) .....	4	4
39	D1-031-24	PLATE, fuse cover .....	1	1
	D1-031-25	PLATE, fuse cover, battery model .....	1	1



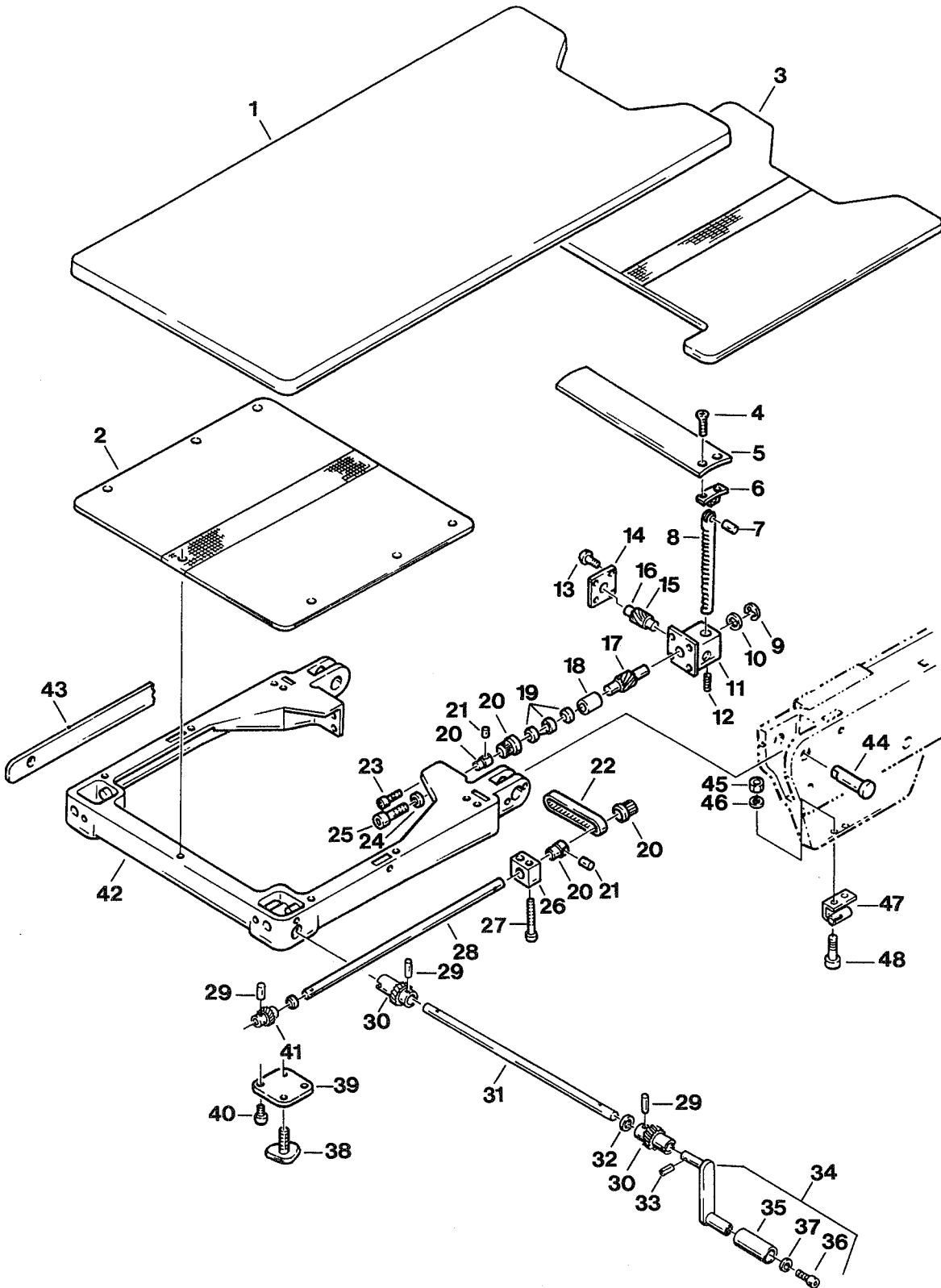
Item	Part No.	Description	Quantity	
			6001	6000
40	D1-030-15	FUSE HOLDER .....	1	1
41	D5-030-10	FUSE, 8 amp .....	1	1
	D5-031-60	FUSE, 5 amp, battery model .....	1	
42	D6-010-67	BOLT, allen, M5x15 .....	2	2
43	D5-031-27	GROMMET, strain relief .....	1	1
44	D5-030-01	POWER CORD .....	1	1
	D5-030-08	STRAIN RELIEF .....	1	1
45	D1-031-29	PLATE, fuse holder mount .....	1	1
46	D1-031-30	COVER, rubber, electrical enclosure .....	1	1
	D1-031-35	COVER, rubber, electrical enclosure, battery model .....	1	
47	D6-050-37	SCREW, phillips hd., M4x8 .....	6	6
48	D1-031-33	COVER, electrical enclosure, bottom .....	1	1
49	D6-010-70	BOLT, allen, M5x10 .....	2	2
50	D5-030-19	SWITCH, main power .....	1	1
51	D1-031-32	PLATE, switch mounting .....	1	1
52	D5-031-28	HEAD, power switch .....	1	1
53	D1-031-31	ENCLOSURE, electrical .....	1	1
	D1-031-34	ENCLOSURE, electrical, battery model .....	1	
54	D6-010-77	WASHER, lock, M5 .....	4	4
55	D6-010-37	BOLT, allen, M5x20 .....	4	4
56	D1-031-02	PLATE, charging lamp, battery model .....	1	

12. OPTIONAL KIDNEY LIFT ASSEMBLY





Item	Part No.	Description	Quantity	
			6001	6000
1	1-010-06-8P	PAD, back/seat section .....	1	
2	D3-031-36	TOP, back section .....	1	1
3	D3-031-37	TOP, seat section .....	1	
	D3-031-32	TOP, seat section .....		1
4	D3-010-19	SCREW, top retaining (plated) .....	A/R	A/R
5	D3-031-38	TOP, kidney lift .....	1	1
6	D3-031-39	PIVOT ASSEMBLY .....	2	2
7	D6-031-24	PIN, roll, 5x12 .....	2	2
8	D3-031-40	SHAFT, elevation .....	2	2
9	D6-031-03	CIRCLIP .....	2	2
10	D6-031-04	SPACER .....	A/R	A/R
11	D3-031-41-1	HOUSING, gear, right, S.N. 6001-1986-7-277&L .....	1	1
	D4-031-41	HOUSING, gear, right, S.N. 6001-1986-7-276&P .....	1	1
	D4-031-42-1	HOUSING, gear, left, S.N. 6001-1986-7-277&L .....	1	1
	D4-031-42	HOUSING, gear, left, S.N. 6001-1986-7-276&P .....	1	1
12	D6-010-32	SCREW, set, M4x15 .....	2	2
13	D6-031-05	SCREW, phillips, M4x10 .....	8	8
14	D3-031-43	COVER, gear housing, right .....	1	1
	D3-031-44	COVER, gear housing, left .....	1	1
15	D3-031-45	GEAR .....	2	2
16	D3-031-46	SHAFT, gear .....	2	2
17	D3-031-47	GEAR .....	2	2
	D3-031-47-1	GEAR .....	2	2
18	D3-031-66	BEARING, kidney lift gear .....	1	1
19	D3-031-48	THRUST BEARING ASSEMBLY .....	2	2
20	D3-031-49	GEAR ASSEMBLY, belt drive .....	2	2
21	D6-050-33	PIN, roll, 5x20 .....	2	2
22	D3-031-50	BELT, drive .....	2	2
23	D6-031-07	BOLT, special .....	2	2
24	D6-010-40-1	LOCKWASHER, M6 (plated) .....	6	6
25	D6-010-38	BOLT, allen, M6x15 .....	6	6
26	D3-031-51	BLOCK, guide .....	2	2
27	D6-031-08-1	BOLT, allen, M8x42 (plated) .....	4	4
28	D3-031-52	SHAFT, gear .....	2	2
29	D6-050-33	PIN, roll, M5x20, S.N. 6001-1994-7-1694&L .....	4	4
	D6-031-09	PIN, tapered, S.N. 6001-1994-7-1693&P .....	4	4
30	D3-031-53	GEAR, drive .....	2	2
31	D3-031-54	SHAFT, gear drive .....	1	1
32	D6-031-10	SPACER .....	A/R	A/R
33	D6-031-11	PIN, roll, 5x17 .....	1	1
34	D3-031-60	HANDLE ASSEMBLY, K-lift crank .....	1	1
35	D3-031-56	• HANDLE, K-lift crank .....	1	1
36	D6-010-28-1	• BOLT, allen, M5x6 (plated) .....	1	1
37	D6-031-12	• WASHER, flat, M5 (plated) .....	1	1
38	D3-010-17	KNOB, head rest .....	2	2
39	D3-031-57	COVER, gear housing .....	2	2
40	D6-031-13	SCREW, phillips, M4x8 .....	6	6



Item	Part No.	Description	Quantity	
			6001	6000
41	D3-031-58-1	GEAR .....	2	2
42	D3-031-59	FRAME, back section, beige .....	1	1
	D3-031-59-S	FRAME, back section, silver .....	1	1
43	D3-031-62	SIDE RAIL, back section, right (w/ kidney lift) .....	1	1
	D3-031-63	SIDE RAIL, back section, left (w/ kidney lift) .....	1	1
44	D3-031-70	AXIS, back section (w/ kidney lift) .....	2	2
45	D6-010-76-1	NUT, M5 .....	2	2
46	D6-010-77-1	WASHER, Lock, M5 .....	2	2
47	D3-031-61-L	BRACKET, crank storage .....	1	1
48	D6-010-70	BOLT, allen, M5x10 (crank brkt. mount) .....	2	2
	D6-010-67-1	BOLT, allen, M5x15 (crank brkt. mount) .....	2	2

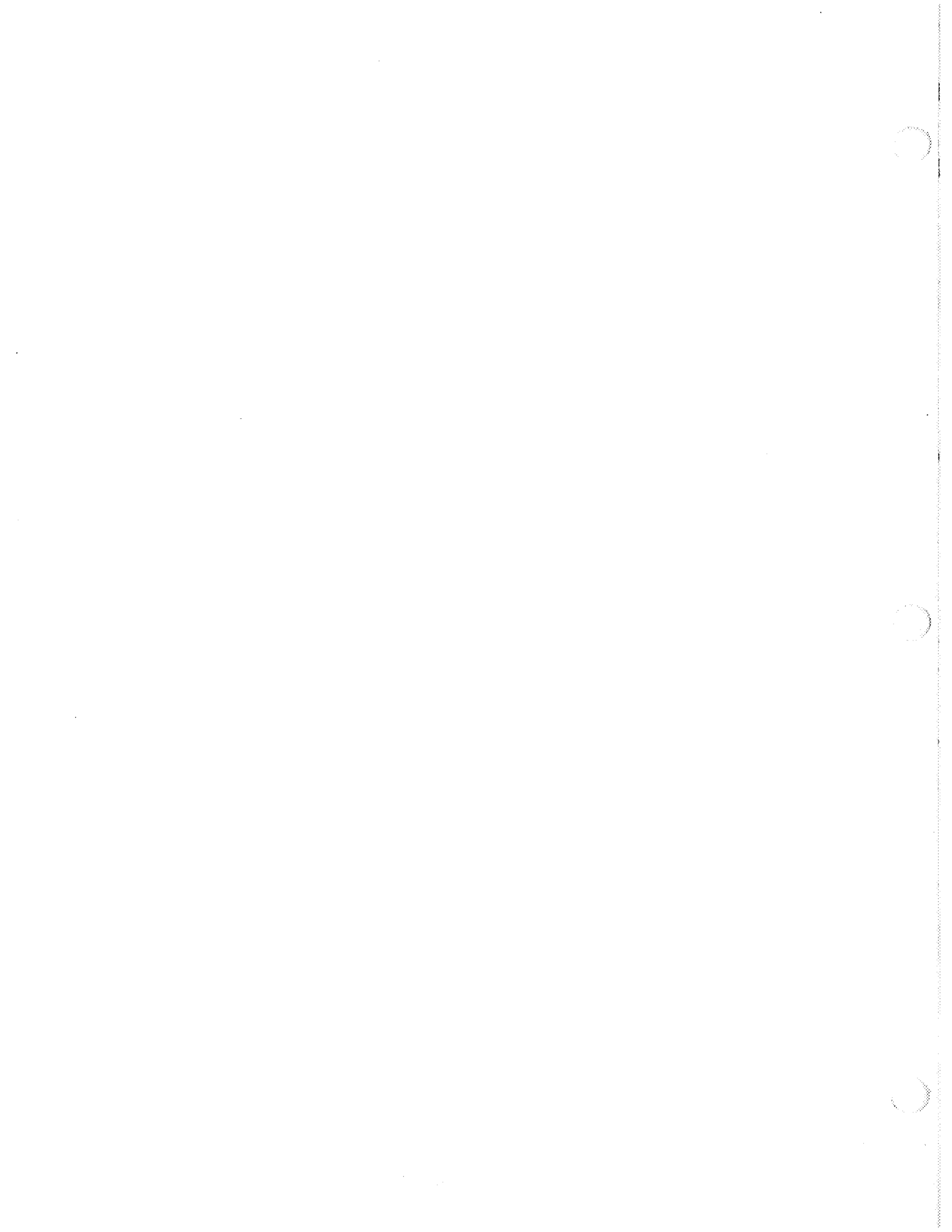
## SPECIAL TOOLS &amp; MAINTENANCE ITEMS

---

Item	Part No.	Description	Qty.
	6-050-02	GAUGE, oil pressure .....	A/R
	D6-010-20	WRENCH, spanner .....	A/R
	D6-010-89	GREASE, slider .....	2.8 oz
	D6-010-90	OIL, hydraulic .....	Qt
	D6-031-50	BRAKE CYLINDER REBUILD KIT (for D4-031-60) .....	A/R
	D6-031-48	BRAKE CYLINDER REBUILD KIT (for D4-031-25) .....	A/R
	D6-031-49	BRAKE CYLINDER REBUILD KIT (for D4-031-34 & D4-031-34-1) .....	A/R
	D4-010-00	O-RING KIT .....	A/R

---









# SKYTRON

5000 36th Street S.E., Grand Rapids, MI 49512  
1-800-SKYTRON 616-957-0500  
(759-8766) FAX 616-957-5053