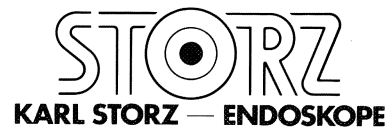
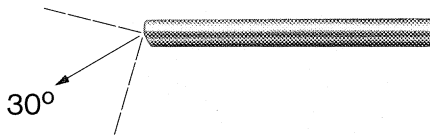
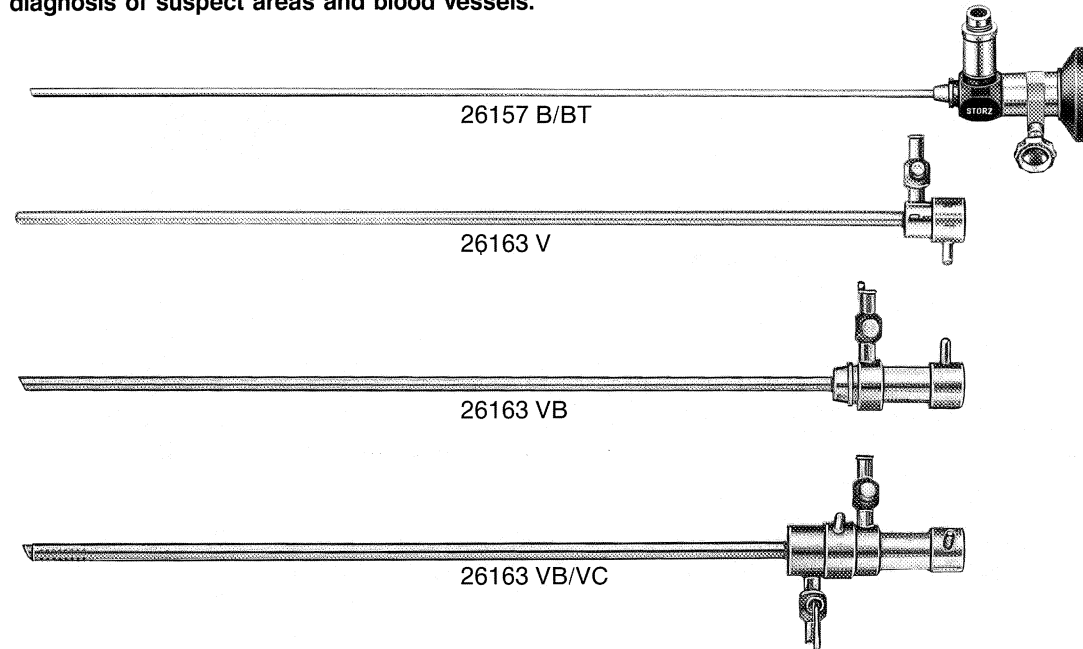


HAMOU Examination Micro-Hysteroscope II,

Standard 4.5 mm – Continuous Flow, 5.5/6.5 mm
with **HOPKINS**® Telescope for panoramic and contact vision,
magnification 1 x, 80 x. For use with rigid operating instruments.

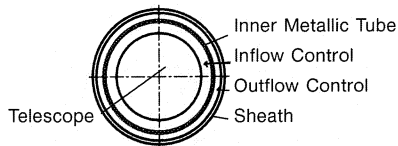


Beside the panoramic view of the **HOPKINS**® telescope 26157 B/BT the magnification 80 x allows in contact with the tissue a significant diagnosis of suspect areas and blood vessels.



- 26157 BT **HAMOU Operating and Contact-Hysteroscope II**, with **HOPKINS**® Forward-Oblique Telescope 30°, **enlarged view**, magnification 1 x, 80 x, diameter 4 mm, length 30 cm. Fiber optic light transmission incorporated. Color code: red.
- 26157 B **HAMOU Operating and Contact-Hysteroscope II**, with **HOPKINS**® Forward-Oblique Telescope 30°, magnification 1 x, 80 x, diameter 4 mm, length 30 cm. Fiber optic light transmission incorporated. Color code: red.

- 26163 V **Examination Sheath**, diameter 4.5 mm, with 1 LUER-lock adaptor.
- 26163 VB **Examination Sheath**, diameter 5.5 mm, with 1 LUER-lock adaptor.
- 26163 VC **Continuous-Flow Examination Sheath**, diameter 6.5 mm, to be used with 26163 VB as inner sheath, with 1 LUER-lock adaptor.



Continuous-Flow Examination and Operating Hysteroscope see page HYST 15–17.
HAMOU Micro-Hysteroflator® see page HYST-UNITS 2–3.
HAMOU ENDOMAT® see page HYST-UNITS 4–5.
Operating Hysteroscope see page HYST 20.
Operating Hystero-Resectoscope see page HYST-RES 2–9.