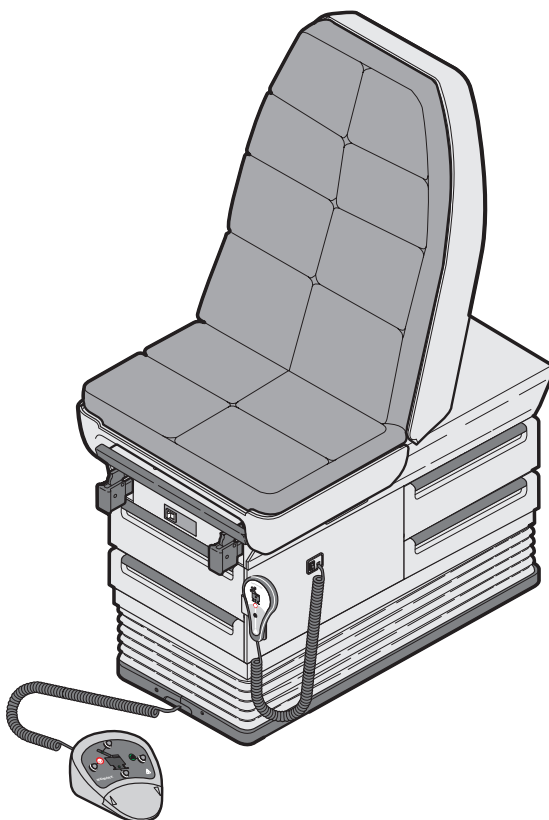


MIDMARK®

Installation and Operation Manual

405 Examination Table



**Important
Information**
Page 2

Installation
Page 3

Description
Page 8

**Components
Overview**
Page 10

**Controls &
Indicators**
Page 11

Operation
Page 14

**Operator
Maintenance**
Page 24

**Calling For
Service**
Page 26

Specifications
Page 26

**Limited
Warranty**
Page 27

MA446600

Owner's Product Identification

(information that you will need to provide for servicing - key information is highlighted)

Date of Purchase

Serial Number

Name of Owner / Facility / Department

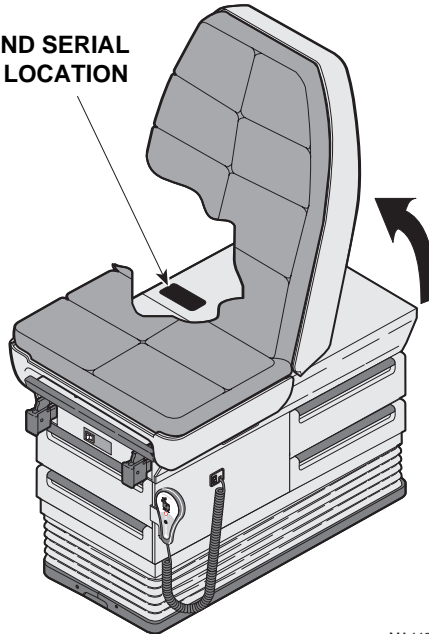
Model Number

Name of Authorized Midmark Dealer

Telephone # of Authorized Midmark Dealer

Address of Authorized Midmark Dealer

**MODEL AND SERIAL
NUMBER LOCATION**



CONTENTS

IMPORTANT INFORMATION	2
Scope and Purpose of This Manual	2
Intended Use of Product.....	2
Safety Instructions.....	2
Explanation of Safety Symbols and Notes	2
Transportation and Storage Conditions.....	3
INSTALLATION.....	3
Unpacking	3
Leveling The Table	5
Electrical Requirements	5
Installing Paper Retaining Straps and Upholstered Top.....	6
Installing Hand Control and Foot Control (optional)	7
Installing Paper Roll Dowel Rod	8
Electromagnetic Interference	8
DESCRIPTION.....	8
Introduction.....	8
Features	9
COMPONENTS OVERVIEW	10
CONTROLS & INDICATORS	11
OPERATION	14
Hand Control	14
Back Section Positioning	15
Table Top Height Positioning	16
Auto Return To Home Positioning	17
Stirrups Positioning	17
Footrest	19
Treatment Pan	19
Paper Roll.....	20
Pelvic Lift	20
Drawer Heater (optional)	21
Foot Control Operation (optional).....	21
List of Authorized Accessories	23
Patient Positioning.....	24
OPERATOR MAINTENANCE	24
Preventive Maintenance	24
Cleaning	25
CALLING FOR SERVICE	26
SPECIFICATIONS	26
LIMITED WARRANTY	27

IMPORTANT INFORMATION

Scope and Purpose of This Manual

This manual covers complete instructions for the installation, operation, and normal care of the 405 Medical Examination Table. It is intended that this manual be used by any medical personnel responsible for operating the examination table during a medical procedure or performing operator level maintenance.

Intended Use of Product

This product is intended to be used as either a chair or table to provide positioning and support of patients during general examinations and procedures conducted by qualified medical professionals.

Safety Instructions

The primary concern of Midmark is that this equipment is operated and maintained with the safety of the patient and staff in mind. To assure safer and more reliable operation:

- Read and understand this manual before attempting to install or operate the table.
- Assure that appropriate personnel are informed on the contents of this manual; this is the responsibility of the purchaser.
- Assure that this manual is located near the table, or if possible, permanently affixed to the table.

Explanation of Safety Symbols and Notes



DANGER

Indicates an imminently hazardous situation which, if not avoided, will result in death or serious injury. The **DANGER** symbol is limited to the most extreme situations.



WARNING

Indicates a potentially hazardous situation which, if not avoided, could result in death or serious injury.



CAUTION

Indicates a potentially hazardous situation which, if not avoided, may result in minor or moderate injury. It may also be used to alert against unsafe practices.



EQUIPMENT ALERT

Indicates an imminently or potentially hazardous situation which, if not avoided, will or may result in serious, moderate, or minor equipment damage.

NOTE

Amplifies an operating procedure, practice, or condition.



Indicates that operator's manual should be consulted for important information.



Indicates that product is fragile; do not handle roughly.



Indicates a protective earth ground.



Indicates proper shipping orientation for the product.



Indicates that product must be kept dry.

Transportation and Storage Conditions

- Ambient Temperature Range: -22°F to 140°F (-30°C to +60°C)
- Relative Humidity 10% to 90% (non-condensing)
- Atmospheric Pressure 0.5 bar to 1.06 bars (500hPa to 1060 hPa)

INSTALLATION

Unpacking



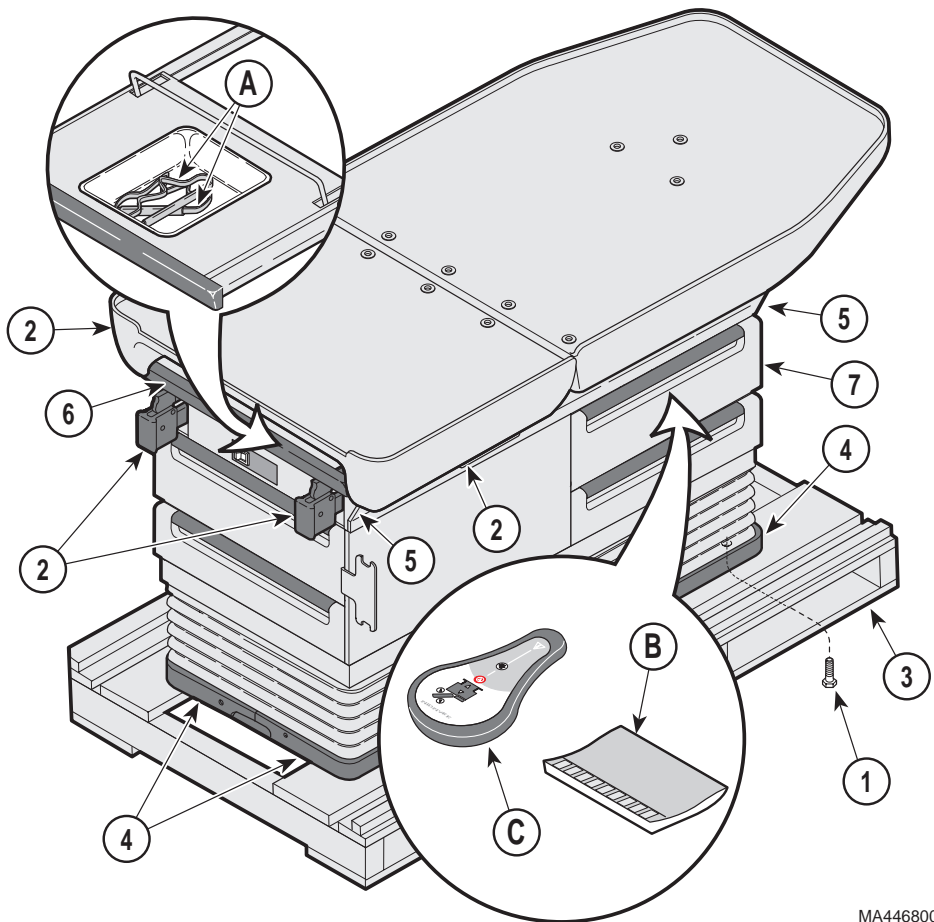
EQUIPMENT ALERT

To avoid damaging the table's table top or side panels, do not use a knife or other sharp object to open the table's packaging. Also, to avoid damaging table, do not lift at points (2).

Carefully remove packaging from table and then inspect table for any shipping damage. Report any damage to the shipping company and fill out a concealed

damage report.

Installation



MA446800

Using 1/2 in open end wrench or socket, unbolt table from wooden shipping skid by removing four bolts (1) from the underside of table's base; one is located on each corner of the table.



WARNING

The table weighs approximately 454.0 lbs (205.9 kgs). Get an assistant to help remove table from shipping skid. Also, use proper lifting techniques when lifting table. Failure to do so could result in serious back injury.

After unbolting, remove table from shipping skid (3), lifting at points (4 or 5). **Do not** lift at points (2); these are unsupported areas. Position table in room as desired.

Remove packing tape from stirrups. Pull out foot extension (6) and remove packing tape from foot extension and treatment pan components. Remove paper retaining straps (A) from treatment pan. Return foot extension (6) to its stowed position. Remove Installation & Operation Manual (B) and hand control (C) from top, side drawer (7).

Leveling The Table

A leveling screw pad (1) is located under each corner of the table's base. Adjust the four leveling screw pads (1) up or down (by turning them) until a solid, level installation is achieved.

Electrical Requirements

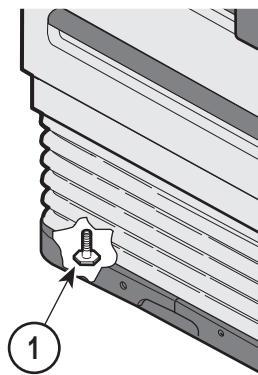


WARNING

All exposed metal parts of table are electrically grounded. When performing a cauterization or similar treatment, the patient must be insulated from metal portions of table by nonconductive material. Failure to do so could result in electrical shock or burns to patient.

Use 115 ±10% VAC, 50/60 HZ only. Failure to do so could result in electrical shock to personnel and will result in damage to table.

Continuity of grounding circuit should be checked periodically. Total system chassis risk current should not exceed 500µA.



MA446900

The electrical rating for the Model 405 Medical Examination table is 115 ±10% VAC, 50/60 Hz, 12.0 amps. The table must be connected to a branch circuit with a capacity of 12.0 amps in accordance with local and national electrical codes. To prevent possible shock, table must be grounded properly and tested. The single table power cord provides power for all electrical functions of table, including receptacle and drawer heater (optional).

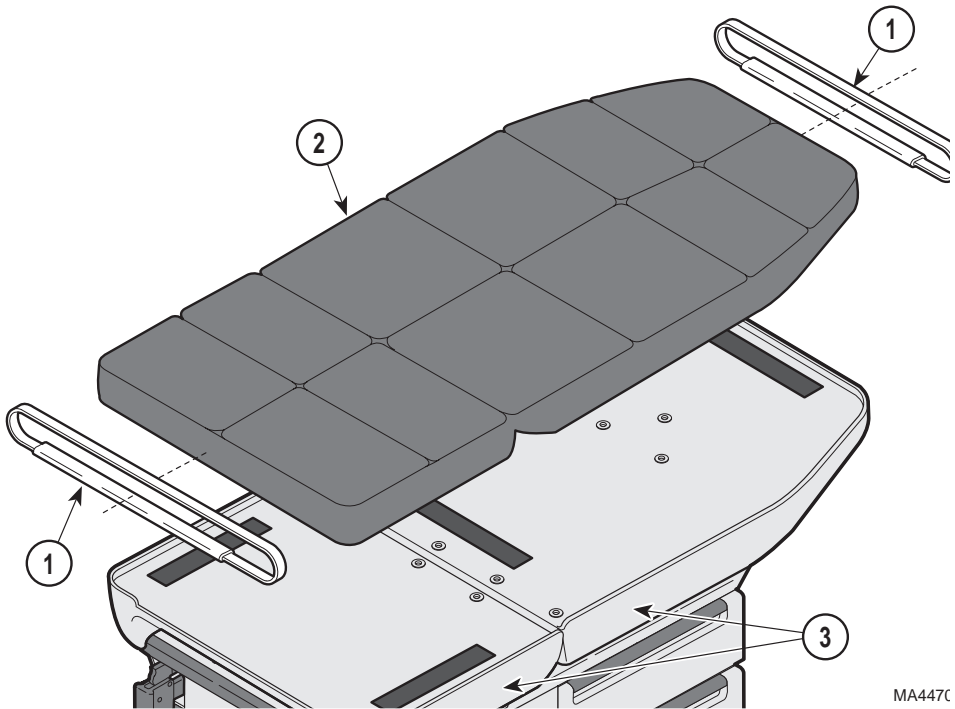
Installing Paper Retaining Straps and Upholstered Top

Installation

NOTE

The retaining straps may have to be stretched in order for them to be installed. The material will recover, becoming taut again after installation.

Two retaining straps (1) are shipped in treatment pan. **To install retaining straps (1)**, position both retaining straps on upholstered top (2) as shown, making sure elastic portion of strap is facing toward rear of the upholstered top.

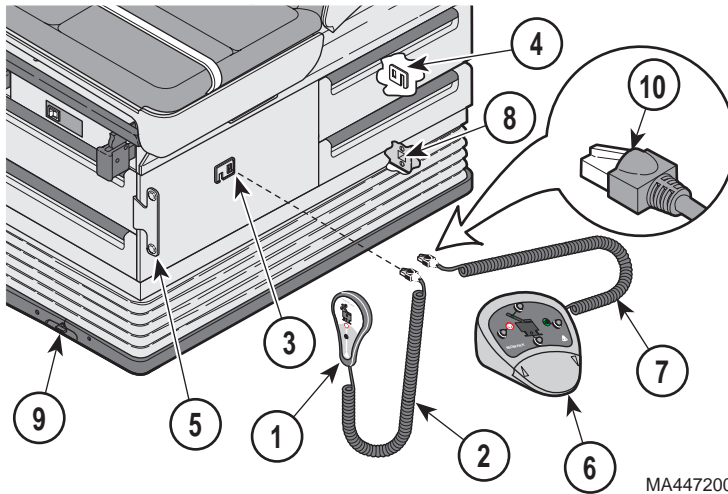


MA447C

The upholstery for table is supplied in a separate box. Remove upholstery from packaging and inspect it for damage. **To install upholstered top (2)**, simply install retaining straps and then position upholstered top on table top (3), pressing firmly into place.

Installing Hand Control and Foot Control (optional)

To install hand control (1), remove hand control and hand control coil cord (2) from its shipping location in top, side drawer. Insert end of coil cord (2) into hand control receptacle (3 or 4).



Hang hand control (1) on hand control hanger (5).

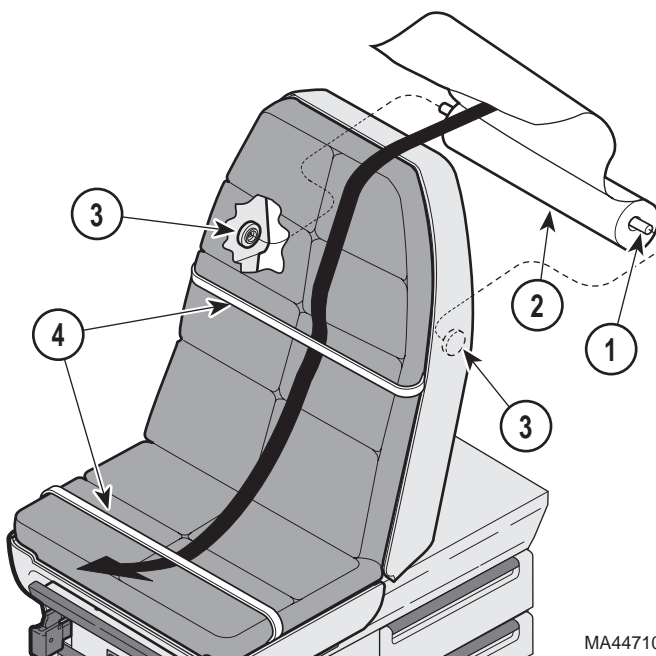
To install foot control (optional accessory), remove foot control (6) from its shipping box. Insert end of coil cord (7) into foot control receptacle (8 or 9), depending on desired location of foot control.

To disconnect hand control or foot control from table, depress tab (10) on coil cord plug and pull plug from receptacle. If desired, hand control and foot control plug-in locations may be interchanged; the hand control may be plugged into foot control receptacle (8 or 9) and foot control may be plugged into hand control receptacle (3 or 4).

Installing Paper Roll Dowel Rod

A dowel rod (1) for supporting up to a 18 in. x 3.5 in. (45.7 cm x 8.9 cm) diameter paper roll (2) is shipped in top, side drawer. **To install paper roll dowel rod (1)**, raise back section upward, slip dowel rod through paper roll (2), and then place the dowel rod ends in support sockets (3), located on the rear side of table's back section.

Feed paper under both retaining straps (4); new paper may now be pulled out quickly and easily for each patient.



MA447100

Electromagnetic Interference

This product is designed and built to minimize electromagnetic interference with other devices. However, if interference is noticed between another device and this product, remove interfering device from room or plug this product into an isolated circuit.

DESCRIPTION

Introduction

The 405 Medical Examination Table is primarily used in examination rooms for general examinations. The table top has actuator powered back and base motions. Also, when supported with pelvic lift bar, the lithotomy position can be achieved. There are four storage drawers which accommodate supplies used during examinations.

The Model 405 comes in the following configurations:

- R.H. exam table with removable top (405-015)
- L.H. exam table with removable top (405-016)

- R.H. exam table with drawer heater and removable top (405-017)
- L.H. exam table with drawer heater and removable top (405-018)

Features

The Model 405 Medical Examination Table has . . .

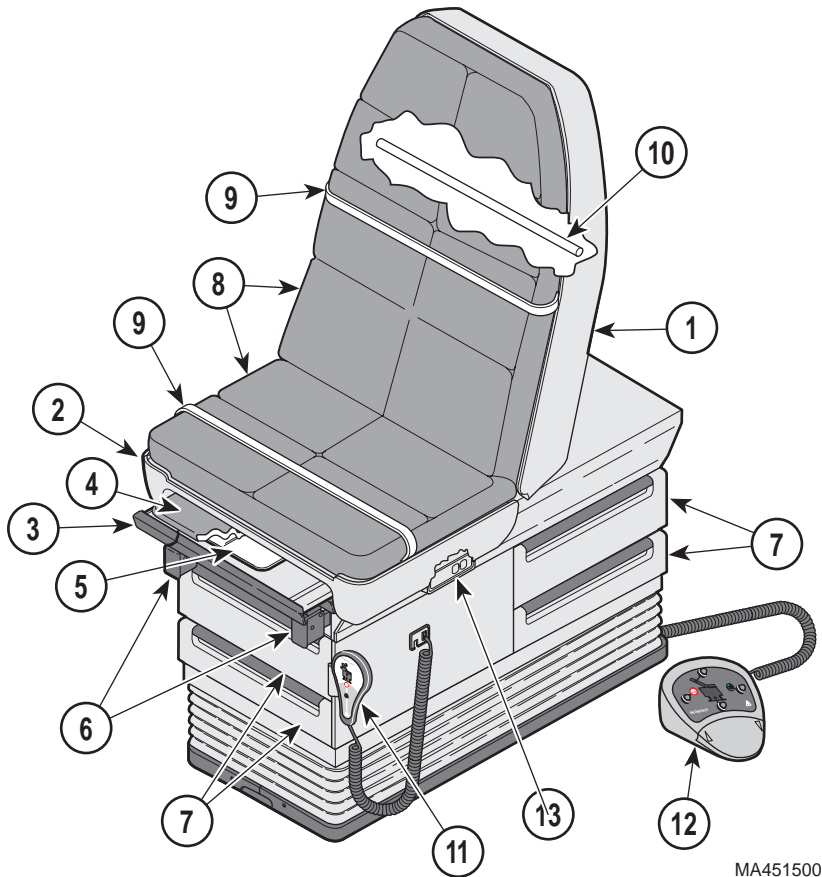
- a powered back section which is moved by an electromechanical actuator and is controlled by either a hand control or optional foot control. The back section is adjustable from a full horizontal position to a chair position.
- a powered base section (adjusts table top height) which is raised and lowered by an electromechanical actuator and is controlled by either a hand control or optional foot control.
- a hand control which allows operator to position table or initiate the AUTO RETURN function.
- an **optional** foot control which allows operator to position table or initiate the AUTO RETURN function, without using hands. Also, foot control can detect when it is tipped over, and disables table to prevent any unwanted movement.
- an **optional** 60 WATT drawer heater, located in top drawer at foot end of table, which warms contents of drawer to body temperature which is approximately 95°F (35°C).
- a disable switch which allows operator to disable table during a procedure to prevent patients from operating table.
- a pelvic lift bar allowing seat section to be positioned in Lithotomy position (+5° from horizontal).
- an extendable footrest shelf which includes a positionable upholstered pad (7° tilt) and a removable treatment pan.
- right and left stirrups which can be extended to an infinite number of positions (up to 14 in. / 35.5 cm) as well as laterally in four positions.
- four storage drawers on steel ball bearing glides; two drawers on foot end of table and two drawers on either right or left side of table (selected at time of purchase).
- styled drawer fronts which have molded hand pulls and come with snap-in (tool-less) epoxy painted color steel or formica inserts.
- a duplex receptacle, located on left side of table, near foot end.
- a styled upholstery top which is removable without use of tools.
- a paper roll holder which is hidden in head end of upholstered top and tear strips, located at foot end and head end of upholstered top, to secure examination paper during a patient examination or procedure. The paper roll holder can support up to a 18 in. x 3.5 in. (45.7 cm to 8.9 cm) diameter paper roll.

Installation

Description

COMPONENTS OVERVIEW

The illustration below shows the location of the table's major components and the chart below provides their descriptive name.



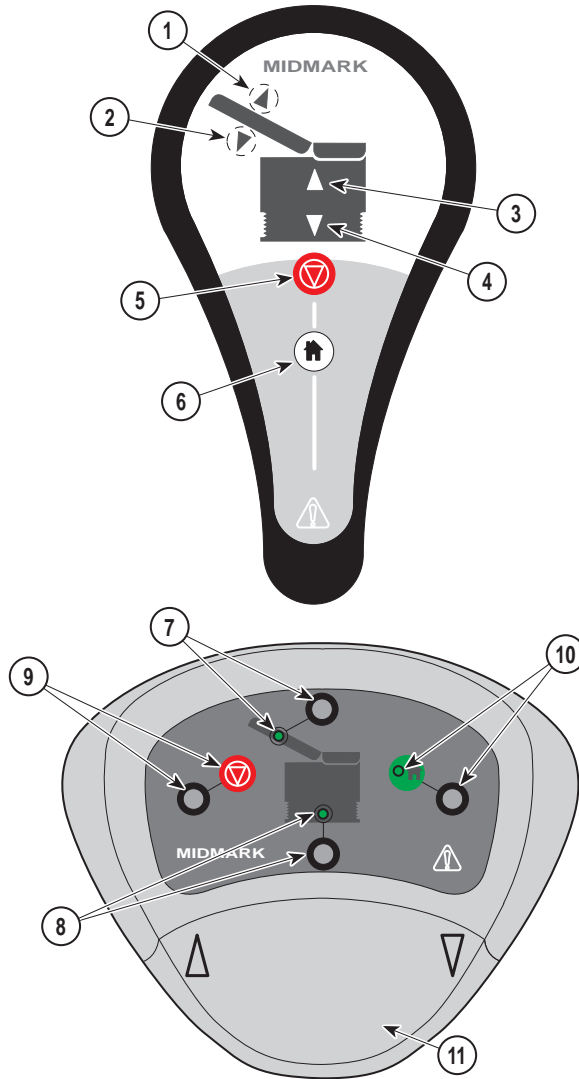
MA451500

DESCRIPTION OF COMPONENTS

1. Back Section (adjustable)	8. Upholstered Top
2. Seat Section (adjustable)	9. Paper Retaining Straps
3. Footrest Extension (extendable)	10. Paper Roll Dowel Rod
4. Footrest Pad (removable)	11. Hand Control
5. Treatment Irrigation Pan	12. Foot Control (optional)
6. Stirrups	13. Duplex Receptacle
7. Storage Drawers	

CONTROLS & INDICATORS

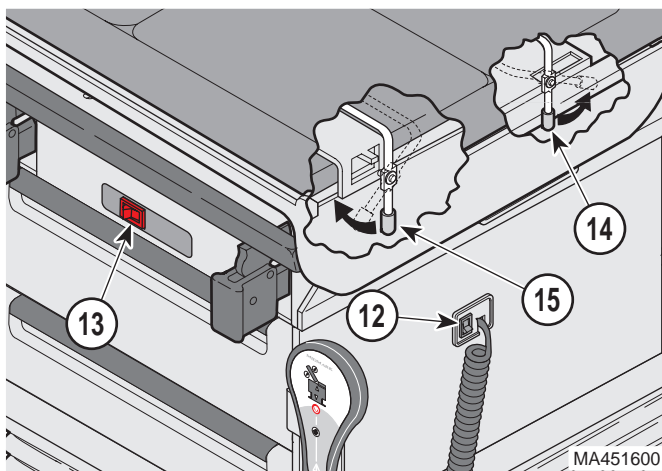
The illustration below shows the location of the table's controls and indicators and the chart below describes their function.



MA447400

Components
Overview

Controls &
Indicators



Controls & Indicators

Ref.	Control	Function
1	Back Up button	when pressed, back section raises.
2	Back Down button	when pressed, back section lowers.
3	Table Up button	when pressed, entire table top raises.
4	Table Down button	when pressed, entire table top lowers.
5	Stop button	when pressed, all table movement is stopped and any active function(s) are deselected.
6	Home button	when pressed, table top will lower all the way to its lowest height.
7	Back Function selector button & lamp	when depressed, Back function is activated; the up / down foot pedal can now be depressed to position the back section. The lamp illuminates to indicate Back function is activated.
8	Table Function selector button & lamp	when depressed, Table function is activated; the up / down foot pedal can now be depressed to position the table top. The lamp illuminates to indicate Table function is activated.
9	Stop button	when pressed, all table movement is stopped and any active function(s) are deselected.
10	Home button & lamp	when depressed, Home function is enabled; the down foot pedal can now be depressed to activate the Home function, lowering the table top all the way to its lowest height.

Ref.	Control	Function
11	<i>Up / Down Foot pedal</i>	<i>when foot pedal is depressed to left, the function which is activated will be raised. When foot pedal is depressed to right, the function which is activated will be lowered. Also used to initiate the "Return to Home" function after it has been selected.</i>
12	<i>Control Disable switch</i>	<i>when switched to STANDBY, table movement is disabled, preventing unwanted table movement if a function is selected.</i>
13	<i>Heater ON / OFF switch</i>	<i>when turned to ON, contents of top, foot end drawer are warmed up to approximately body temperature.</i>
14	<i>Footrest Lift handle</i>	<i>used to lower footrest lift bar when it is desired to return footrest pad to horizontal position.</i>
15	<i>Pelvic Lift handle</i>	<i>used to lower pelvic lift bar when it is desired to return seat section to horizontal position.</i>

Controls & Indicators

OPERATION



WARNING

Do not use this table in an explosive or oxygen-rich atmosphere. To do so could result in an explosion or fire.

If table malfunctions, immediately remove your hand or foot from button / foot pedal, unplug power cord from receptacle, and assist patient from table. If table continues to malfunction, call for service; do not attempt to repair table yourself.

Also, remove or move all applicable accessories out of way when positioning table. Failure to do so could create pinch points, injuring a patient or damage to accessories or table.

Hand Control

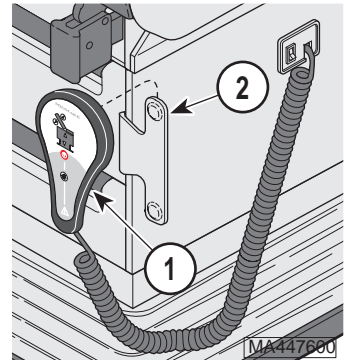


EQUIPMENT ALERT

The hand control is moisture resistant and operates on low voltage, eliminating hand control shock hazards. However, to avoid temporary or permanent damage to hand control, do not immerse hand control in water / fluids.

Operation

To use hand control (1), remove hand control from its hanger (2), by pulling it straight up and holding it in the palm of your hand, or if desired, let hand control remain mounted on hanger. Depress button of the desired function to activate that function. If removed, replace hand control (1) on its hanger (2) when table positioning is complete. A more detailed description of each of the hand control functions is included throughout remainder of this section.



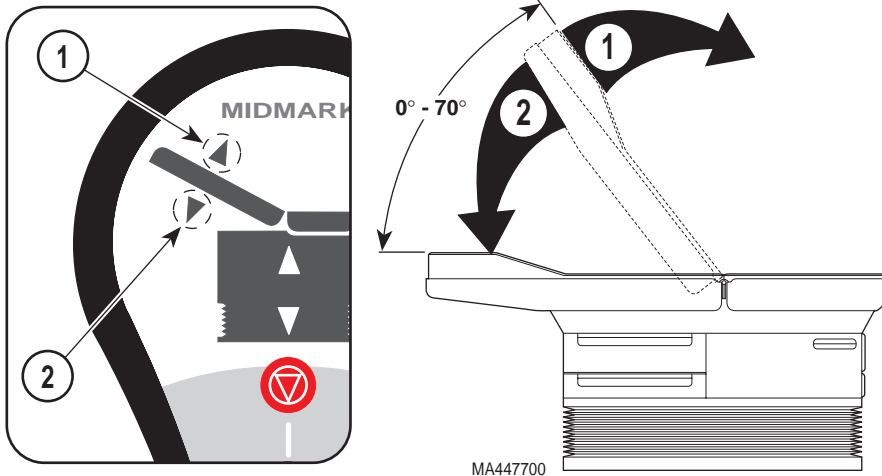
Back Section Positioning



EQUIPMENT ALERT

The back section will automatically stop moving when either the UP or DOWN travel limit is reached, but actuator motor will continue to run. Do not continue to operate a function that has reached its travel limit; this will cause motor to exceed its allowable operating temperature and be stopped by its thermal overload switch, and may reduce the life of actuator motor.

The back section can be positioned at any angle between horizontal and +70°.



To raise back section upward to a chair position, depress and hold Back Up button (1) until back section reaches desired angle or chair position is achieved.

To lower back section to a horizontal (flat table top) position, depress and hold Back Down button (2) until back section reaches desired angle or horizontal position is achieved.

Operation

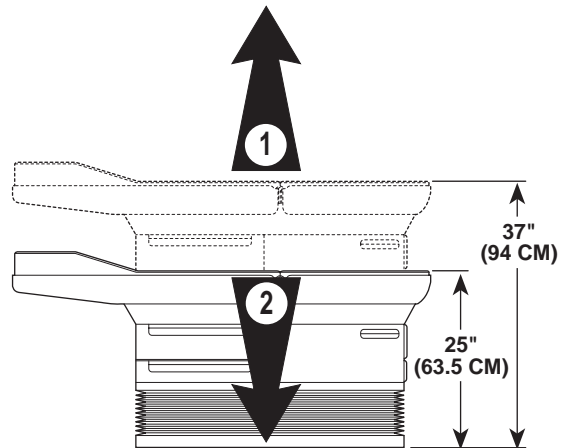
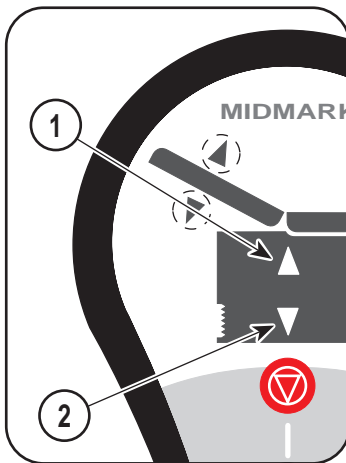
Table Top Height Positioning



EQUIPMENT ALERT

The base function will automatically stop moving when either the UP or DOWN travel limit is reached. When Down travel limit is reached, a sensor will cut power to actuator motor, preventing it from wear and overheating. However, for UP travel limit, actuator motor will continue to run. Do not continue to operate a function that has reached its travel limit; this will cause motor to exceed its allowable operating temperature and be stopped by its thermal overload switch, and may reduce life of actuator motor.

The table top can be positioned at any height between 25 in. to 37 in. (63.5 cm to 94.0 cm).



MA451701

Operation

To raise table top, depress and hold Table Up button (1) until table top reaches desired height or maximum height is achieved.

To lower table top, depress and hold Table Down button (2) until table top reaches desired height or minimum height is achieved.

Auto Return To Home Positioning

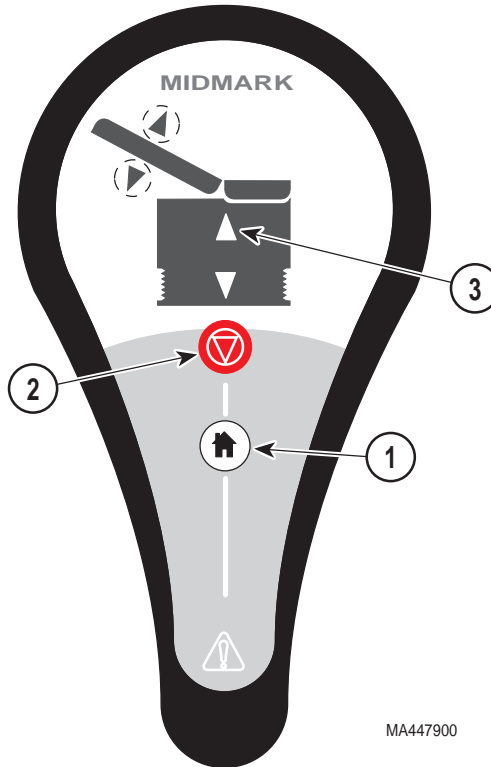


WARNING

Make sure all personnel, stools, or other equipment are clear of table before selecting Home function. Failure to do so could result in serious personal injury and / or equipment damage.

The Home position function will lower table top to its lowest position; the back function will not move.

To activate return to Home position function, momentarily press Home position button (1) on hand control. If, for any reason, the table must be stopped, press Stop button (2) on hand control or foot control. If it is desired to interrupt Home position function to position table, press Table Up button (3). Pressing either button will stop Home position function and allow operator to proceed with table positioning using standard positioning buttons.



Stirrups Positioning

To erect a stirrup, grasp end of stirrup and pull stirrup straight out of table to full extension. Unfold stirrup upward to an erect position.

NOTE

If you are applying any downward pressure on the end of stirrup when sliding it in or out, it may be very difficult to move. This is normal and is part of stirrup extension locking mechanism. For ease of movement, lift up slightly while sliding stirrup in or out.

To adjust stirrup extension length, hold end of stirrup and slide in or out until

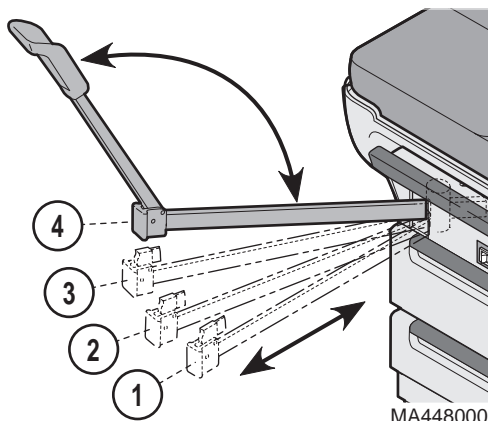
desired extension is achieved.



WARNING

Failure to engage lateral locking mechanism could allow patient to lose balance resulting in personal injury to patient.

To adjust lateral position of a stirrup, lift end of stirrup and then rotate stirrup to right or left into one of four possible lateral positions. The stirrup will click into each position as it is rotated. When desired position is attained, lower stirrup to engage lateral locking mechanism. Check that lateral locking mechanism is engaged by attempting to rotate stirrup assembly without lifting on stirrup end.



To return stirrup to storage, grasp end of stirrup and pull stirrup straight out to full extension. Fold stirrup down against bar, rotate stirrup to lateral position 1, and then slide stirrup back into stowed position.

Footrest



WARNING

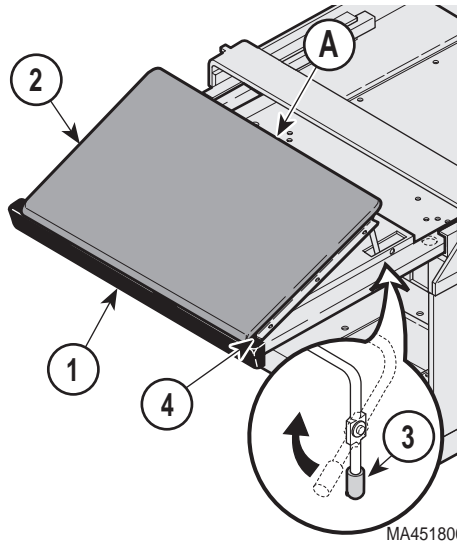
The foot extension is not intended to be extended during front entry onto or exit off of table; nor is it intended to be used as a seat. Failure to heed this warning could result in serious personal injury to patient.

To position footrest (1), pull footrest out to desired position. The upholstered pad (2) on footrest will extend with footrest.

The upholstered pad (2) may be tilted upward (+7°) to improve patient comfort. To tilt upholstered pad, lift pad at Point (A); the spring loaded support handle (3) will snap into place, securing upholstered pad in place.

To remove upholstered footrest pad (2) from footrest (1), fully extend the footrest and lift upholstered pad straight up off footrest.

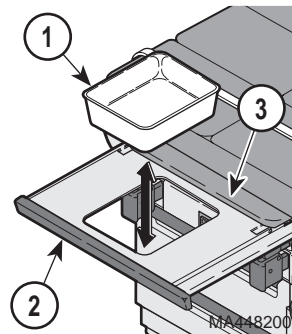
To replace upholstered footrest pad (2), position pad so its retaining hooks (4) face toward foot end of table. Then, rotate footrest support handle (3) downward to its stowed position while lowering upholstered footrest pad (2) onto footrest.



Treatment Pan

To expose treatment pan (1) for use, grasp footrest (2) and pull until footrest is fully extended. Then, slide upholstered footrest pad (3) back into table. Now, grasp footrest (2) again and slide footrest in or out until treatment pan is positioned as desired.

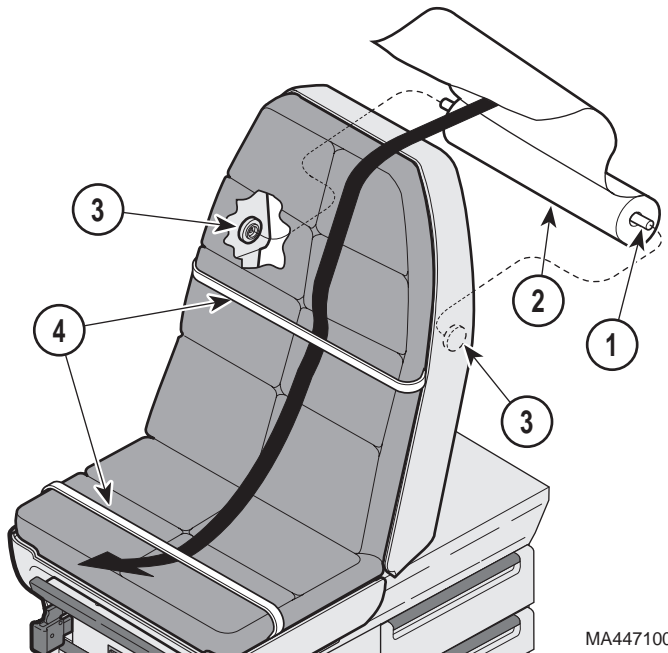
The treatment pan (1) can easily be removed for cleaning when footrest (2) is fully extended.



Operation

Paper Roll

A dowel rod (1) for supporting a paper roll is supplied with table [dowel rod will support up to a 18 in. x 3-1/2 in. (45.7 cm x 8.9 cm) paper roll]. **To install paper roll dowel rod (1)**, raise back section upward, slip dowel rod through paper roll (2), and then place dowel rod ends in support sockets (3), located on rear side of table's back section. Feed paper under both retaining straps (4); new paper may now be pulled out quickly and easily for each patient.



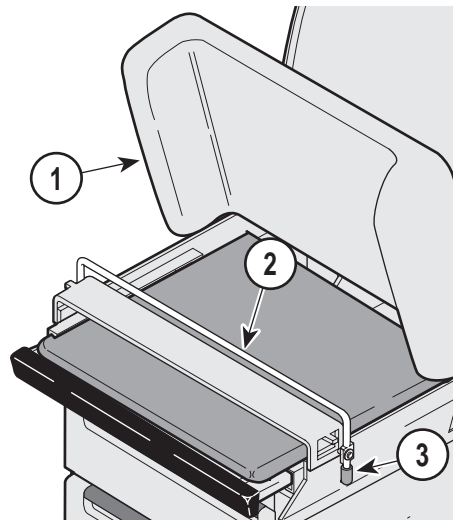
MA447100

Operation

Pelvic Lift

To raise seat section (1) to the Pelvic Lift Position, grasp lower edge of seat section and raise slightly until spring-loaded pelvic lift support bar (2) snaps to its full upright and locked position. Lower seat section onto support bar.

To lower seat section (1) back to normal position, grasp edge of seat section and raise slightly; then rotate pelvic lift support bar (2) down by pulling on its handle (3); then lower seat section down.



Drawer Heater (optional)



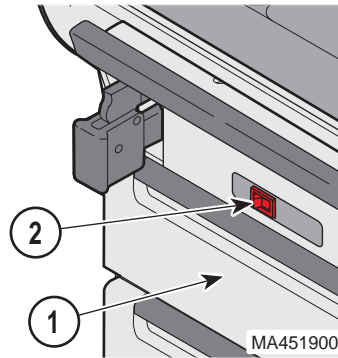
CAUTION

The drawer heater may be touched when reaching in top drawer; it is hot and could result in minor burns to hands. Also, metal surface above drawer may be hot and could result in minor burns to your hand. Do not let contents of top drawer exceed top of drawer; contents packed above drawer top could be damaged by drawer heater.

The drawer heater preheats contents of top drawer (1) on foot end of table to approximately body temperature.

To operate heater, turn heater ON/ OFF switch (2) to ON “I”. The switch will illuminate to indicate that heater is operating.

To turn heater off, turn heater on / off switch (2) to OFF “O”. The switch will stop illuminating, indicating that heater is no longer operating.



Foot Control Operation (optional)



CAUTION

Keep foreign objects away from foot control. Failure to do so could result in a frightened patient and / or damage to table.



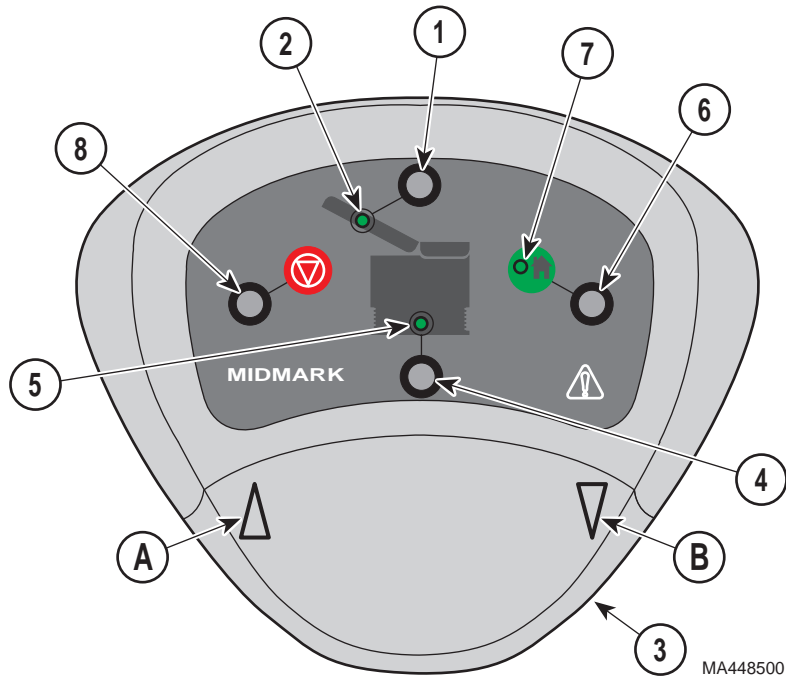
EQUIPMENT ALERT

The foot control is moisture resistant and runs on low voltage, eliminating foot control shock hazards. However, to avoid temporary or permanent damage to foot control, avoid immersing foot control in water / fluids.

Place foot control where it will not be in way of other staff members, but can easily be reached by operator.

NOTE

Once a function button is depressed, the function remains activated for 10 seconds or until another function is selected; only one function may be selected at a time. When a function is moved using the foot pedal, the function's activation time is reset for another 10 seconds.



Operation

To adjust back section, depress Back function button (1) to activate the Back function; the Back function L.E.D (2) will illuminate to indicate that Back function is activated. Then, depress and hold foot pedal (3) to the **left** (A) to raise back section as desired or depress and hold foot pedal (3) to the **right** (B) to lower back section as desired.

To adjust table top height, depress Table function button (4) to activate Table function; the Table function L.E.D (5) will illuminate to indicate that Table function is activated. Then, depress and hold foot pedal (3) to the **left** (A) to raise table top or depress and hold foot pedal (3) to the **right** (B) to lower table top.

To activate auto return to Home position, momentarily depress the Home function button (6) to activate Home Function; Home function lamp (7) will illuminate to indicate that Home function is activated. Then, momentarily depress foot pedal (3) to the **right** (B), causing table top to lower (Home function lamp will turn off and Table function lamp will illuminate for 15 seconds). If, for any reason, table must be stopped, depress Stop button (8). If it is desired to interrupt Home function to position table top, depress foot pedal (3) to the **left** (A) to raise table top or depress any other function button.

List of Authorized Accessories

Listed below are the accessories which are authorized for use with this table.

Accessory / Option Name	Order Number	Restrictions / Intended Use
Procto Rest	9A0400X	Intended Use - To provide patient support and positioning during a proctological exam.
Stainless Treatment Pan	9A7000X	Intended Use - To provide a sterilizable container to hold or store items or debris for or from an examination or treatment. The treatment pan is not intended to hold more than 29.6 c.c. (1 oz.). Restrictions - Do not use simultaneously with 9A10400X, Urology Drain Pan.
Restraint Straps	9A8800X	Intended Use - To confine a patient to table top during an examination or general procedure.
Armboard w/2 brackets	9A9000X	Intended Use - To hold an arm in a secure position.
Welch Allyn Bracket	9A9100X	Intended Use - To hold Welch Allyn Light on examination table.
Colposcope Mount	9A10100X	Intended Use - To hold a Zeiss Colposcope on examination table.
Urology Drain Pan w/hose	9A10400X	Intended Use - To provide a sterilizable container to strain fluids from a urological examination or procedure and to allow for drainage of the strained fluid through a hose. Restrictions - Do not use simultaneously with 9A7000X, Stainless Drain Pan.
Knee Crutches	9A14000X	Intended Use - To provide support for knees and legs for pelvic examinations.
Knee Crutches	9A20700X	Intended Use - To provide support for knees and legs for pelvic examinations.
Foot Control	9A23900X	Intended Use - To position table before, during, or after an examination or general procedure by using foot.
Drawer Heater	9A10900X	Intended Use - To provide a heater for the top, foot end drawer to warm contents of drawer to body temperature which is approximately 95°F (35°C). Restrictions - the table must have a receptacle installed before a drawer heater may be installed.
Pull Out Foot Extension	Standard Equipment	Intended Use - To provide support for patients feet during an examination or a procedure. The foot extension is not intended to be extended during front entry onto or exit off of table; nor is it intended to be used as a seat.

Operation

Accessory / Option Name	Order Number	Restrictions / Intended Use
Treatment Pan	Standard Equipment	<p>Intended Use - To provide a convenient container to hold or store items or debris for or from an examination or treatment. The treatment pan is not intended to hold more than 29.6 c.c. (1 oz.).</p> <p>Restrictions - Do not use simultaneously with 9A7000X, Stainless Drain Pan or 9A10400X, Urology Drain Pan.</p>
Replacement Colored Drawer Front Inserts	002-0256-XX	Intended Use - To provide replacement inserts.
Replacement Upholstered Top and Colored Drawer Front Inserts	002-0257-XX	Intended Use - To provide replacement upholstery and drawer front inserts due to wear or remodeling of office decor.

Patient Positioning

The table is designed to accommodate the following examination positions:

- Full Flat Table Position
- Chair Position
- Lithotomy (Pelvic) Position

OPERATOR MAINTENANCE

Preventive Maintenance

Little routine maintenance is required other than periodic inspection of electrical cord to ensure it is free of cuts or damage, periodic inspection of mechanical functions to ensure satisfactory operation, and periodic check of fasteners to ensure they are present and tightened securely.

Have your authorized dealer inspect your table every six months. Oil moving parts (such as back hinge, pelvic tilt points, and stirrup indexing pivot) with a light machine oil to assure quiet, smooth, and dependable operation.

Operation

Operator Maintenance

Cleaning

Upholstery



EQUIPMENT ALERT

The upholstery material that covers the top of table is resistant to most medicinal-types stains, but may be damaged by solvents and dyes. Remove any fluids which are spilled on the upholstery immediately.

Regular care should be maintained by daily wiping with a damp cloth or sponge, and periodic cleaning with a mild soap and water solution.

Painted Metal Surfaces

Wipe all painted metal surfaces with a clean cloth at least once a week. Apply paste wax periodically to preserve the surface luster.

Drawers



CAUTION

Turn off drawer heater and let it cool before removing top foot drawer for cleaning. Failure to do so could result in minor burns.

The drawers may be removed for cleaning by pulling drawer straight out.

Drawer Insert Panels

Wipe all drawer insert panels with a clean cloth at least once a week. Apply paste wax periodically to preserve surface luster. If necessary, insert panels can easily be removed for cleaning by reaching up from behind and pushing out on insert panel with index finger.

Unpainted Metal Surfaces

Wipe all unpainted metal surfaces with a clean cloth. Use petroleum jelly or other white lubricants on moving parts. Lubrication will allow free movement of sliding parts and reduce noise.

Operation

**Operator
Maintenance**

CALLING FOR SERVICE

If you are having a problem or have a question, refer to the inside front cover of this manual and call your dealer. Make sure that you have the information that is highlighted on inside front cover of this manual available. If you can't resolve your question or problem with your dealer, call the following number:

1-800-Midmark (1-800-643-6275) or 937-526-3662
8:00 a.m. until 5:00 p.m. (Eastern Standard Time in the U.S.)
Monday thru Friday, except for standard U.S. holidays.

SPECIFICATIONS

Patient Weight (Maximum):	300.0 lbs (136.0 kgs)
Weight of Table:	454.0 lbs (205.9 kgs)
Back Section Adjustment:	0° to 70° (±5°)
Table Top Height Adjustment:	25 in. to 37 in. (63.5 cm to 94.0 cm)
Pelvic Lift Adjustment:	Seat section adjustable to +5°.
Stirrup Extension (Maximum):	14 in. (35.5 cm)
Stirrup Lateral Positions:	Four lateral positions
Footrest Extension (Maximum):	17.75 in. (45.1 cm)
Footrest Extension:	Adjustable to +7°
Table Dimensions:	
Styled Upholstered Top	27.0 in. wide x 55.0 in. long (68.6 cm wide x 139.5 cm long)
With Footrest Extended	73.0 in. (185.4 cm)
Base	17-31/32 in. x 35-7/32 in. (45.6 cm x 89.5 cm)
Electrical Requirements:	
Power Requirements	115 ±10% VAC, 50/60 HZ, 12.0 amps
Power Cord:.....	Extends 2.5 m (98.0 in.) 12/3 AWG, Type SJT 300 V cord with hospital grade grounding type plug
Duty Cycle (motor run time):	15 seconds on / 5 minutes off
Paper Roll:	Can accept a paper roll up to 45.7 cm x 8.9 cm diameter (18 in. x 3.5 in. Dia.)
Certifications:	U.L. 544 Approved C.U.L. listed to CSA Standard C22.2 #125 (only on units without drawer heater) ISO-9001 Certified
Classifications:	Class 1, Type B Applied Part, Ordinary Equipment, Continuous Operation
Equipment not suitable for use in the presence of a flammable anesthetic	

Calling For
Service

Specifications

mixture with air, oxygen, or nitrous oxide.

LIMITED WARRANTY

SCOPE OF WARRANTY

Midmark Corporation (“Midmark”) warrants to the original purchaser its new Alternate Care products and components (except for components not warranted under “Exclusions”) manufactured by Midmark to be free from defects in material and workmanship under normal use and service. Midmark’s obligation under this warranty is limited to the repair or replacement, at Midmark’s option, of the parts or the products the defects of which are reported to Midmark within the applicable warranty period and which, upon examination by Midmark, prove to be defective.

APPLICABLE WARRANTY PERIOD

The applicable warranty period, measured from the date of delivery to the original user, shall be one (1) year for all warranted products and components.

EXCLUSIONS

This warranty does not cover and Midmark shall not be liable for the following: (1) repairs and replacements because of misuse, abuse, negligence, alteration, accident, freight damage, or tampering; (2) products which are not installed, used, and properly cleaned as required in the Midmark “Installation” and or “Installation / Operation Manual for this applicable product. (3) products considered to be of a consumable nature; (4) accessories or parts not manufactured by Midmark; (5) charges by anyone for adjustments, repairs, replacement parts, installation, or other work performed upon or in connection with such products which is not expressly authorized in writing in advance by Midmark.

EXCLUSIVE REMEDY

Midmark’s only obligation under this warranty is the repair or replacement of defective parts. Midmark shall not be liable for any direct, special, indirect, incidental, exemplary, or consequential damages or delay, including, but not limited to, damages for loss of profits or loss of use.

NO AUTHORIZATION

No person or firm is authorized to create for Midmark any other obligation or liability in connection with the products.

THIS WARRANTY IS MIDMARK’S ONLY WARRANTY AND IS IN LIEU OF ALL OTHER WARRANTIES, EXPRESS OR IMPLIED. MIDMARK MAKES NO IMPLIED WARRANTIES OF ANY KIND INCLUDING ANY WARRANTIES OF MERCHANTABILITY OR FITNESS FOR ANY PARTICULAR PURPOSE. THIS WARRANTY IS LIMITED TO THE REPAIR OR REPLACEMENT OF DEFECTIVE PARTS.

SF-1487 REV. A1

**Calling For
Service**

Specifications

**Limited
Warranty**

NOTES:

MIDMARK[®]

Midmark Corporation, Versailles, Ohio 45380 U.S.A.
937-526-3662 FAX: 937-526-5542

© Midmark Corporation - 1998

003-0926-00 Rev. A (5/98)