

stryker®

Operations Manual

Medical

Important Information

File in your
maintenance
records

Stretcher Chair
Eye Stretcher Chair
Model 5050/5051

For parts or technical
assistance call
800 327 0770 (option 2)





Table of Contents


Introduction	
Specifications	2
Warning / Caution / Note Definition	2
Safety Tips and Guidelines	3
Operation Guide	
Base Pedal Operation	4
Raising And Lowering Litter Height	5
Applying the Brake System	5
Operating the Steer Caster	5
Trendelenburg/Reverse Trendelenburg Positioning	6
Using the Siderails	6
Using the Patient Transfer System	7
Operating the Fowler	8 9
Operating the Adjustable Foot Rest	10
Operating the Optional Independent Foot Section	
Dependent (Chair Mode) Operation	11
Independent Operation	11
Resetting the Foot Section (Returning To Chair Mode)	11
Positioning the Push Bar	12
Removing And Reinstalling the Mattress	12
Operating the Enhanced Clearance Head Piece	13
Using the Optional Inflatable Head Support Cushion	13
Using the Optional Wrist Rests	14
Using the Optional Tethered IV Pole	14
Preventative Maintenance	
Checklist	15
Cleaning	16
Limited Warranty	
Obtaining Parts and Service	17
Supplemental Warranty Coverage	17
Return Authorization	18
Freight Damage Claims	18

Introduction

INTRODUCTION

This manual is designed to assist you with the operation of the Model 5050 & 5051 Stretcher Chair. Read it thoroughly before using the equipment.

SPECIFICATIONS

Maximum Weight Capacity	400 pounds	
Overall Stretcher Length/Width	76"/30"	
Patient Surface Length/Width (Mattress)	74"/24"	
Minimum/Maximum Stretcher Height (Floor to Litter Surface)	22"/33.5"	
Foot Section Articulation	0° to 80°	
Fowler Articulation	0° to 90°	
Trendelenberg/Reverse Trendelenberg Articulation	+18°/-18°	

Stryker reserves the right to change specifications without notice.

WARNING / CAUTION / NOTE DEFINITION

The words WARNING, CAUTION and NOTE carry special meanings and should be carefully reviewed.

WARNING

Alerts the reader about a situation, which if not avoided, could result in death or serious injury. It may also describe potential serious adverse reactions and safety hazards.

CAUTION

Alerts the reader of a potentially hazardous situation, which if not avoided, may result in minor or moderate injury to the user or patient or damage to the equipment or other property. This includes special care necessary for the safe and effective use of the device and the care necessary to avoid damage to a device that may occur as a result of use or misuse.

NOTE

This provides special information to make maintenance easier or important instructions clearer.



Safe Working Load

Safety Tips and Guidelines

Before operating this stretcher, it is important to read and understand all information in this manual. Carefully read and strictly follow the warnings listed on this page.

WARNING

Patient entry, egress and transfer from the Model 5050 & 5051 Stretcher Chair must always be done at the center side locations with the siderail lowered. At no time should patients be allowed to enter or exit from the ends of the Stretcher Chair, unless it is in the full chair position (back section up/foot section down). Improper entry, egress or transfer may cause the Stretcher Chair to tip or become unstable which may result in patient injury.

To avoid risk of tipping resulting in patient injury, never leave the Stretcher Chair unattended in the horizontal position. Always return the unit to the chair position when not in use. Warning labels are located at the head and foot end of the Stretcher Chair frame stating: "DO NOT SIT ON END. TIPPING MAY OCCUR. KEEP IN THE CHAIR POSITION WHEN NOT IN USE."

Always apply the caster brakes when a patient is getting on or off the stretcher. Push on the stretcher to ensure the brakes are securely locked. Always engage the brakes unless the stretcher is being moved. Injury could result if the stretcher moves while a patient is getting on or off the stretcher. If brakes do not hold properly, refer to your stretcher maintenance manual for a brake adjustment procedure.

Be sure to remove any equipment that may be in the way before lowering the Stretcher Chair or damage could occur to the equipment or the Stretcher Chair.

Be sure the siderail latching mechanism is working properly and the siderail is latching securely at all times or patient injury could result. If the siderails are not latching properly, refer to your stretcher maintenance manual for adjustment details.

To avoid having the siderail swing down freely when the latch is released, securely hold the siderail either underneath or from the end when raising or lowering it. Failure to do so could cause damage to the Stretcher Chair or injury to the user.

To avoid possible injury, patients should be appropriately restrained at all times.

When using the patient transfer system, **always** lock the brakes on all stretchers or beds being used and **always** be sure the transfer surface is securely on the surface of the mating stretcher or bed. The Stretcher Chair patient surface and the surface of the mating stretcher or bed must be at the same height before the patient is transferred. Failure to follow these guidelines may result in an unstable surface and patient injury. Be sure the brakes on both the Stretcher Chair and the mating bed or stretcher have been applied before proceeding with the patient transfer.

Keep fingers/hands clear of the area between the frame and the Fowler when lowering the Fowler or injury could result.

Hold the foot rest firmly while repositioning it to prevent it from falling to the lowest position and causing injury or equipment damage.

Do not stand on the foot rest. Tipping may occur which could result in patient or user injury.

The foot section will release during the return to dependent operation (Chair Mode). Hold the end securely and support it when repositioning.

The weight of the patient's head is resting on the head piece and must be supported by the operator when the latches are released and the head piece is being positioned. Failure to adequately support the head piece while positioning the head could result in patient injury.

To avoid possible pinch points when adjusting the head piece, keep your fingers away from the jointed areas.

Do not reach between the side of the head extension and the articulating head piece to pull the release handle. Finger injury could result.

CAUTION

The foot section will release during the return to dependent operation (Chair Mode). Hold the end securely and support it when repositioning.

Operation Guide

BASE PEDAL OPERATION



(A) Pump to raise litter.



(B) Depress to lower head end (Trendelenburg).



(C) Depress to lower foot end (Reverse Trendelenburg).

To lower both ends of the stretcher, depress both Trendelenburg pedals at the same time.



(D) Brake and Steer functions

Operation Guide

WARNING

Patient entry, egress and transfer from the Model 5050 Stretcher Chair must always be done at the center side locations with the siderail lowered. At no time should patients be allowed to enter or exit from the ends of the Stretcher Chair, unless it is in the full chair position (back section up/foot section down). Improper entry, egress or transfer may cause the Stretcher Chair to tip or become unstable which may result in patient injury.

RAISING AND LOWERING LITTER HEIGHT

NOTE

For user convenience, pump pedals and control pedals are located on both sides of the Stretcher Chair.

CAUTION

Be sure to move any equipment that may be in the way before raising or lowering the Stretcher Chair height or damage could occur to the equipment or the Stretcher Chair.

To **raise** the litter height, pump foot pedal (A) repeatedly until desired height is achieved. (See illustration, page 4).

To **lower** the litter height, activate both pedals (B) and (C) using the same foot. Depress pedal (B) to lower the head end only and depress pedal (C) to lower the foot end only of the Stretcher Chair. (See illustration, page 4).

WARNING

To avoid risk of tipping resulting in patient injury, never leave the Stretcher Chair unattended in the horizontal position. Always return the unit to the chair position when not in use. Warning labels are located at the head and foot end of the Stretcher Chair frame stating: "DO NOT SIT ON END. TIPPING MAY OCCUR. KEEP IN THE CHAIR POSITION WHEN NOT IN USE."

APPLYING THE BRAKE SYSTEM

To engage the brakes on the Stretcher Chair, push fully down on the side of pedal (D) closest to the head end of the stretcher. (See illustration page 4).

WARNING

Always apply the caster brakes when a patient is getting on or off the stretcher. Push on the stretcher to ensure the brakes are securely locked. Always engage the brakes unless the stretcher is being moved. Injury could result if the stretcher moves while a patient is getting on or off the stretcher. If brakes do not hold properly, refer to your stretcher maintenance manual for a brake adjustment procedure.

NOTE

For user convenience, the Brake/Steer pedal is located on both sides of the Stretcher Chair.

OPERATING THE STEER CASTER

To engage the steer caster, push fully down on the side of pedal (D) closest to the foot end of the stretcher (See illustration page 4). This will lock the steering caster (foot end, right). The Stretcher Chair will pivot around it when cornering.

Operation Guide

TRENDELENBURG/REVERSE TRENDELENBURG POSITIONING

NOTE

Litter height must be raised first in order to achieve a trend. or reverse trend. position.

CAUTION

Be sure to remove any equipment that may be in the way before lowering the Stretcher Chair or damage could occur to the equipment or the Stretcher Chair.

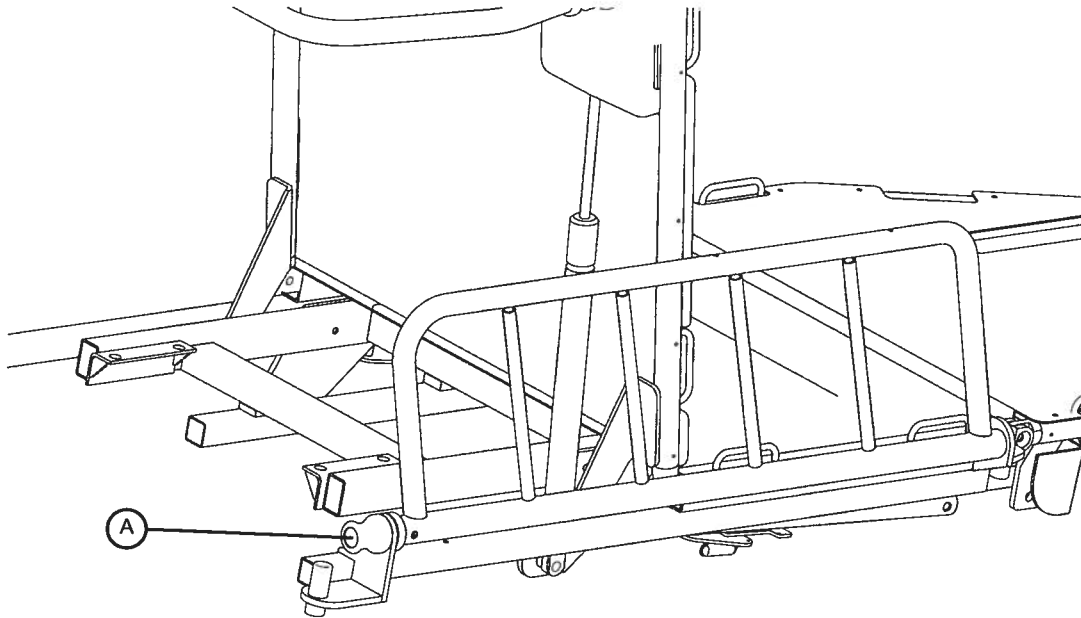
For **Trendelenburg** positioning (head down), depress pedal (B). (See illustration, page 4).

For **Reverse Trendelenburg** positioning (foot down), depress pedal (C). (See illustration, page 4).

NOTE

The higher the litter is before pedals (B) or (C) are activated, the greater the trend. or reverse trend. angle will be. (Maximum trend. angle is $+18^\circ$. Maximum reverse trend. angle is -18°).

USING THE SIDERAILS



WARNING

Be sure the siderail latching mechanism is working properly and the siderail is latching securely at all times or patient injury could result. If the siderails are not latching properly, refer to your stretcher maintenance manual for adjustment details.

To avoid having the siderail swing down freely when the latch is released, securely hold the siderail either underneath or from the end when raising or lowering it. Failure to do so could cause damage to the Stretcher Chair or injury to the user.

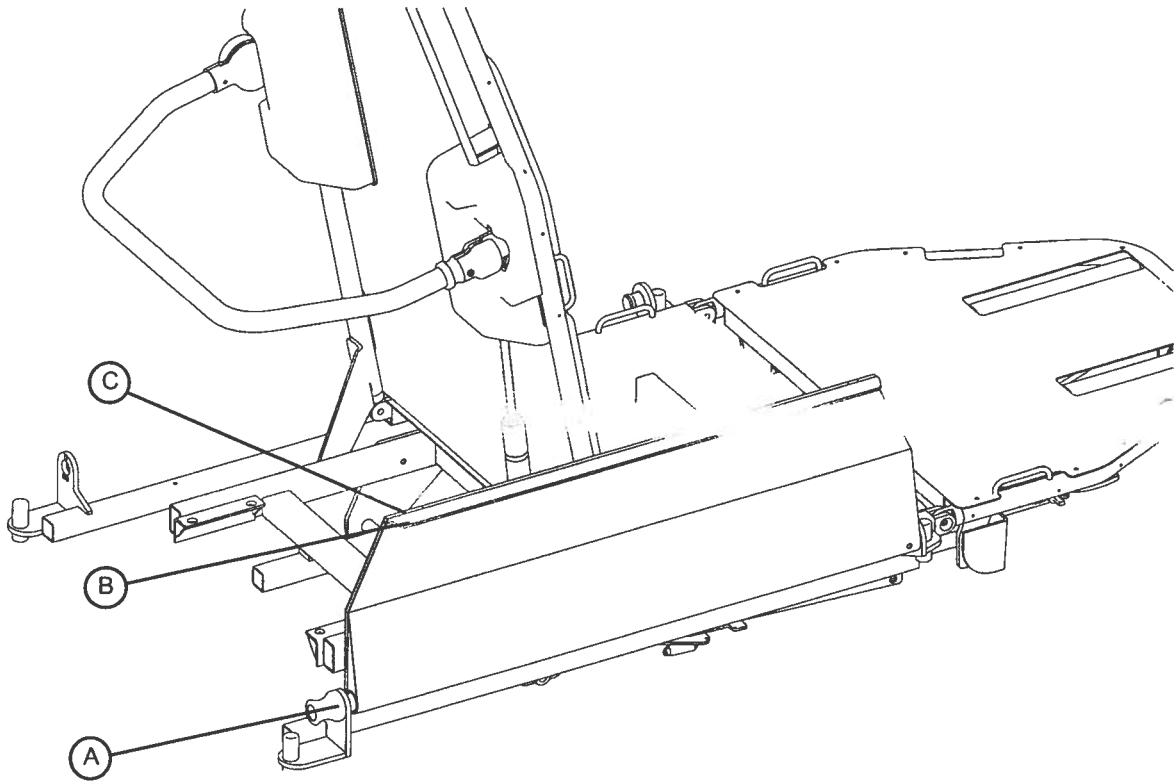
To avoid possible injury, patients should be appropriately restrained at all times.

To raise the siderails, pull out the locking latch (A) while securely holding the siderail and raise the siderail to the full up position until the latch engages.

To lower the siderails, pull out the locking latch (A) while securely holding the siderail and lower the siderail to the full down position until the latch engages. The siderail will be partially tucked away under the litter.

Operation Guide

USING THE PATIENT TRANSFER SYSTEM



WARNING

When using the patient transfer system, **always** lock the brakes on all stretchers or beds being used and **always** be sure the transfer surface is securely on the surface of the mating stretcher or bed. The Stretcher Chair patient surface and the surface of the mating stretcher or bed must be at the same height before the patient is transferred. Failure to follow these guidelines may result in an unstable surface and patient injury. Be sure the brakes on both the Stretcher Chair and the mating bed or stretcher have been applied before proceeding with the patient transfer.

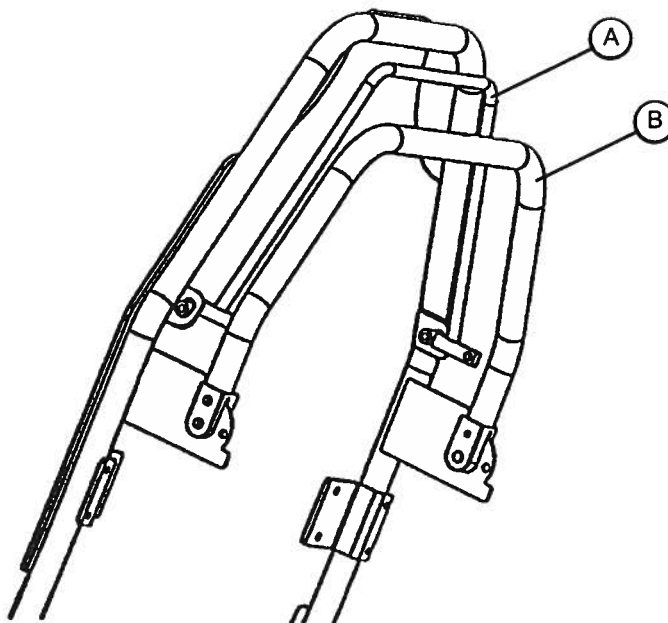
Be sure the Stretcher Chair is as close to the mating surface as possible and at the same height or slightly higher (not to exceed 1").

Pull the release knob (A) and lower the siderail down onto the mating stretcher or bed. The siderail arm rest (B) should be flat to serve as a lead to the transfer surface. If it is not, push the arm rest toward the foot end of the stretcher to release the arm rest latch (C), then rotate the arm rest up so it is parallel with the siderail.

Using a sheet, draw the patient onto the mating bed or stretcher.

Operation Guide

OPERATING THE FOWLER (5050)



WARNING

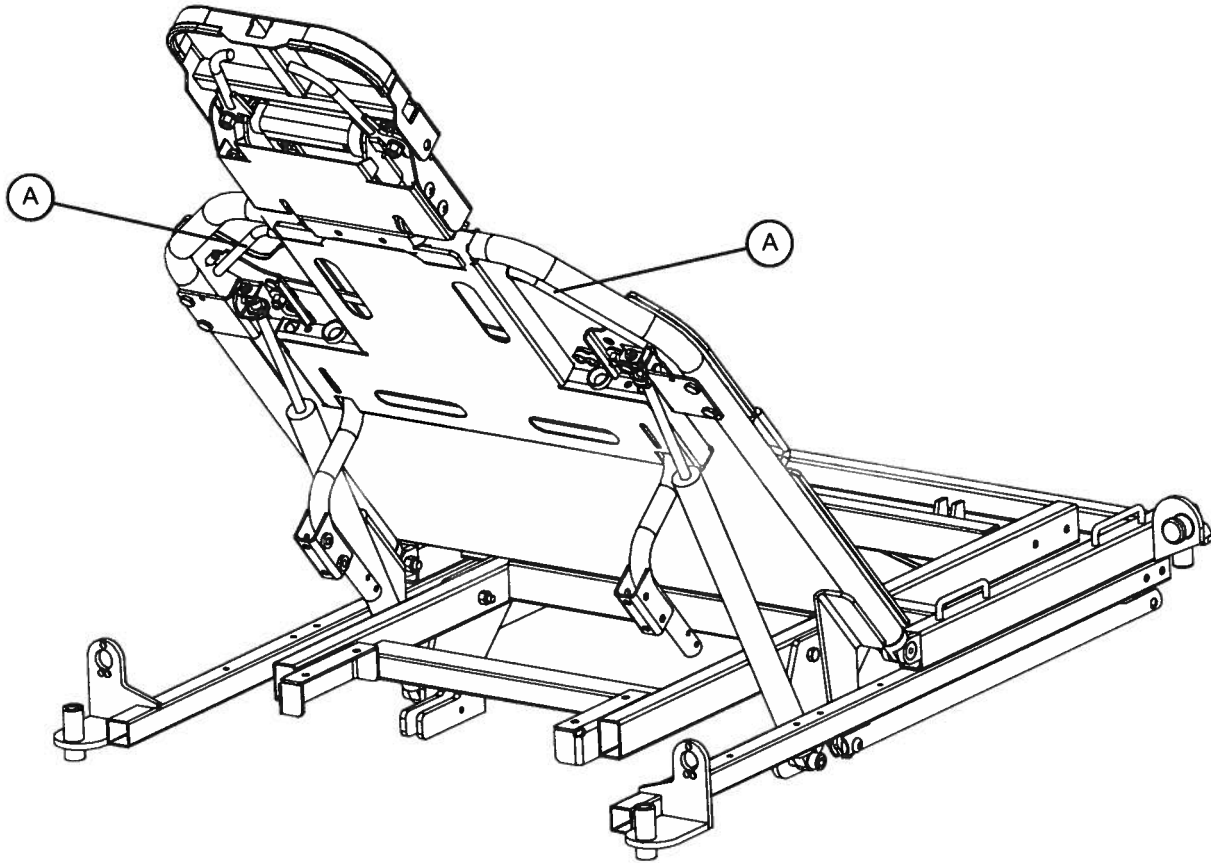
Keep fingers/hands clear of the area between the frame and the Fowler when lowering the Fowler or injury could result.

Squeeze red handle (A) toward the Fowler frame (not toward item (B) push bar) for pneumatic assist in raising the Fowler. Remove hands from handle when desired height is achieved.

To lower the Fowler, squeeze red handle (A) toward the Fowler frame (not toward item (B) push bar) and push down until the Fowler has reached the desired height. Remove hands from handle when desired height is achieved.

Operation Guide

OPERATING THE FOWLER (5051)



Squeeze red handle (A) toward the Fowler frame for pneumatic assist in raising the Fowler. Remove hands from handle when desired height is achieved.

WARNING

Operation of the pneumatic Fowler is a manual procedure. Use caution when raising the Fowler while a patient is on the stretcher. Use proper lifting techniques and get additional assistance, if necessary. Failure to use proper lifting techniques could cause injury to the operator.

To lower the Fowler, squeeze red handle (A) toward the Fowler frame and push down until the Fowler has reached the desired height. Remove hands from handle when desired height is achieved.

WARNING

Keep fingers/hands clear of the area between the frame and the Fowler when lowering the Fowler or injury could result.

Operation Guide

OPERATING THE ADJUSTABLE FOOT REST

WARNING

Hold the foot rest firmly while repositioning it to prevent it from falling to the lowest position and causing injury or equipment damage.

Do not stand on the foot rest. Tipping may occur which could result in patient or user injury.

NOTE

The leg section must be down in order to adjust the foot rest. The foot rest must be rotated halfway up to the leg section in order to adjust the height.

To raise the foot rest:

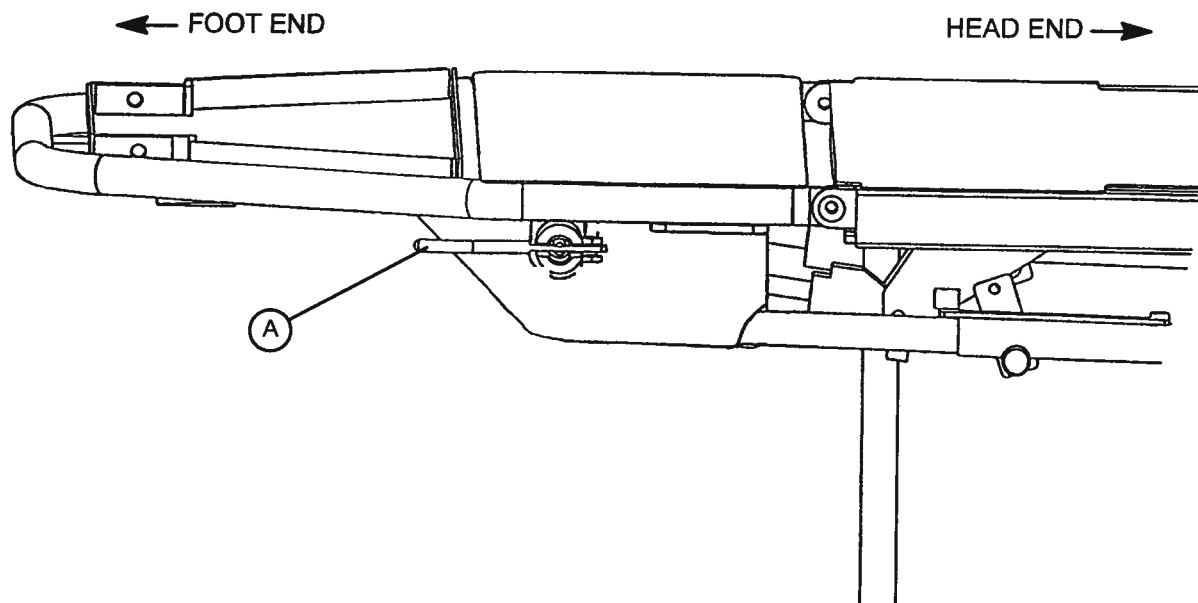
Rotate the foot rest halfway up, then slide it toward the butt section until you reach the desired height. While pulling the foot rest out toward you, rotate it down to a horizontal position. The foot rest will drop into the next lower position.

To lower the foot rest:

While grasping the foot rest firmly, rotate it up and push back on it. When it clears its latch, it will drop down. Rotate the foot rest down to a horizontal position.

Operation Guide

OPERATING THE OPTIONAL INDEPENDENT FOOT SECTION



Dependent (Chair Mode) Operation

During dependent (Chair Mode) operation, the foot section will articulate with the Fowler when going from the sitting to the supine position. In order for the foot section to be in Chair Mode, the red handle (A), located on both sides of the foot section, must be pointing toward the head end of the Stretcher Chair.

Independent Operation

When the foot section is in the Independent Mode, it can articulate to any position independent of the Fowler. To operate the foot section in the Independent Mode, rotate the red handle (A) so it is pointing toward the foot end of the Stretcher Chair, as shown in the illustration above. The foot section is now locked into position, independent of the Fowler. To reposition the foot section, hold the foot end securely, pull the red handle (A) toward you and hold it in that position. Lift or lower the foot section to the desired position and release the red handle to lock it in place.

Resetting the Foot Section (Returning to Chair Mode)

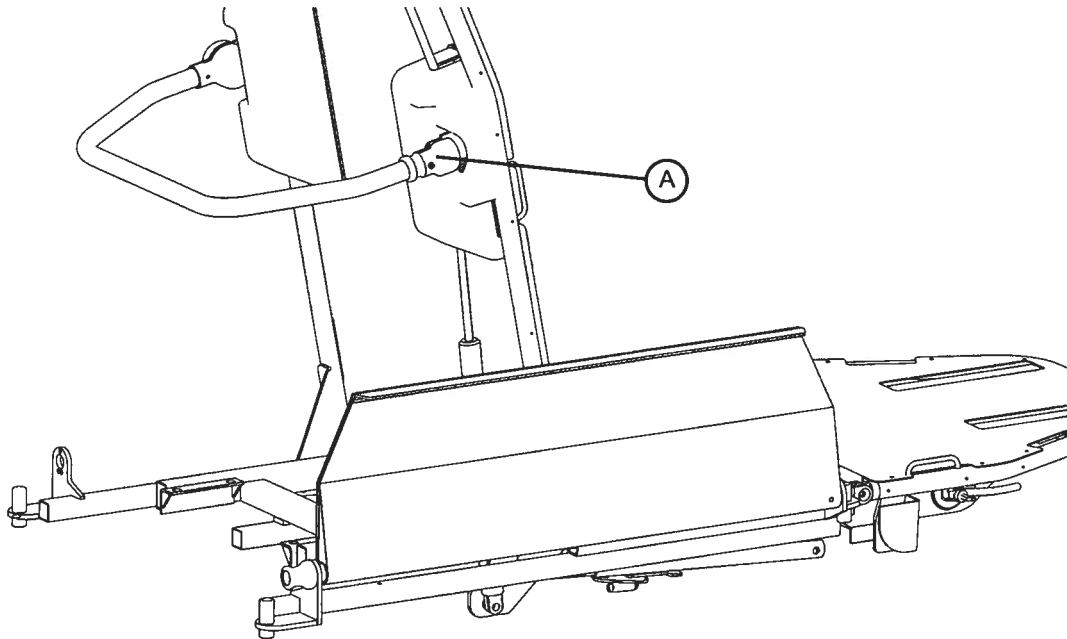
CAUTION

The foot section will release during the return to dependent operation (Chair Mode). Hold the end securely and support it when repositioning.

While supporting the foot section, rotate the red handle (A) on the foot section so it is pointing toward the head end of the Stretcher Chair. Lift or lower the foot section until it locks in place. Raise or lower the Fowler and assure the foot section moves with it.

Operation Guide

POSITIONING THE PUSH BAR



To lower the push bar, pull back the red release knob (A) while holding onto the push bar. Swing the push bar into the full down position until the latch engages.

To raise the push bar, pull back the red release knob (A) while holding onto the push bar. Swing the push bar into the full up position until the latch engages.

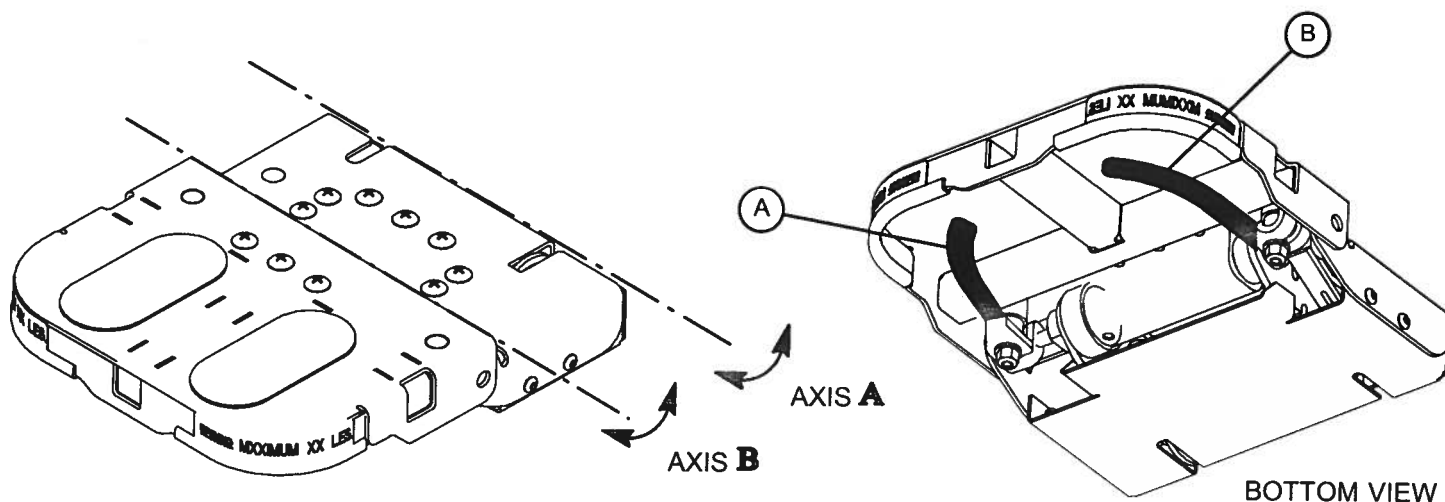
REMOVING AND REINSTALLING THE MATTRESS

When removing the mattress, it is important to start at the head end of the Stretcher Chair. Pull on the head end of the mattress to release it from the Velcro on the Fowler and midsection. Once it is free of the Velcro, pull the mattress toward the head end of the Stretcher Chair to disengage the mattress from the foot section sliding tabs. (The tabs keep the foot section of the mattress close to the litter surface during articulation.)

To reinstall the mattress, slide the pockets on the foot end back over the sliding tabs. Place the mattress down the length of the litter surface and press firmly on the Fowler and midsection to secure the Velcro strips.

Operation Guide

OPERATING THE ENHANCED CLEARANCE HEAD PIECE



To operate the articulating head piece, grasp either handle under the head section and squeeze. Handle (A) releases one latch and rotates the head piece on axis "A". Handle (B) releases the other latch and rotates the head section on axis "B". For ease of operation, it is recommended to release only one latch at a time.

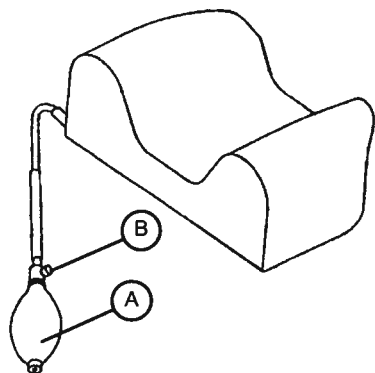
WARNING

The weight of the patient's head is resting on the head piece and must be supported by the operator when the latches are released and the head piece is being positioned. Failure to adequately support the head piece while positioning the head could result in patient injury.

To avoid possible pinch points when adjusting the head piece, keep your fingers away from the jointed areas.

Do not reach between the side of the head extension and the articulating head piece to pull the release handle. Finger injury could result.

USING THE OPTIONAL INFLATABLE HEAD SUPPORT CUSHION



The optional inflatable head support cushion has two internal air bladders. Squeeze the bulb (A) to inflate the bladders and provide more stability for the patient's head. Press the release valve (B) to deflate the bladders.

Operation Guide

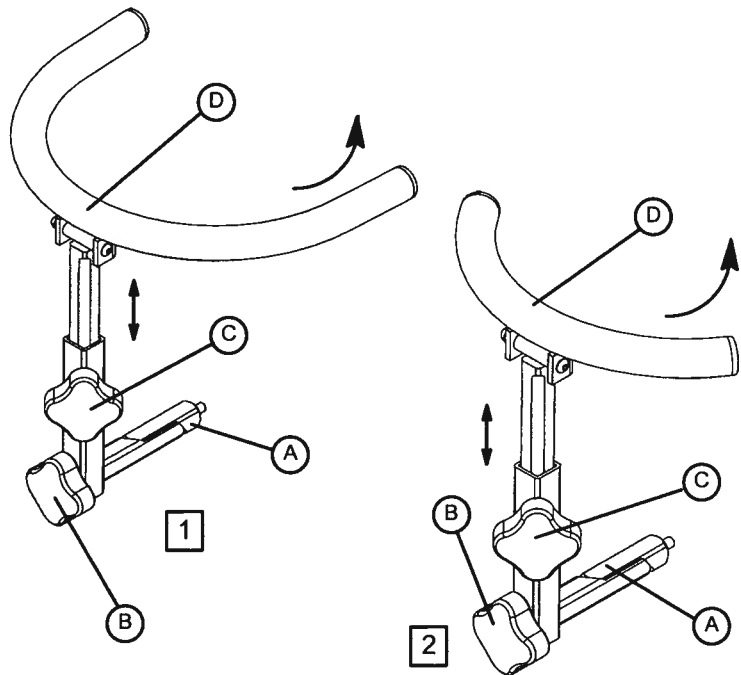
USING THE OPTIONAL WRIST RESTS

There are two optional wrist rests available; standard **1** and temporal **2**.

To use the wrist rest, insert the support tube (A) into the socket in the Fowler head piece assembly. Turn knob (B) clockwise to secure the wrist rest assembly.

To adjust the height of the wrist rest, turn knob (C) counterclockwise to loosen it. Raise or lower the wrist rest to the desired height, and turn the knob clockwise to tighten it and hold the wrist rest in place.

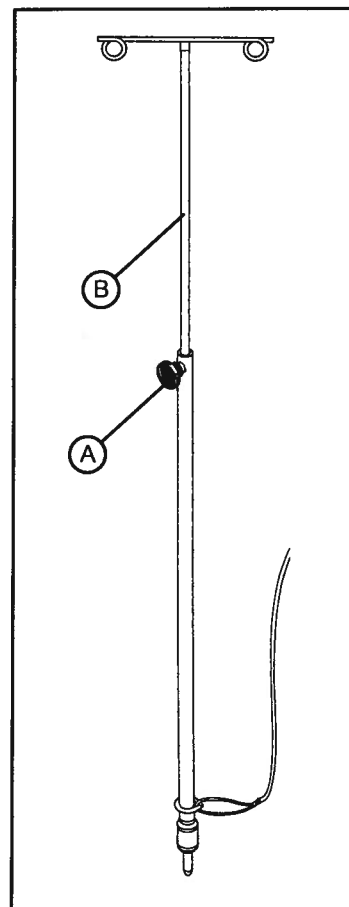
The "U" shaped rest (D) can be pivoted up and away from the patient when the wrist rest is not in use.



USING THE OPTIONAL TETHERED IV POLE

To use the tethered IV pole:

1. Remove the IV pole from the storage trough under the litter and insert into the receptacle on the corner of the litter frame.
2. To raise the height of the pole, turn knob (A) counterclockwise and pull up on the telescoping portion (B) of the pole to raise it to the desired height.
3. Turn knob (A) clockwise to lock the telescoping portion in place.



Preventative Maintenance

CHECKLIST

- _____ All fasteners secure (reference all assembly prints)
- _____ Siderails move and latch properly
- _____ All casters lock with brake pedal engaged
- _____ Steer function working properly
- _____ All casters secure and swivel properly
- _____ Body restraints intact and working properly
- _____ Oxygen bottle holder intact and operating properly
- _____ Fowler/leg articulation operating properly
- _____ Trendelenburg/Reverse Trendelenburg operating properly
- _____ Optional articulating head piece locking and releasing properly
- _____ Transfer surface intact and working properly
- _____ No rips or cracks in mattress cover
- _____ No leaks at hydraulic connections
- _____ Hydraulic jacks holding properly
- _____ Hydraulic drop rate set properly
- _____ Hydraulic oil level sufficient
- _____ Lubricate where required, including the brake adjuster assembly and brake cam and the independent foot section mechanisms

Serial No. _____

Completed By: _____ Date: _____

NOTE

Preventative maintenance should be performed at a minimum of annually. A preventative maintenance program should be established for all Stryker Medical equipment. Preventative maintenance may need to be performed more frequently based on the usage level of the product.

Cleaning

Hand wash all surfaces of the stretcher with warm water and mild detergent. **DRY THOROUGHLY.** Do not steam clean, pressure wash, hose off or ultrasonically clean. Using these methods of cleaning is **not** recommended and may void this product's warranty.

Suggested cleaners for stretcher surfaces:

Quaternary Cleaners (active ingredient – ammonium chloride)

Phenolic Cleaners (active ingredient – o-phenylphenol)

Chlorinated Bleach Solution (5.25% – less than 1 part bleach to 100 parts water)

Avoid oversaturation and ensure the product does not stay wet longer than the chemical manufacturer's guidelines for proper disinfecting.

 **CAUTION**

SOME CLEANING PRODUCTS ARE CORROSIVE IN NATURE AND MAY CAUSE DAMAGE TO THE PRODUCT IF USED IMPROPERLY. If the products described above are used to clean Stryker patient care equipment, measures must be taken to insure the beds are wiped with clean water and thoroughly dried following cleaning. Failure to properly rinse and dry the beds will leave a corrosive residue on the surface of the bed, possibly causing premature corrosion of critical components. Failure to follow the above directions when using these types of cleaners may void this product's warranty.

For mattress cleaning instructions, please see the tag on the mattress, or contact the mattress manufacturer.

Clean Velcro® **AFTER EACH USE.** Saturate Velcro® with disinfectant and allow disinfectant to evaporate. (Appropriate disinfectant for nylon Velcro® should be determined by the hospital.)