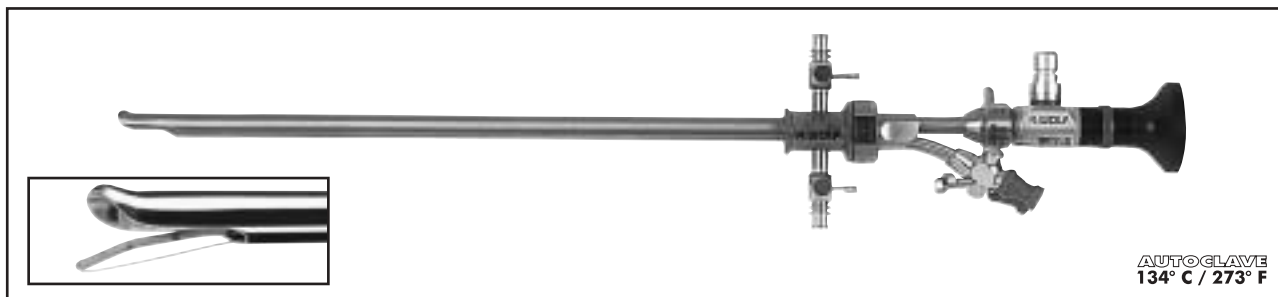





## E-line Cysto-Urethroscopes 8650

for 4 mm, 0°, 12°, 25° and 70° Endoscopes  
and Bridge adapters



3

Endoscopes	∅	Viewing angle	Enlarged image and objective field
<b>Fixed eyepiece</b> 	4 mm	0°	<b>8650.404</b>
		12°	<b>8654.411</b>
		25°	<b>8654.402</b>
		70°	<b>8650.405</b>

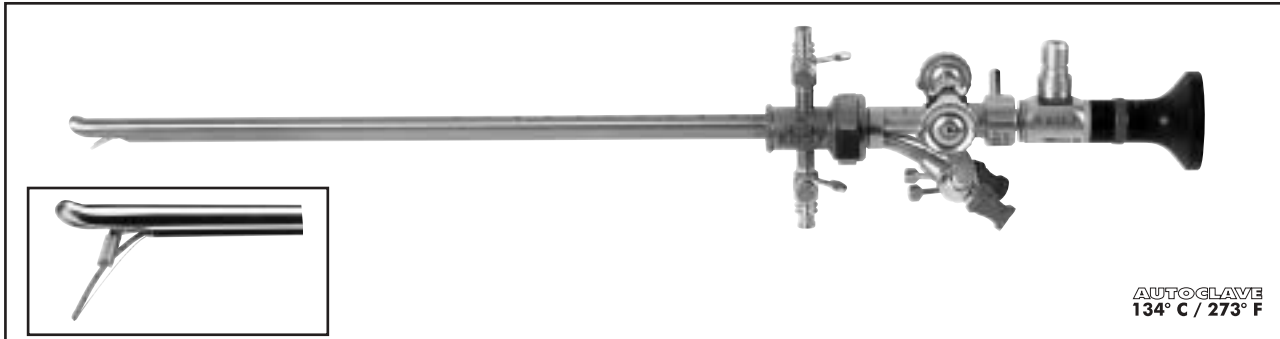
Sheaths, with obturators				Bridge adapters		
						
Type	Fr.	Color code	Insert capacity ( Fr. )	Exam only	Single channel	Double channel
<b>8650.014</b>	16	yellow	1 x 5*	<b>8650.254</b>	<b>8650.264</b>	<b>8650.284</b>
<b>8650.024</b>	17.5	green	1 x 5 or 2 x 4			
<b>8650.034</b>	19.5	red	1 x 7 or 2 x 5			
<b>8650.044</b>	21	blue	1 x 10 or 2 x 6			
<b>8650.054</b>	23	white	1 x 12 or 2 x 7			


\*Accepts 5 Fr. ureteral catheters only


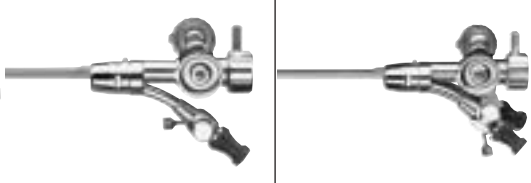
**Viewing Obturators** see page Cys 3.6

## E-line Cysto-Urethroscopes 8650

For 4 mm, 25° and 70° Endoscopes  
and Inserts with Albarran Deflector



Endoscopes	Ø	Viewing angle	Enlarged image and objective field
 <b>Fixed eyepiece</b>	4 mm	25°	<b>8654.402</b>
		70°	<b>8650.405</b>

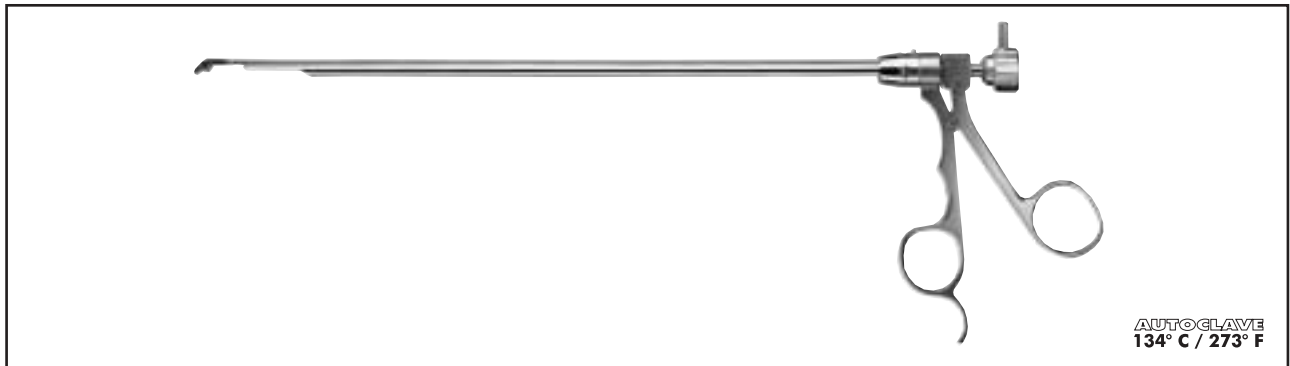
Sheaths, with obturators				Albarran deflector bridges	
					
Type	Fr.	Color code	Capacity ( Fr. )	1 Instrument port	2 Instrument ports
<b>8650.024</b>	17.5	green	1 x 5 or 2 x 4	<b>8650.214</b>	<b>8650.204</b>
<b>8650.034</b>	19.5	red	1 x 7 or 2 x 5		
<b>8650.044</b>	21	blue	1 x 10 or 2 x 6		
<b>8650.054</b>	23	white	1 x 12 or 2 x 7		

Viewing Obturators see page Cys 3.6

## E-Line Optical Forceps and Scissors

For Cysto-Urethroscope 8650

with 4 mm, 0° Endoscopes



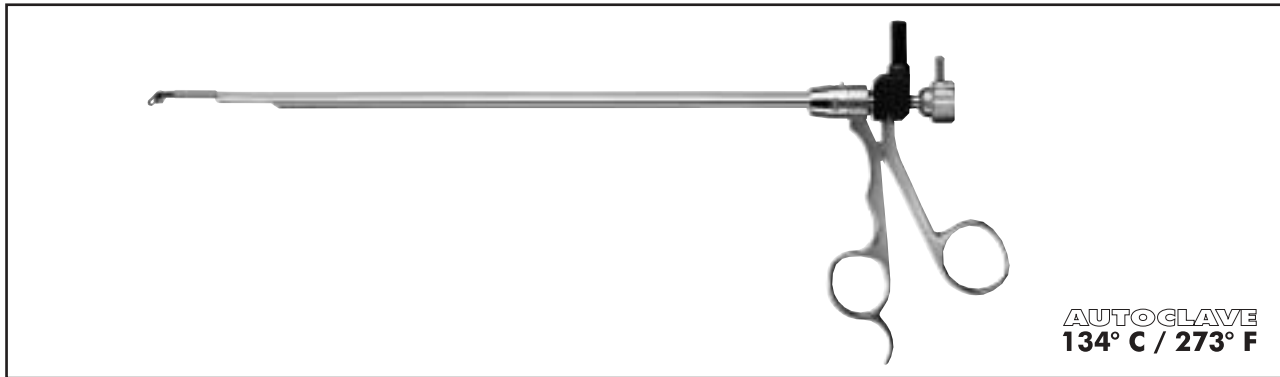
Instrument		For sheaths from	Type
<p><b>Biopsy forceps by "Marburg"</b> cutting action, the close proximity of the jaws to the endoscope allows biopsies to be performed even in the area around the bladder neck.</p>		19.5 Fr.	<b>8650.614</b>
<p><b>Scissors by "Wuppertal"</b> for opening ureteroceles, for cutting intruding sutures, for the removal of polyps at their base and for slitting the ureteral orifice.</p>		19.5 Fr.	<b>8650.644</b>
<p><b>Foreign body forceps</b> also for crushing small soft calculi.</p>		19.5 Fr.	<b>8650.654</b>
<p><b>Stone forceps</b> for smaller stones and for removing stone fragments.</p>		23 Fr.	<b>8650.664</b>
<p><b>Retrograde Biopsy forceps</b> with spoon-shaped jaws, retrograde cutting action, for biopsies in the transition area by the bladder neck / upper wall, as well as in the distal urethra.</p>		19.5 Fr.	<b>8650.774</b>


## E-line Optical Forceps and Scissors

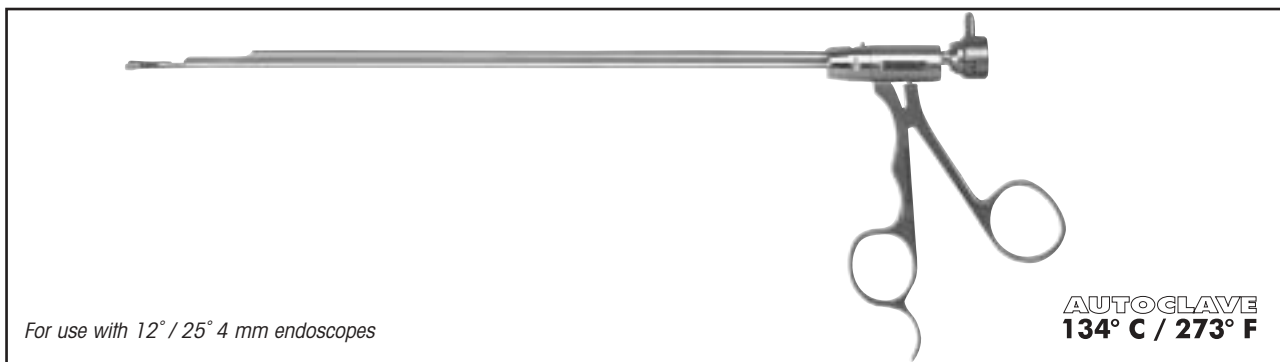
For Cysto-urethroscope 8650



with 4 mm, 0° Endoscopes

3



Instrument	For sheaths from	Type
<p><b>Coagulating biopsy forceps by Tauber</b> for combined biopsy and haemostasis. Particularly suitable for bladder mapping and quadrant biopsy. Instant haemostasis without changing instruments and time-consuming reorientation.</p> 	21 Fr.	<b>8650.624</b>



Instrument	For sheaths from	Type
<p><b>Biopsy forceps</b> for use with 12° / 25° 4 mm endoscopes</p> 	19.5 Fr.	<b>8650.604</b>
<p><b>Grasping forceps</b> for use with 12° / 25° 4 mm endoscopes</p> 	19.5Fr.	<b>8650.684</b>

**HF connecting cable**, 3M WL, Reusable, .....815.033 or 3M WL, Disposable, 10 / pkg.....415.0030