


USA Series™ Resectoscopes

Continuous Flow Sheaths

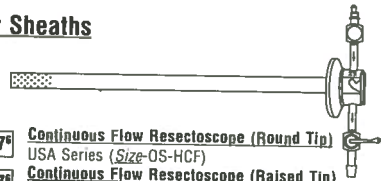
p. U-37

Inner Sheaths



25^{Fr} 27^{Fr} Continuous Flow Resectoscope (Round & Raised Tip)
USA Series (Size-IS-HCF)

Outer Sheaths




25^{Fr} 27^{Fr} Continuous Flow Resectoscope (Round Tip)
USA Series (Size-OS-HCF)

25^{Fr} 27^{Fr} Continuous Flow Resectoscope (Raised Tip)
USA Series (Size-OS-CFR)

Standard Flow Sheaths


p. U-38



24 26 28 Metal, Metal Brown Beak, Standard, Berry Rotating
(MRS-Size, MRS-SizeB, SRS-Size, BRS-Size)

Working Elements

p. U-36




B C

Iglesias, Iglesias with Classic Series Thumb Ring, McCarthy, McCarthy with Thumb Rest, Accessory, Baumrucker, Baumrucker with Thumb Pad (IWE, IWE-A, MWE, MWE-A, AWE, BWE, BWE-TP)

Electrodes¹

pp. U-29-30

24 26 28




Grooved, Fluted, and Spiked VaporTodes, Grooved VaporTome, Coagulating, Punctate, Roller Bar and Ball, Knife, PERKASH Right Angle Knife, Retrograde Knife, Right Angle Cutting Loop, Straight Cutting Loop (VE-B, VE-F, VE-S, VE-LG, CE, PE, RB, RE, KE, RAK, RKE, MLE, MLES)

Obturator

pp. U-37-38

Visual Obturators


A B C



25^{Fr} 27^{Fr} Continuous Flow
USA Series (Size-VO-CFR)

24 26 28 Standard Flow
USA Series (VOR-Size)

Timberlake Obturators




25^{Fr} 27^{Fr} Continuous Flow
USA Series (Size-TO-CFR)

24 26 28 Standard Flow
USA Series (TOR-Size, TOR-SizeB)

Telescopes


p. U-27

A Direct (0°)²




USA Elite System M3 (M3-0)
M3 Autoclavable (M3-0A)

B Operative (12°)




USA Elite System M3 (M3-12)
M3 Autoclavable (M3-12A)

C Foroblisque (30°)




USA Elite System M3 (M3-30)
M3 Autoclavable (M3-30A)

D Lateral (70°)²



USA Elite System M3 (M3-70)
M3 Autoclavable (M3-70A)

E Retrograde (110°)²



USA Elite System M3 (M3-110)

For USA Series sheath system ordering information, please refer to p. U-39

NOTES:

1. Please note that electrodes for all continuous flow sheaths are one size smaller than the sheath size (e.g., 25 Fr sheath uses 24 Fr electrode)

2. For visualization only. DO NOT USE for resection.

TM Trademark of Circon Corporation or its Subsidiaries in the U.S. and/or other countries of the world

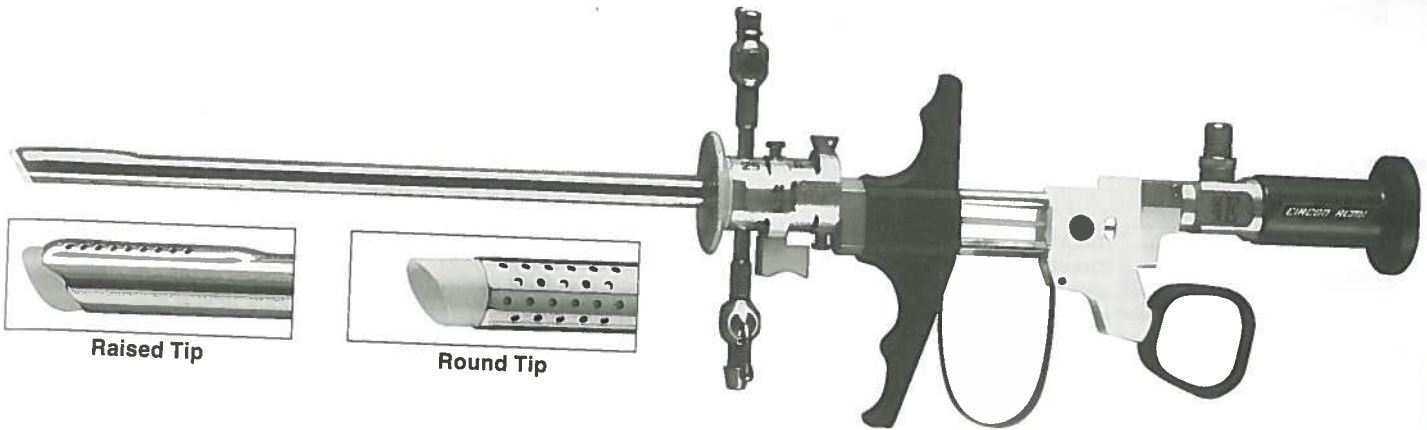
24 Instrument French size

A Telescope compatibility

USA Series™ Continuous Flow Resectoscopes*1

SNAP-IN SNAP-OUT™

The USA Series Continuous Flow Resectoscopes utilize a dual sheath design to establish a constant flow of irrigant. The same working elements are used for all USA Series Resectoscopes and Urethrotomes.



Features

- Continuous flow design
- High flow round tip or standard raised tip design
- Snap-on active cord
- Snap-In Snap-Out™ locking mechanism
- Option of Iglesias™, McCarthy™, Baumrucker** and Accessory working elements

Benefits

- Maintains constant bladder distention pressure and a clear field of view; eliminates having to interrupt surgery to empty bladder
- Two options available
- Eliminates electrical current through block, increasing safety
- Quick assembly/release; timesaving
- Different working element styles to meet each urologist's needs

Telescopes		Working Elements	Size	Color Code	Inner Sheath	Outer Sheath Round Tip or Raised Tip	Timberlake Obturator	Visual Obturator	Loop Electrodes
M3 Autoclavable									
M3-0	M3-0A	IWE	25.6 Fr	Yellow	25-IS-HCF	25-OS-HCF or 25-OS-CFR	25-TO-CFR	25-VO-CFR	MLE-24 MLE-26
M3-12	M3-12A	IWE-A	27.6 Fr	White	27-IS-HCF	27-OS-HCF or 25-OS-CFR	27-TO-CFR	27-VO-CFR	
M3-30	M3-30A	MWE							
M3-70	M3-70A	MWE-A							
M3-110		BWE**							
		BWE-TP** AWE							

For USA Series sheath system ordering information, please refer to p. U-39

Outer Sheath

Distal tip has 360° circumferential outflow holes. Stainless steel construction, color coded, obturators and inner sheath easily snap into outer sheath.

Inner Sheath

Ceramic distal tip minimizes burning for durability. Stainless steel construction, color coded, snaps directly into outer sheath.

Visual Obturator

For visualization during insertion.

Timberlake Obturator

Articulating tip for ease of insertion.

* Components are not compatible with USA Elite System™ or Classic Series™ components.

** For availability in the U.S.A., contact Customer Service.

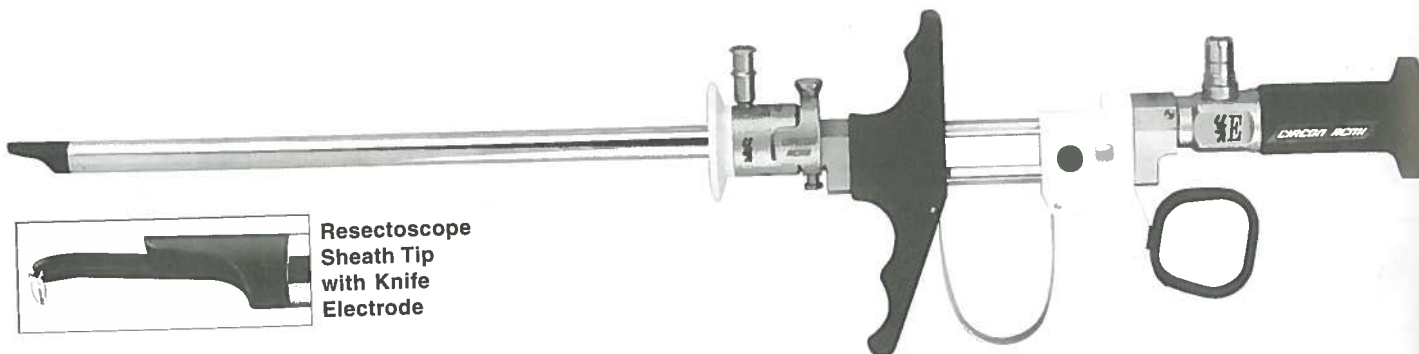
¹ U.S. Patent Nos. 4,917,682; 4,917,131; 4,917,621; 4,955,884; 5,151,101
[™] Trademark of Circon Corporation or its Subsidiaries in the U.S. and/or other countries of the world

Anes
Arth
Gastro
Gyn
Lap
Urology
Video
Illum
Ordering
Index

USA Series™ Standard Flow Resectoscopes¹*

SNAP-IN SNAP-OUT™

The USA Series Standard Flow Resectoscopes are designed with features specifically for transurethral resection (TUR) procedures in the lower urinary tract. A full line of accessories is available for use with the resectoscopes.



Features

- Snap-In Snap-Out™ locking mechanisms
- Quick release button for electrode
- Snap-on active cord
- Ergonomic handle grip configuration
- Distinct, color coded sheaths and obturators
- Timberlake and Visual Obturators

Benefits

- Quick assembly, rapid release, and accurate alignment
- Secure locking mechanism
- Eliminates electrical current through block, increasing safety
- Provides excellent comfort, balance, and control
- Easy identification of component compatibility and assembly
- Allows choice of insertion technique

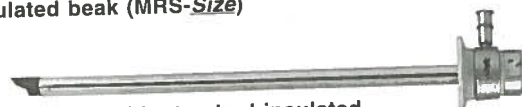
Telescopes	Working Elements	Size	Color Code	Sheaths	Visual Obturator	Timberlake Obturator	Loop Electrodes	
M3 M3 Autoclavable M3-0 M3-0A M3-12 M3-12A M3-30 M3-30A M3-70 M3-70A M3-110	IWE IWE-A MWE MWE-A BWE** BWE-TP** AWE	24 Fr	Yellow	Standard Metal	SRS-24	TOR-24	MLE-24	
				Berry Rotating	MRS-24			
				Brown Beak	BRS-24			
					MRS-24B			
			26 Fr	White	Standard Metal	SRS-26	TOR-26	MLE-26
					Berry Rotating	MRS-26		
					Brown Beak	BRS-26		
						MRS-26B		
			28 Fr	Blue	Standard Metal	SRS-28	TOR-28	MLE-28
					Berry Rotating	MRS-28		
					Brown Beak	BRS-28		
						MRS-28B		



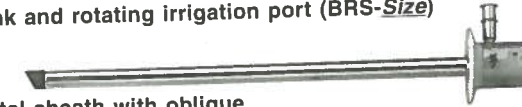
Insulated sheath with standard beak (SRS-Size)



Metal sheath with standard insulated beak (MRS-Size)



Metal sheath with standard insulated beak and rotating irrigation port (BRS-Size)



Metal sheath with oblique insulated beak (MRS-Size B)



Visual Obturator



Timberlake Obturator

(Brown Beak Timberlake Obturator not shown)

- * Components are not compatible with USA Elite System or Classic Series components.
- ** For availability in the U.S.A., contact Customer Service.

¹ U.S. Patent Nos. 4,917,082; 4,917,621; 4,955,884; 5,151,101; D319,104; D320,446, Patents Pending
 TM Trademark of Circon Corporation or its Subsidiaries in the U.S. and/or other countries of the world

Anes

Arth

Gastro

Gyn

Lap

Urology

Video

Illum

Ordering

Index