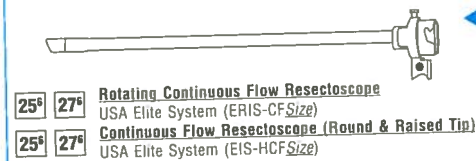


USA Elite System™ Resectoscopes

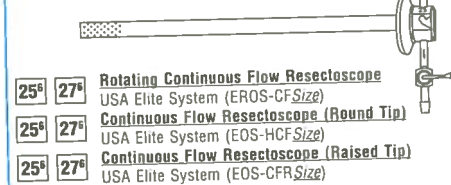
Continuous Flow Sheaths

pp. U-31-32

Inner Sheaths

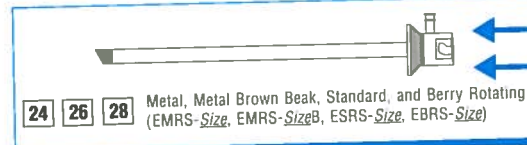


Outer Sheaths



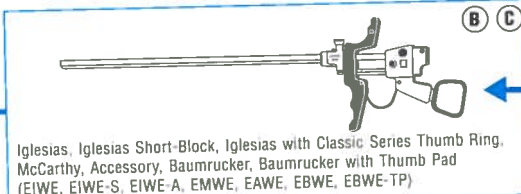
Standard Flow Sheaths

p. U-33



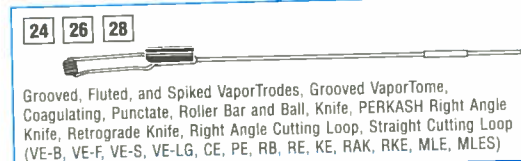
Working Elements

p. U-28



Electrodes¹

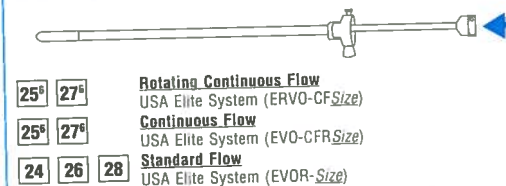
pp. U-29-30



Obturators

pp. U-31-33

Visual Obturators



Timberlake Obturators



Telescopes

p. U-27

A Direct (0°)²

USA Elite System M3 (M3-0)
M3 Autoclavable (M3-0A)

B Operative (12°)

USA Elite System M3 (M3-12)
M3 Autoclavable (M3-12A)

C Foroblique (30°)

USA Elite System M3 (M3-30)
M3 Autoclavable (M3-30A)

D Lateral (70°)²

USA Elite System M3 (M3-70)
M3 Autoclavable (M3-70A)

E Retrograde (110°)²

USA Elite System M3 (M3-110)

For USA Elite System kit and sheath system ordering information, please refer to p. U-34

NOTES:

- Please note that electrodes for all continuous flow sheaths are one size smaller than the sheath size (e.g., 25 Fr sheath uses 24 Fr electrode)
- For visualization only. DO NOT USE for resection.

² Trademark of Circon Corporation or its Subsidiaries in the U.S. and/or other countries of the world

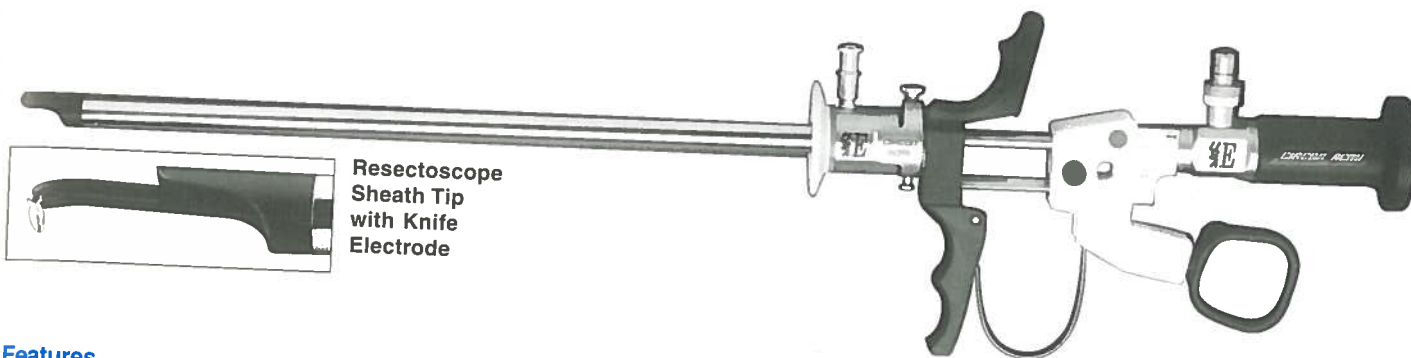
24 Instrument French size

A Telescope compatibility

USA Elite System™ Standard Flow Resectoscopes^{1*}
Four Sheath Styles

SNAP-IN SNAP-OUT™

The USA Elite System Resectoscope . . . **the longest available working length** . . . is designed with features specifically for transurethral resection (TUR) procedures to treat enlarged prostate glands, remove bladder tumors, and incise strictures in the urinary tract.



Resectoscope Sheath Tip with Knife Electrode

Features

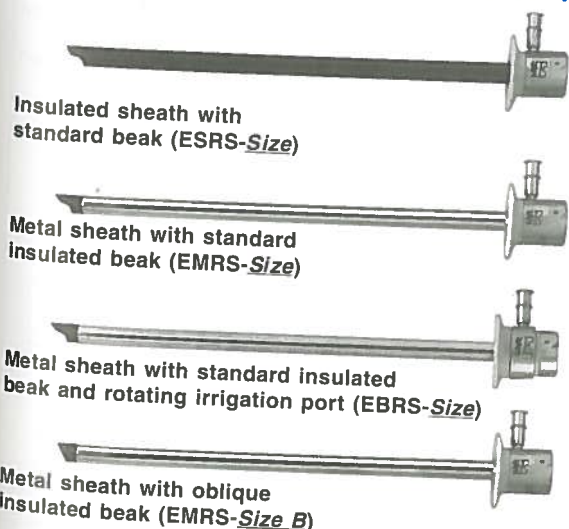
- Longest available working length (20.6 cm)
- Snap-In Snap-Out™ locking mechanisms
- Snap-on active cord
- Distinct, color coded sheaths and obturators
- Timberlake and Visual Obturators

Benefits

- Provides access to distal areas
- Quick assembly, rapid release, and accurate alignment
- Eliminates electrical current through block, increasing safety
- Easy identification of component compatibility and assembly
- Provides less traumatic insertion and choice of insertion technique

Telescopes	Working Elements	Size	Color Code	Sheaths	Timberlake Obturator	Visual Obturator	Loop Electrodes	
M3 Autoclavable M3-0 M3-0A M3-12 M3-12A M3-30 M3-30A M3-70 M3-70A M3-110	EIWE EIWE-S EIWE-A EMWE EBWE** EBWE-TP** EAWE	24 Fr	Yellow	Standard	ESRS-24	ETOR-24	EVOR-24	MLE-24
				Metal	EMRS-24			
				Berry Rotating	EBRS-24			
		26 Fr	White	Brown Beak	EMRS-24B	ETOR-24B	EVOR-26	MLE-26
				Standard	ESRS-26	ETOR-26		
				Metal	EMRS-26			
		28 Fr	Blue	Berry Rotating	EBRS-26		EVOR-28	MLE-28
				Brown Beak	EMRS-26B	ETOR-26B		
				Standard	ESRS-28	ETOR-28		
			Metal	EMRS-28				
			Berry Rotating	EBRS-28				
			Brown Beak	EMRS-28B	ETOR-28B			

See next page for kit ordering information



Insulated sheath with standard beak (ESRS-Size)
 Metal sheath with standard insulated beak (EMRS-Size)
 Metal sheath with standard insulated beak and rotating irrigation port (EBRS-Size)
 Metal sheath with oblique insulated beak (EMRS-Size B)



Visual Obturator



Timberlake Obturator

(Brown Beak Timberlake Obturator not shown)

* Components are not compatible with USA or Classic Series components.

** For availability in the U.S.A., contact Customer Service.

¹ U.S. Patent Nos. 4,917,082; 4,917,621; 4,955,884; D319,104; D320,446, Patents Pending
 Trademark of Circon Corporation or its Subsidiaries in the U.S. and/or other countries of the world