

USA Elite System™ Resectoscopes

Continuous Flow Sheaths

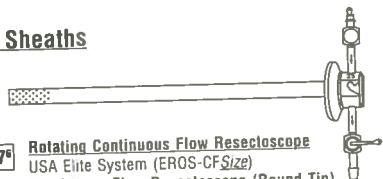
pp. U-31-32

Inner Sheaths



- 25^a** **27^a** Rotating Continuous Flow Resectoscope
USA Elite System (ERIS-CF^{Size})
- 25^a** **27^a** Continuous Flow Resectoscope (Round & Raised Tip)
USA Elite System (EIS-HCF^{Size})

Outer Sheaths



- 25^a** **27^a** Rotating Continuous Flow Resectoscope
USA Elite System (EROS-CF^{Size})
- 25^a** **27^a** Continuous Flow Resectoscope (Round Tip)
USA Elite System (EOS-HCF^{Size})
- 25^a** **27^a** Continuous Flow Resectoscope (Raised Tip)
USA Elite System (EOS-CFR^{Size})

Standard Flow Sheaths

p. U-33



- 24** **26** **28** Metal, Metal Brown Beak, Standard, and Berry Rotating
(EMRS-^{Size}, EMRS-^{Size}B, ESRS-^{Size}, EBRs-^{Size})

Working Elements

p. U-28

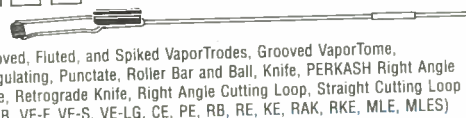


Iglesias, Iglesias Short-Block, Iglesias with Classic Series Thumb Ring, McCarthy, Accessory, Baumrucker, Baumrucker with Thumb Pad (EIWE, EIWE-S, EIWE-A, EMWE, EAWE, EBWE, EBWE-TP)

Electrodes¹

pp. U-29-30

24 **26** **28**



Grooved, Fluted, and Spiked VaporTros, Grooved VaporTome, Coagulating, Punctate, Roller Bar and Ball, Knife, PERKASH Right Angle Knife, Retrograde Knife, Right Angle Cutting Loop, Straight Cutting Loop (VE-B, VE-F, VE-S, VE-LG, CE, PE, RB, RE, KE, RAK, RKE, MLE, MLES)

Obturator

pp. U-31-33

Visual Obturators

A **B** **C**



- 25^a** **27^a** Rotating Continuous Flow
USA Elite System (ERVO-CF^{Size})
- 25^a** **27^a** Continuous Flow
USA Elite System (EVO-CFR^{Size})
- 24** **26** **28** Standard Flow
USA Elite System (EVOR-^{Size})

Timberlake Obturators



- 25^a** **27^a** Rotating Continuous Flow
USA Elite System (ERTO-CF^{Size})
- 25^a** **27^a** Continuous Flow
USA Elite System (ETO-CFR^{Size})
- 24** **26** **28** Standard Flow
USA Elite System (ETOR-^{Size}, ETOR-^{Size}B)

Telescopes

p. U-27

A Direct (0°)²

USA Elite System M3 (M3-0)
M3 Autoclavable (M3-0A)

B Operative (12°)

USA Elite System M3 (M3-12)
M3 Autoclavable (M3-12A)

C Foroblique (30°)

USA Elite System M3 (M3-30)
M3 Autoclavable (M3-30A)

D Lateral (70°)²

USA Elite System M3 (M3-70)
M3 Autoclavable (M3-70A)

E Retrograde (110°)²

USA Elite System M3 (M3-110)

For USA Elite System kit and sheath system ordering information, please refer to p. U-34

NOTES:

1. Please note that electrodes for all continuous flow sheaths are one size smaller than the sheath size (e.g., 25 Fr sheath uses 24 Fr electrode)
2. For visualization only. DO NOT USE for resection.

TM Trademark of Circon Corporation or its Subsidiaries in the U.S. and/or other countries of the world

24 Instrument French size

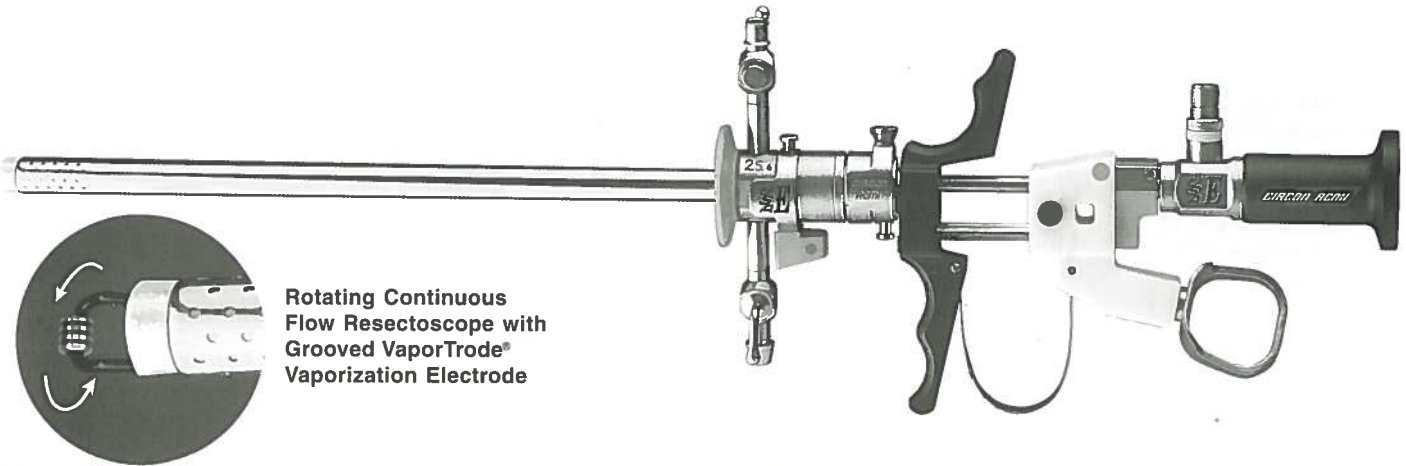
A Telescope compatibility

USA Elite System™ Rotating Continuous Flow Resectoscopes^{1*}

SNAP-IN SNAP-OUT™

NO Rotating Components in the Urethra

The CIRCON ACMI™ USA Elite System Rotating Continuous Flow Resectoscopes enhance ease of use by enabling the urologist to rotate the working element and telescope to the desired position independent of the sheaths. The result—no rotating components in the urethra and no tangled tubing due to rotating flow ports, simplifying procedures. The new ceramic tip design increases durability and minimizes burned distal tips—resulting in cost savings.



Rotating Continuous Flow Resectoscope with Grooved VaporTrode® Vaporization Electrode

Features

- Rotating design
- Continuous flow
- Snap-In Snap-Out™ locking mechanisms
- Quick release button for electrode
- Snap-on active cord
- Ergonomic handle grip configuration
- Distinct, color coded sheaths and obturators

Benefits

- No tangled tubing; choice of position
- Provides quick clearing of debris and blood
- Quick assembly, rapid release, and accurate alignment
- Secure locking mechanism
- Eliminates electrical current through block, increasing safety
- Provides maximum comfort, balance, and control
- Easy identification of component compatibility and assembly

Telescopes	Working Elements	Size	Color Code	Inner Sheath	Outer Sheath	Timberlake Obturator	Visual Obturator	Loop Electrodes
M3								
M3-0	EIWE	25.6 Fr	Gold	ERIS-CF25	EROS-CF25	ERTO-CF25	ERVO-CF25	MLE-24
M3-12	EIWE-S	27.6 Fr	Gray	ERIS-CF27	EROS-CF27	ERTO-CF27	ERVO-CF27	MLE-26
M3-30	EIWE-A							
M3-70	EMWE							
M3-110	EBWE**							
	EBWE-TP**							
	EAW							

For USA Elite System kit and sheath system ordering information, please refer to p. U-34

Outer Sheath

Distal tip has 360° circumferential outflow holes. Stainless steel construction, color coded, obturators and inner sheath easily snap into outer sheath.

Inner Sheath

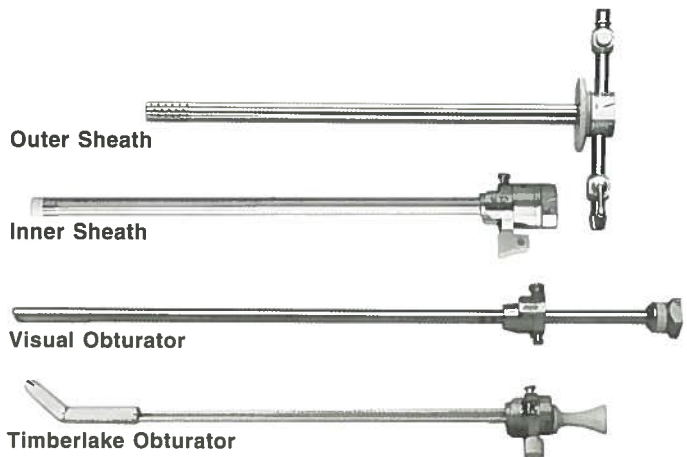
Ceramic distal tip minimizes burning for durability. Stainless steel construction, color coded, snaps directly into outer sheath.

Visual Obturator

For visualization during insertion.

Timberlake Obturator

Articulating tip for ease of insertion.



* Components are not compatible with USA Series™ or Classic Series™ components.

** For availability in the U.S.A., contact Customer Service.

¹ U.S. Patent No. 5,486,155

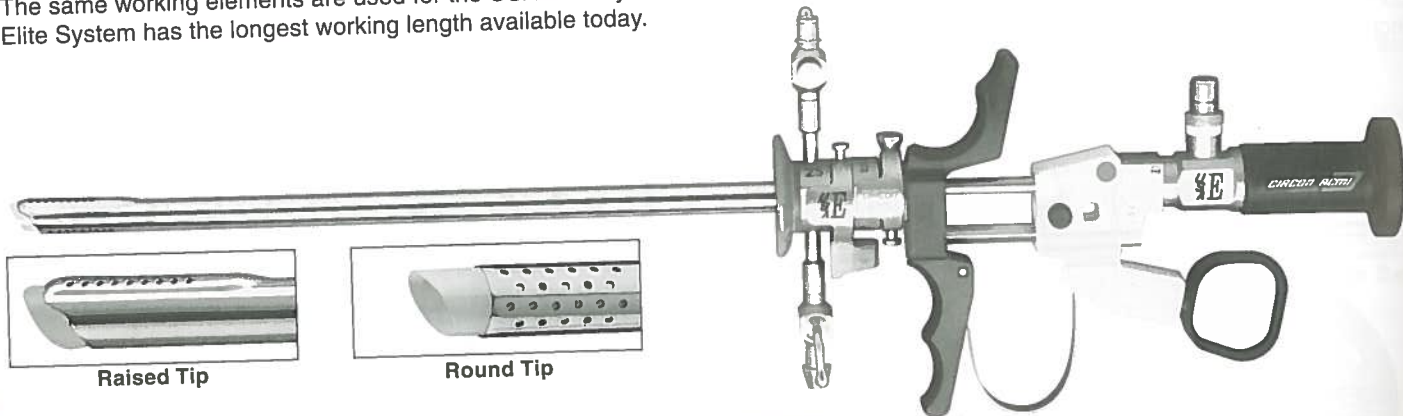
™ Trademark of Circon Corporation or its Subsidiaries in the U.S. and/or other countries of the world

USA Elite System™ Continuous Flow Resectoscopes*

SNAP-IN SNAP-OUT™

Choice of Sheath Design

The USA Elite System Continuous Flow Resectoscopes utilize a dual sheath design to establish a constant flow of irrigant. The same working elements are used for the USA Elite System Continuous Flow and Standard Flow Resectoscopes. The USA Elite System has the longest working length available today.



Features

- High-flow round tip or standard raised tip design
- Snap-on active cord
- Longest available working length (19.9 cm)
- Snap-In Snap-Out™ locking mechanisms
- Option of Iglesias™, McCarthy™, Baumrucker**, and Accessory working elements
- Continuous flow design

Benefits

- Two options available
- Eliminates electrical current through block, increasing safety
- Provides access to all areas of lower urinary tract; versatile
- Quick assembly/release; time saving
- Different working element styles to meet each urologist's needs
- Maintains constant bladder distention pressure, and maintains a clear field of view; eliminates having to interrupt surgery to empty bladder

Telescopes	Working Elements	Size	Color Code	Inner Sheath	Outer Sheath Round Tip or Raised Tip	Timberlake Obturator	Visual Obturator	Loop Electrodes
M3								
M3 Autoclavable	EIWE	25.6 Fr	Yellow	EIS-HCF25	EOS-HCF25 or EOS-CFR25	ETO-CFR25	EVO-CFR25	MLE-24
M3-0 M3-0A	EIWE-S	27.6 Fr	White	EIS-HCF27	EOS-HCF27 or EOS-CFR27	ETO-CFR27	EVO-CFR27	MLE-26
M3-12 M3-12A	EIWE-A							
M3-30 M3-30A	EMWE							
M3-70 M3-70A	EBWE**							
M3-110	EBWE-TP**							
	EAWWE							

For USA Elite System kit and sheath system ordering information, please refer to p. U-34

Outer Sheath

Distal tip has 360° circumferential outflow holes. Stainless steel construction, color coded, obturators and inner sheath easily snap into outer sheath.

Inner Sheath

Ceramic distal tip minimizes burning for durability. Stainless steel construction, color coded, snaps directly into outer sheath.

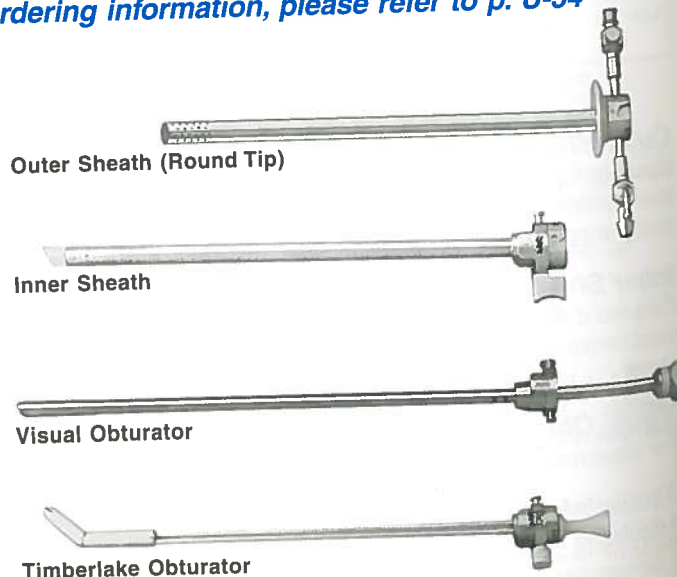
Visual Obturator

For visualization during insertion.

Timberlake Obturator

Articulating tip for ease of insertion.

- * Components are not compatible with USA Series™ or Classic Series™ components.
- ** For availability in the U.S.A., contact Customer Service.



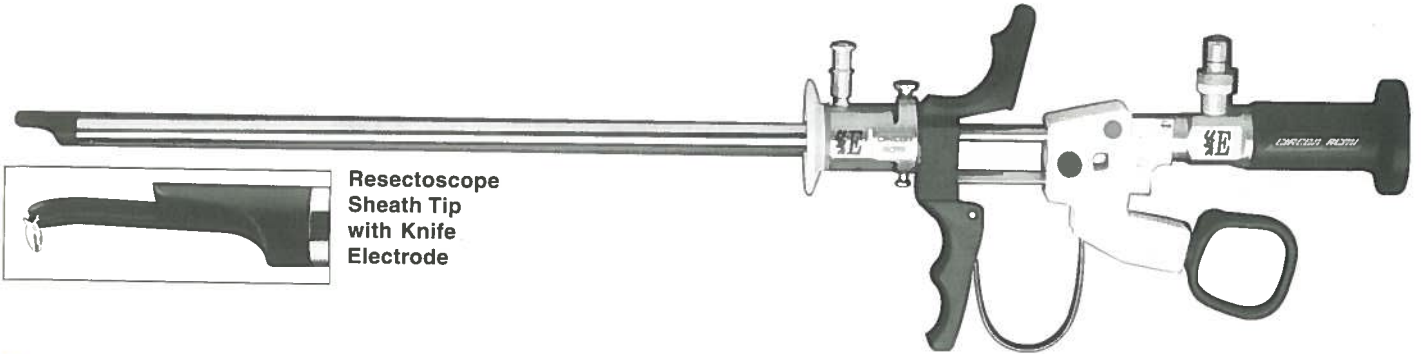
™ Trademark of Circon Corporation or its Subsidiaries in the U.S. and/or other countries of the world

Urology
Lap
Gyn
Gasfro
Anus
Index

USA Elite System™ Standard Flow Resectoscopes^{1*}
Four Sheath Styles

SNAP-IN SNAP-OUT™

The USA Elite System Resectoscope . . . **the longest available working length** . . . is designed with features specifically for transurethral resection (TUR) procedures to treat enlarged prostate glands, remove bladder tumors, and incise strictures in the urinary tract.



Resectoscope Sheath Tip with Knife Electrode

Features

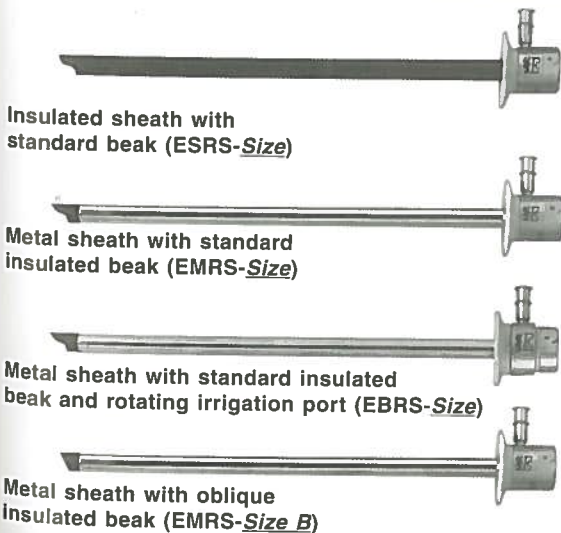
- Longest available working length (20.6 cm)
- Snap-In Snap-Out™ locking mechanisms
- Snap-on active cord
- Distinct, color coded sheaths and obturators
- Timberlake and Visual Obturators

Benefits

- Provides access to distal areas
- Quick assembly, rapid release, and accurate alignment
- Eliminates electrical current through block, increasing safety
- Easy identification of component compatibility and assembly
- Provides less traumatic insertion and choice of insertion technique

Telescopes	Working Elements	Size	Color Code	Sheaths	Timberlake Obturator	Visual Obturator	Loop Electrodes	
M3 Autoclavable M3-0 M3-0A M3-12 M3-12A M3-30 M3-30A M3-70 M3-70A M3-110	EIWE EIWE-S EIWE-A EMWE EBWE** EBWE-TP** EAW	24 Fr	Yellow	Standard Metal Berry Rotating Brown Beak	ESRS-24 EMRS-24 EBRS-24 EMRS-24B	ETOR-24	EVOR-24	MLE-24
		26 Fr	White	Standard Metal Berry Rotating Brown Beak	ESRS-26 EMRS-26 EBRS-26 EMRS-26B	ETOR-26	EVOR-26	MLE-26
		28 Fr	Blue	Standard Metal Berry Rotating Brown Beak	ESRS-28 EMRS-28 EBRS-28 EMRS-28B	ETOR-28	EVOR-28	MLE-28

See next page for kit ordering information



Insulated sheath with standard beak (ESRS-Size)

Metal sheath with standard insulated beak (EMRS-Size)

Metal sheath with standard insulated beak and rotating irrigation port (EBRS-Size)

Metal sheath with oblique insulated beak (EMRS-Size B)



Visual Obturator



Timberlake Obturator

(Brown Beak Timberlake Obturator not shown)

* Components are not compatible with USA or Classic Series components.

** For availability in the U.S.A., contact Customer Service.

¹ U.S. Patent Nos. 4,917,082; 4,917,621; 4,955,884; D319,104; D320,446, Patents Pending
 Trademark of Circon Corporation or its Subsidiaries in the U.S. and/or other countries of the world

Anes
Arth
Gastro
Gyn
Lap
Urology
Video
Illum
Ordering
Index