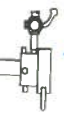


Classic Series™ Resectoscopes

Continuous Flow Sheaths


p. U-44

Inner Sheaths



26 28 Continuous Flow Resectoscope
Classic Series (CFR-SizeS)


Outer Sheaths



26 28 Continuous Flow Resectoscope
Classic Series (CFR-SizeT)

Standard Flow Sheaths

p. U-45

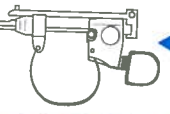


24 26 28 Standard
Standard, Metal, Berry Rotating

24 26 28 Standard Brown Beak
Standard Brown Beak, Metal Brown Beak

Working Elements

p. U-42




B C

Iglesias and McCarthy Working Elements
(4821, 4801, CIWE)

Electrodes

p. U-43

24 26 28




Stabilized and Unstabilized Cutting Loops, Stabilized Bush Cutting Loops, Coagulating, Knife, Punctate, and Roller Electrodes, Grooved, Fluted, and Spiked VaporTodes

Obturators

pp. U-44-45

Timberlake Obturators



26 28 Continuous Flow
Classic Series (CFR-SizeR)


24 26 28 Standard Flow
Classic Series (8411, 8412, 8413)

24 26 28 Standard Flow, Brown Beak
Classic Series (411G, 412G26, 412G28)

Telescopes¹


pp. U-27, 42

A Direct (0°)²




USA Elite System M3 (M3-0)
M3 Autoclavable (M3-0A)
Classic Series (FO-8168D)

B Operative (12°)




USA Elite System M3 (M3-12)
M3 Autoclavable (M3-12A)

C Foroblisque (30°)




USA Elite System M3 (M3-30)
M3 Autoclavable (M3-30A)
Classic Series (FO-8168M)

D Lateral (70°)²



USA Elite System M3 (M3-70)
M3 Autoclavable (M3-70A)
Classic Series (FO-8168L)

E Retrograde (110° or 120°)²



USA Elite System M3 (M3-110: 110°)
Classic Series (FO-8168R: 120°)

NOTES:

- Please note that a Cysto-Telescope Adapter (Cat. No. CTA) is required to use a USA Elite System M3 Telescope or M3 Autoclavable Telescope with the Classic Series Resectoscope.
- For visualization only. DO NOT USE for resection. TM Trademark of Circon Corporation or its Subsidiaries in the U.S. and/or other countries of the world

U-41

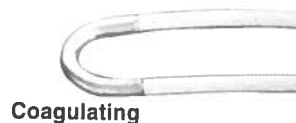
CIRCON ACMI • (888) 5-CIRCON (524-7266) or (203) 357-8300 • Fax: (203) 328-8618 • www.circoncorp.com

CIRCON ACMI
CLASSIC SERIES™ RESECTOSCOPES

Classic Series Electrodes

Description	Size	Color	Wire	Cat. No.
Grooved VaporTrode® ¹	All	Black/ Salmon	---	CVE-B²
Fluted VaporTrode ¹	All	Black/ Salmon	---	CVE-F²
Spiked VaporTrode ¹	All	Black/ Salmon	---	CVE-S²
Grooved VaporTome® ²	All	Black/ Salmon	---	CVE-LG²
Coagulating (6/pkg)	24 Fr	Yellow	---	427C-6S²
	26 Fr	White	---	M226C-6S²
	28 Fr	Blue	---	4812C-6S²
Knife (6/pkg)	24 Fr	Yellow	---	427K-6S²
	26 Fr	White	---	M226K-6S²
	28 Fr	Blue	---	4812K-6S²
Punctate (6/pkg)	24 Fr	Yellow	---	427P-6S²
	26 Fr	White	---	M226P-6S²
	28 Fr	Blue	---	4812P-6S²
Roller Ball (6/pkg)	24 Fr	Yellow	---	427R-6S²
	26 Fr	White	---	M226R-6S²
	28 Fr	Blue	---	4812R-6S²
Stabilized Bush Cutting Loops (12/pkg)	24 Fr	Yellow	.012	M4²
	26 Fr	White	.012	M6²
	28 Fr	Blue	.012	M8²
Stabilized Cutting Loops (12/pkg)	24 Fr	Yellow	.010	4812U-010²
	26 Fr	White	.010	4812T-010²
	28 Fr	Blue	.010	4812S-010²
	24 Fr	Yellow	.012	4812U-012²
	26 Fr	White	.012	4812T-012²
	28 Fr	Blue	.012	4812S-012²
	24 Fr	Yellow	.015	4812U-015²
	26 Fr	White	.015	4812T-015²
	28 Fr	Blue	.015	4812S-015²
	24 Fr	Yellow/ Salmon	.012	CMLE-24-012^{2*}
	26 Fr	White/ Salmon	.012	CMLE-26-012^{2*}
	28 Fr	Blue/ Salmon	.012	CMLE-28-012^{2*}
Unstabilized Cutting Loops (12/pkg)	24 Fr	Yellow	.010	M224-010²
	26 Fr	White	.010	M226-010²
	28 Fr	Blue	.010	4812-010²
	24 Fr	Yellow	.012	M224-012²
	26 Fr	White	.012	M226-012²
	28 Fr	Blue	.012	4812-012²
	24 Fr	Yellow	.015	M224-015²
	26 Fr	White	.015	M226-015²
28 Fr	Blue	.015	4812-015²	

- ¹ Supplied sterile, single-use, disposable
- ² Compatible only with the Classic Series Iglesias Working Element with Snap-On Active Cord (Cat. No. CIWE). Electrodes and CIWE Working Element are color coded salmon.



Coagulating



Grooved VaporTrode¹



Knife



Fluted VaporTrode



Punctate



Roller Ball



Spiked VaporTrode



Stabilized Cutting Loop



Unstabilized Cutting Loop



Grooved VaporTome

NOTE: Standard Flow Resectoscope Sheaths use the same size electrode. Continuous Flow Resectoscope Sheaths use electrodes one size smaller.

*For a complete list of Classic Series
resectoscope accessories,
please refer to p. U-46*

¹ U.S. Patent Nos. 5,699,906; 5,549,605 ² U.S. Patent Nos. 5,582,610; 5,569,244
™ and ® Trademark and registered trademark, respectively, of Circon Corporation or its Subsidiaries in the U.S. and/or other countries of the world

Anes
Arth
Gastro
Gyn
Lap
Urology
Video
Illum
Ordering
Index

Classic Series™ Resectoscope Accessories

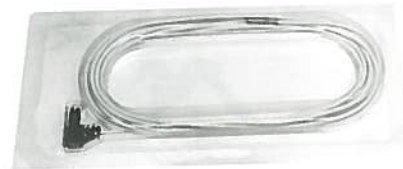
Adapters

- 8198A** Classic Series Cysto-Resectoscope Adapter. Allows use of Classic Series Cystourethroscope Bridges and Biopsy Forceps through Classic Series Resectoscope Sheaths
- CTA** USA Series™ Cysto-Telescope Adapter. Adapts USA Elite System™ M3™ and M3 Autoclavable Telescopes to Classic Series components
- 98-0340** Light Post Adapter for Storz / Olympus Light Guides
- 98-0341** Light Post Adapter for Wolf Light Guides



8198A

CTA



DAC

Light Guide

- G93** High Transmission Autoclavable Fiberoptic Light Guide, "snap-on," 4 mm x 7 ft

Active Cord

- C650-129A** Classic Series Reusable Active Cord for Bovie/ Valleylab Units
- DAC†** USA Elite System and USA Series Disposable Active Cord (12/box), used with Classic Series Iglesias Working Element with Snap-On Active Cord (Cat. No. CIWE) and all USA Elite System and USA Series Working Elements
- DAC-48†** USA Elite System and USA Series Disposable Active Cord (48/case), used with Classic Series Iglesias Working Element with Snap-On Active Cord (Cat. No. CIWE) and all USA Elite System and USA Series Working Elements



75R

75U

Stopcocks

- 75R** Classic Series Resectoscope Stopcock
- 75U** Universal Stopcock, Luer lock

† Supplied sterile, single-use, disposable

Anes

Arth

Gastro

Gyn

Lap

Urology

Video

Illum

Ordering

Index