

USA Elite System™ Gynecologic Resectoscopes

Continuous Flow Sheaths

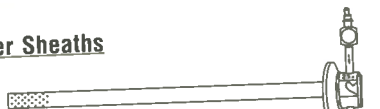
pp. GY-19-20

Inner Sheaths



- 25^{Fr} 27^{Fr} **Rotating Continuous Flow Resectoscope**
USA Elite System (GERIS-CF Size)
- 25^{Fr} 27^{Fr} **Continuous Flow Resectoscope (Round Tip)**
USA Elite System (GEIS-HCF Size)

Outer Sheaths



- 25^{Fr} 27^{Fr} **Rotating Continuous Flow Resectoscope**
USA Elite System (GEROS-CF Size)
- 25^{Fr} 27^{Fr} **Continuous Flow Resectoscope (Round Tip)**
USA Elite System (GEOS-HCF Size)

Standard Flow Sheaths

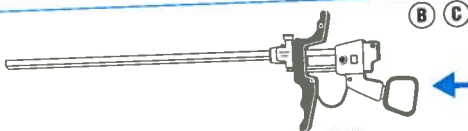
p. GY-21



- 24 26 **Metal Brown Beak**
(EMRS-SizeB)

Working Elements

p. GY-16



Iglesias, Iglesias Short-Block, Baumrucker, and Baumrucker
with Thumb Pad
(GEIWE, GEIWE-S, GEBWE, GEBWE-TP)

Electrodes¹

pp. GY-17-18



24 26
Fluted, Grooved, and Spiked VaporTroses, Coagulating, Punctate, Roller Bar and Ball, Knife, PERKASH Right Angle Knife, Retrograde Knife, Standard Stabilized Cutting Loop, Straight Stabilized Cutting Loop, Soderstrom-Corson (GVE-F, GVE-B, GVE-S, GCE, PE, GRB, GRE, GKE, RAK, RKE, GMLE, GMLES, SCE)

Obturator

pp. GY-19-21

Visual Obturators



- 25^{Fr} 27^{Fr} **Rotating Continuous Flow**
USA Elite System (GERVO-CF Size)
- 25 27 **Continuous Flow**
USA Elite System (GEVO-CFR Size)
- 24 26 **Standard Flow**
USA Elite System (EVOR-Size)

Telescopes

p. GY-15

A Direct (0°)

USA Elite System M3G (M3G-0)
M3G Autoclavable (M3G-0A)²

B Operative (12°)

USA Elite System M3G (M3G-12)
M3G Autoclavable (M3G-12A)

C Foroblique (30°)

USA Elite System M3G (M3G-30)
M3G Autoclavable (M3G-30A)

For kit and sheath system ordering information, please refer to p. GY-22.

NOTES:

- Please note that electrodes for all continuous flow sheaths are one size smaller than the sheath size (e.g., 25 Fr sheath uses 24 Fr electrode)
- For visualization only. DO NOT use in resectoscope working element.

² Trademark of Circon Corporation or its Subsidiaries in the U.S. and/or other countries of the world

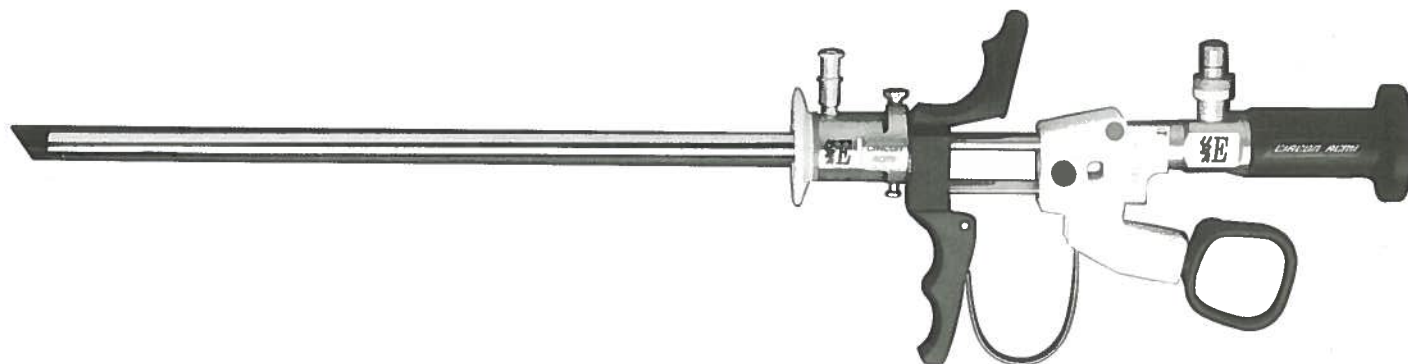
24 Instrument French size

A Telescope compatibility

USA Elite System™ Standard Flow Resectoscopes^{1*}

SNAP-IN SNAP-OUT™

The USA Elite System Gynecologic Standard Flow Resectoscope . . . **the longest available working length** . . . is designed with features specifically for endometrial ablation and fibroid resection using high viscosity distention media. The USA Elite System Iglesias™ Working Element can only be used with USA Elite System Gynecologic Resectoscope sheaths.



Features

- Longest available working length (20.6 cm)
- Snap-In Snap-Out™ locking mechanism
- Quick-release button for electrode
- Active cord attaches directly to electrode
- Ergonomic handle grip configuration
- Distinct, color-coded sheaths and obturators
- Visual obturator
- Compatible with USA Elite System M3G™ Telescope optics

Benefits

- Provides access to all areas of the uterus
- Quick assembly, rapid release, accurate alignment
- Secure locking mechanism
- Eliminates electrical current through block, increasing safety
- Provides maximum comfort, balance, and control
- Ease of identification of component compatibility and assembly
- Provides less traumatic insertion under direct visualization
- Excellent clarity, depth of field, resolution, and video compatibility

Telescopes		Working Elements	Size	Color Code	Brown Beak Sheaths	Visual Obturator
M3G	M3G Autoclavable	GEIWE	24 Fr	Yellow	EMRS-24B	EVOR-24
M3G-0†	M3G-0A†	GEIWE-S				
M3G-12	M3G-12A	GEBWE**	26 Fr	White	EMRS-26B	EVOR-26
M3G-30	M3G-30A	GEBWE-TP**				

For kit and sheath system ordering information, please refer to p. GY-22.

Metal Brown Beak Sheath

Metal sheath with oblique insulated beak.

Visual Obturator

Provides less traumatic insertion into the cervical canal under direct visualization.



Metal sheath with oblique insulated beak (EMRS size B)



Visual Obturator

* Components are not compatible with USA Series™ components.

** For availability in the U.S.A., contact Customer Service.

† For visualization only. DO NOT use for resection.

¹ U.S. Patent Nos. 4,917,082; 4,917,621; 4,955,884; D319,104; D320,446, Patents Pending

™ Trademark of Circon Corporation or its Subsidiaries in the U.S. and/or other countries of the world