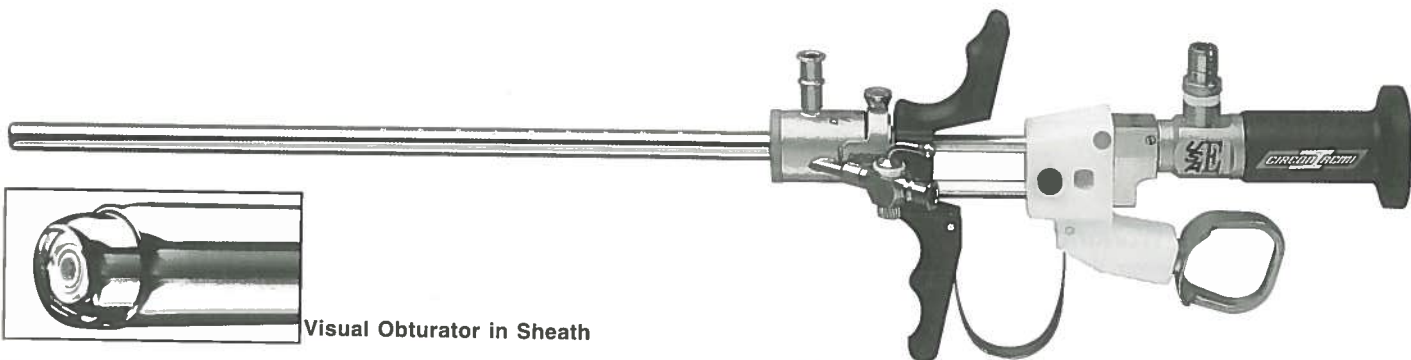


Visual Urethrotome/Female Urethroscope

SNAP-IN SNAP-OUT™

The USA Elite System™ and USA Series™ Visual Urethrotomes are utilized for incision of urethral strictures and bladder neck contractures under direct vision. The visual obturator converts the visual urethrotome to a direct vision urethroscope.



Features

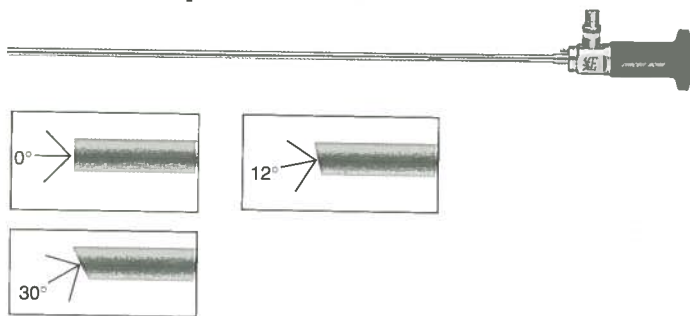
- 5 Fr port
- Visual obturator
- Snap-In Snap-Out™ locking mechanisms
- Four blades available

Benefits

- Accommodates guidewire or small catheter
- Less traumatic insertion of the sheath to the stricture level
- Secure assembly
- Selection for all types of strictures

USA Elite System™ M3™ and M3 Autoclavable Telescopes

Description	View	Color Code	Cat. No.
USA Elite System M3	0°	Yellow	M3-0
USA Elite System M3	12°	Green	M3-12
USA Elite System M3	30°	White	M3-30
USA Elite System M3 Autoclavable	0°	Yellow	M3-0A
USA Elite System M3 Autoclavable	12°	Green	M3-12A
USA Elite System M3 Autoclavable	30°	White	M3-30A



Accessories

- 98-0340 Light Post Adapter for Storz / Olympus Light Guides
- 98-0341 Light Post Adapter for Wolf Light Guides

Sheaths

USA Elite System Sheath

EVUS-22 USA Elite System Visual Urethrotome Sheath, 22 Fr

USA Series Sheath

VUS-22 USA Series Visual Urethrotome Sheath, 22 Fr

Obturers

USA Elite System

- EVUS-22-OB USA Elite System Visual Urethrotome/Urethroscope Visual Obturator, 22 Fr
- EVUS-22-O USA Elite System Visual Urethrotome/Urethroscope Standard Obturator, 22 Fr

USA Series

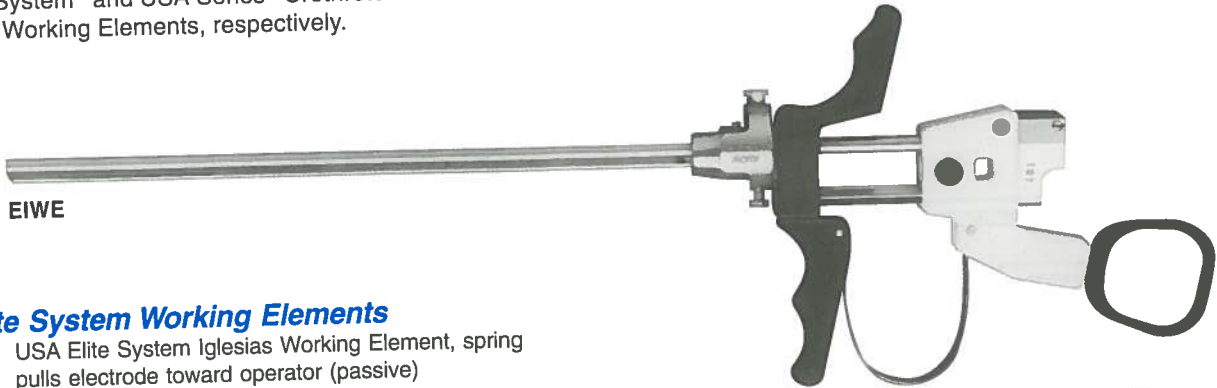
- VUS-22-OB USA Series Visual Urethrotome/Urethroscope Visual Obturator, 22 Fr
- VUS-22-O USA Series Visual Urethrotome/Urethroscope Standard Obturator, 22 Fr

™ Trademark of Circon Corporation or its Subsidiaries in the U.S. and/or other countries of the world

Anes
Arth
Gastro
Gyn
Lap
Urology
Video
Illum
Ordering
Index

Working Elements

USA Elite System™ and USA Series™ Urethrotome Sheaths are used only with USA Elite System and USA Series Iglesias and Accessory Working Elements, respectively.



EIWE

USA Elite System Working Elements

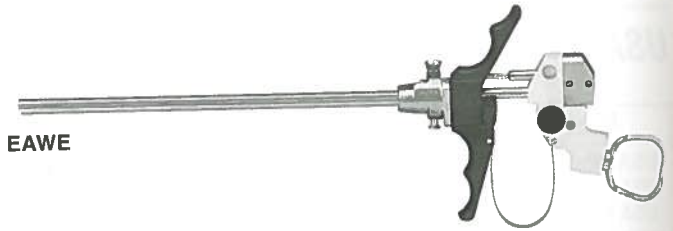
- EIWE** USA Elite System Iglesias Working Element, spring pulls electrode toward operator (passive)
- EIWE-A** USA Elite System Iglesias Working Element with Classic Series Thumb Ring, spring pulls electrode toward operator (passive)
- EIWE-S** USA Elite System Iglesias Short-Block Working Element, reduced gripping span (passive)
- EAWE** USA Elite System Accessory Working Element, use with flexible accessories up to 7.2 Fr



EIWE-S

USA Series Working Elements

- IWE** USA Series Iglesias Working Element, spring pulls electrode toward operator (passive)
- IWE-A** USA Series Iglesias Working Element with Classic Series Thumb Ring, spring pulls electrode toward operator (passive)
- AWE** USA Series Accessory Working Element, for use with flexible accessories up to 7.2 Fr



EAWE

EAWE-N

Accessories

- EAWE-N** USA Elite System Endoscopic Injection Needle, reusable, for injecting substances into the bladder neck, used with USA Elite System and USA Series Accessory Working Elements and Visual Urethrotomes.
- S-AWE-B†** Seals for Accessory Working Element (EAWE or AWE), blind (6/pkg)
- S-AWE-S†** Seals for Accessory Working Element (EAWE or AWE), slit, self-sealing (6/pkg)

† Supplied sterile, single-use, disposable

USA Elite System and USA Series Cold Knives

For use only with USA Elite System and USA Series Visual Urethrotome Sheaths and Iglesias Working Elements.

- K-HB** Cold Knife, hook blade (3/pkg)
- K-HM** Cold Knife, half-moon blade (3/pkg)
- K-SB** Cold Knife, straight blade (3/pkg)
- K-SE** Cold Knife, serrated blade (3/pkg)



K-HB



K-HM



K-SB



K-SE

U.S. Patent Nos. 4,917,621; 4,919,131; 4,955,884; 5,151,101
 ™ Trademark of Circon Corporation or its Subsidiaries in the U.S. and/or other countries of the world

Arteries
 Arth
 Gastro
 Gyn
 Lap
 Urology
 Video
 Illum
 Ordering
 Index

Visual Urethrotome Systems

EVUS-22-ST USA Elite System™ Visual Urethrotome/Urethroscope System includes:

- EVUS-22 USA Elite System Visual Urethrotome Sheath, 22 Fr
- EVUS-22-OB USA Elite System Visual Obturator

VUS-22-ST USA Series™ Visual Urethrotome/Urethroscope System includes:

- VUS-22 USA Series Visual Urethrotome Sheath, 22 Fr
- VUS-22-OB USA Series Visual Obturator

Visual Urethrotome/Urethroscope Kits

EVUS-22K USA Elite System Visual Urethrotome/Urethroscope Kit includes:

- EVUS-22 USA Elite System Visual Urethrotome/Urethroscope Sheath, 22 Fr
- EVUS-22-OB USA Elite System Visual Obturator
- EVUS-22-O USA Elite System Standard Obturator
- M3-0 USA Elite System M3™ Direct Telescope, 0°
- EIWE USA Elite System Iglesias™ Working Element
- K-HB* Cold Knife, hook blade
- K-HM* Cold Knife, half-moon blade
- K-SB* Cold Knife, straight blade
- K-SE* Cold Knife, serrated blade
- 99-0256 Shipping Case

VUS-22K USA Series Visual Urethrotome/Urethroscope Kit includes:

- VUS-22 USA Series Visual Urethrotome/Urethroscope Sheath, 22 Fr
- VUS-22-OB USA Series Visual Obturator
- VUS-22-O USA Series Standard Obturator
- M3-0 USA Elite System M3 Direct Telescope, 0°
- IWE USA Series Iglesias Working Element
- K-HB* Cold Knife, hook blade
- K-HM* Cold Knife, half-moon blade
- K-SB* Cold Knife, straight blade
- K-SE* Cold Knife, serrated blade
- 99-0256 Shipping Case

* One each