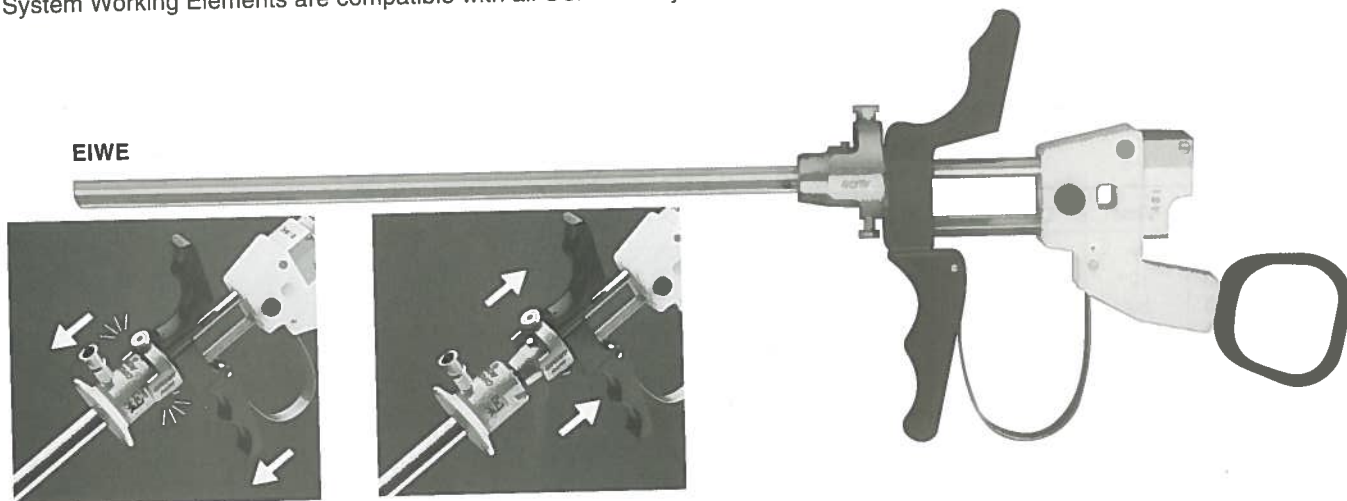


**USA Elite System™ Working Elements**  
**UltraGlide™ Action**

USA Elite System Working Elements are ergonomically designed to maintain surgeon comfort during resection. The USA Elite System Working Elements include Snap-In Snap-Out™ locking mechanisms for secure and accurate alignment. All USA Elite System Working Elements are compatible with all USA Elite System Resectoscope and Urethrotome Sheaths.



**Benefits**

- Eliminates ESU current through block, increasing safety
- Maintains surgeon comfort throughout procedure
- Quick assembly, rapid release, and accurate alignment
- Secure electrode connection

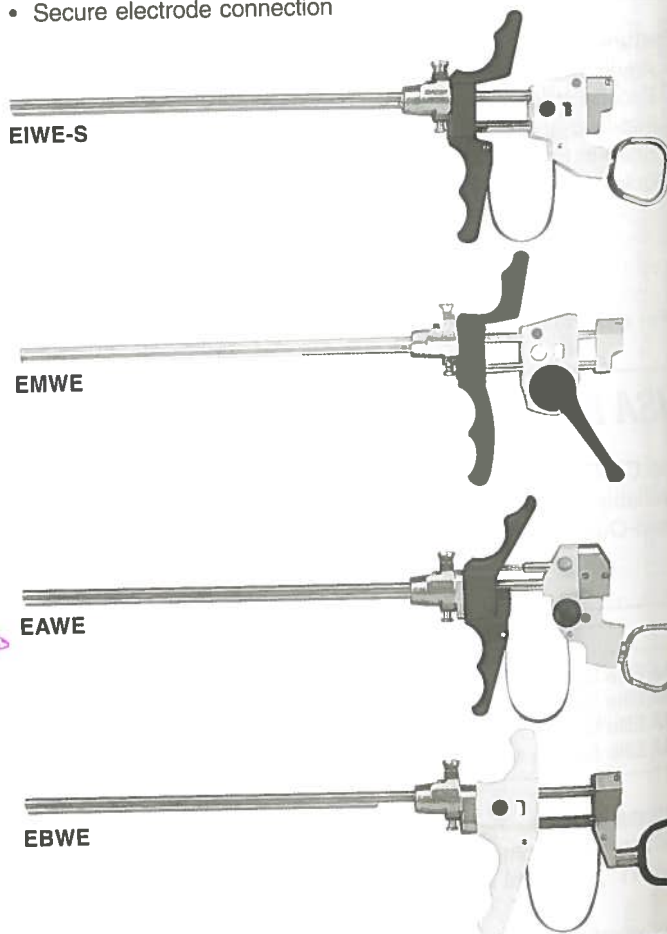
**Features**

- Snap-on active cord
- Ergonomic finger grip
- Snap-In Snap-Out locking mechanism
- Electrode quick release button

**USA Elite System Working Elements**

- EIWE** USA Elite System Iglesias™ Working Element, spring pulls loop toward operator (passive)
- EIWE-S** USA Elite System Iglesias™ Short-Block Working Element, reduced gripping span (passive)
- EIWE-A** USA Elite System Iglesias™ Working Element with Classic Series Thumb Ring, spring pulls loop toward operator (passive)
- EMWE** USA Elite System McCarthy™ Working Element, rack and pinion motion of electrode
- EAWE\*** USA Elite System Accessory Working Element, use with flexible accessories up to 7.2 Fr
- EBWE\*** USA Elite System Baumrucker Working Element, spring pushes electrode forward (active)
- EBWE-TP\*** USA Elite System Baumrucker Working Element with Thumb Pad, spring pushes electrode forward, thumb pad replaces thumb ring (active)

\* For availability in the U.S.A., contact Customer Service at (888) 5-CIRCON (524-7266).



1 U.S. Patent No. 4,920,961

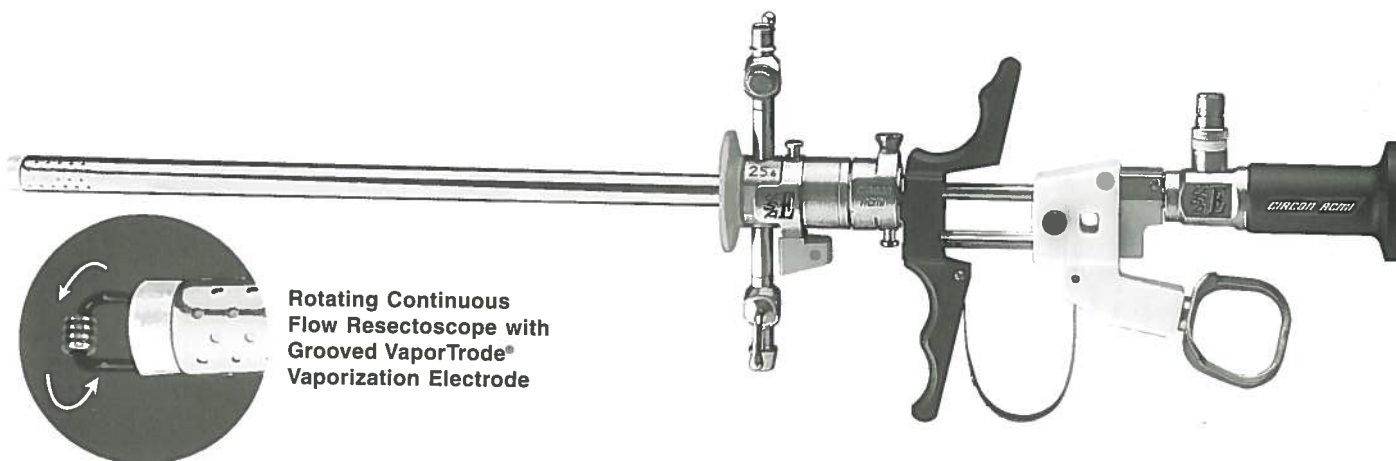
™ Trademark of Circon Corporation or its Subsidiaries in the U.S. and/or other countries of the world

Urology  
Video  
Illum  
Ordering  
Index  
Lap  
Gyn  
Gastro

**USA Elite System™ Rotating Continuous Flow Resectoscopes<sup>1\*</sup>**  
**NO Rotating Components in the Urethra**

**SNAP-IN SNAP-OUT™**

The CIRCON ACMI™ USA Elite System Rotating Continuous Flow Resectoscopes enhance ease of use by enabling the urologist to rotate the working element and telescope to the desired position independent of the sheaths. The result—no rotating components in the urethra and no tangled tubing due to rotating flow ports, simplifying procedures. The new ceramic tip design increases durability and minimizes burned distal tips—resulting in cost savings.



Rotating Continuous Flow Resectoscope with Grooved VaporTrodé® Vaporization Electrode

**Features**

- Rotating design
- Continuous flow
- Snap-In Snap-Out™ locking mechanisms
- Quick release button for electrode
- Snap-on active cord
- Ergonomic handle grip configuration
- Distinct, color coded sheaths and obturators

**Benefits**

- No tangled tubing; choice of position
- Provides quick clearing of debris and blood
- Quick assembly, rapid release, and accurate alignment
- Secure locking mechanism
- Eliminates electrical current through block, increasing safety
- Provides maximum comfort, balance, and control
- Easy identification of component compatibility and assembly

Telescopes	Working Elements	Size	Color Code	Inner Sheath	Outer Sheath	Timberlake Obturator	Visual Obturator	Loop Electrodes
<b>M3 Autoclavable</b>								
M3-0 M3-0A	EIWE	25.6 Fr	Gold	ERIS-CF25	EROS-CF25	ERTO-CF25	ERVO-CF25	MLE-24
M3-12 M3-12A	EIWE-S	27.6 Fr	Gray	ERIS-CF27	EROS-CF27	ERTO-CF27	ERVO-CF27	MLE-26
M3-30 M3-30A	EIWE-A							
M3-70 M3-70A	EMWE							
M3-110	EBWE**							
	EBWE-TP**							
	EAWWE							

**For USA Elite System kit and sheath system ordering information, please refer to p. U-34**

**Outer Sheath**

Distal tip has 360° circumferential outflow holes. Stainless steel construction, color coded, obturators and inner sheath easily snap into outer sheath.

**Inner Sheath**

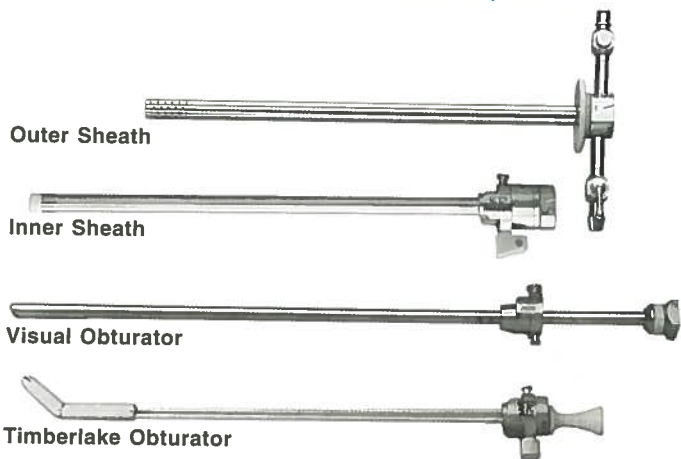
Ceramic distal tip minimizes burning for durability. Stainless steel construction, color coded, snaps directly into outer sheath.

**Visual Obturator**

For visualization during insertion.

**Timberlake Obturator**

Articulating tip for ease of insertion.



\* Components are not compatible with USA Series™ or Classic Series™ components.

\*\* For availability in the U.S.A., contact Customer Service.

<sup>1</sup> U.S. Patent No. 5,486,155

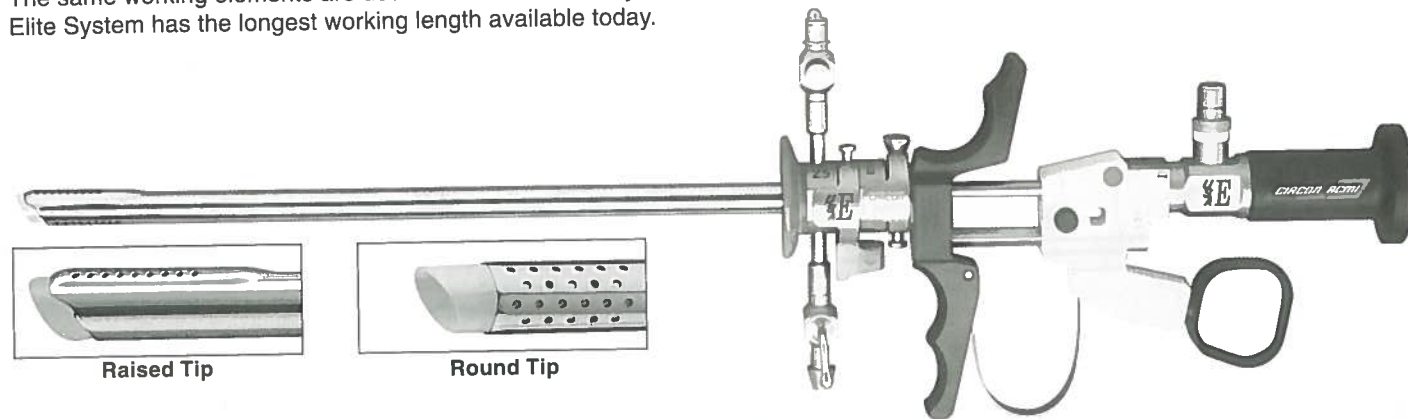
™ Trademark of Circon Corporation or its Subsidiaries in the U.S. and/or other countries of the world



**USA Elite System™ Continuous Flow Resectoscopes\***  
**Choice of Sheath Design**

**SNAP-IN SNAP-OUT™**

The USA Elite System Continuous Flow Resectoscopes utilize a dual sheath design to establish a constant flow of irrigant. The same working elements are used for the USA Elite System Continuous Flow and Standard Flow Resectoscopes. The USA Elite System has the longest working length available today.



**Features**

- High-flow round tip or standard raised tip design
- Snap-on active cord
- Longest available working length (19.9 cm)
- Snap-In Snap-Out™ locking mechanisms
- Option of Iglesias™, McCarthy™, Baumrucker\*\*, and Accessory working elements
- Continuous flow design

**Benefits**

- Two options available
- Eliminates electrical current through block, increasing safety
- Provides access to all areas of lower urinary tract; versatile
- Quick assembly/release; time saving
- Different working element styles to meet each urologist's needs
- Maintains constant bladder distention pressure, and maintains a clear field of view; eliminates having to interrupt surgery to empty bladder

Telescopes	Working Elements	Size	Color Code	Inner Sheath	Outer Sheath Round Tip or Raised Tip	Timberlake Obturator	Visual Obturator	Loop Electrodes
<b>M3 Autoclavable</b> M3-0 M3-0A M3-12 M3-12A M3-30 M3-30A M3-70 M3-70A M3-110	EIWE EIWE-S EIWE-A EMWE EBWE** EBWE-TP** EAW	25.6 Fr 27.6 Fr	Yellow White	EIS-HCF25 EIS-HCF27	EOS-HCF25 or EOS-CFR25 EOS-HCF27 or EOS-CFR27	ETO-CFR25 ETO-CFR27	EVO-CFR25 EVO-CFR27	MLE-24 MLE-26

For USA Elite System kit and sheath system ordering information, please refer to p. U-34

**Outer Sheath**

Distal tip has 360° circumferential outflow holes. Stainless steel construction, color coded, obturators and inner sheath easily snap into outer sheath.

**Inner Sheath**

Ceramic distal tip minimizes burning for durability. Stainless steel construction, color coded, snaps directly into outer sheath.

**Visual Obturator**

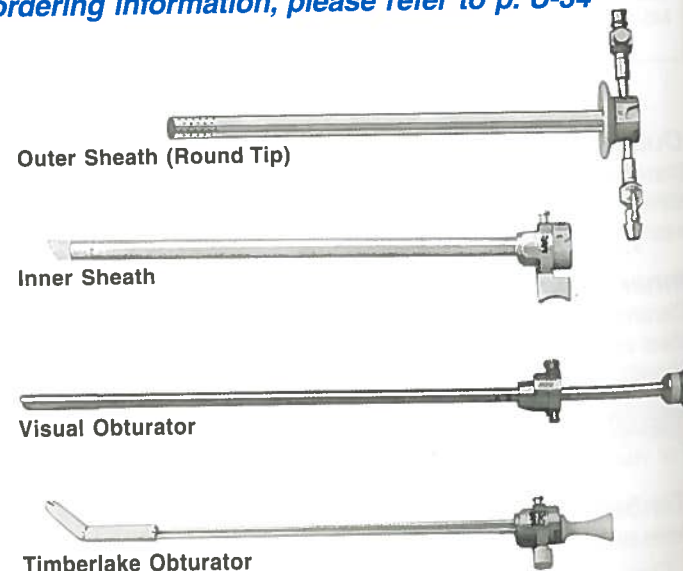
For visualization during insertion.

**Timberlake Obturator**

Articulating tip for ease of insertion.

\* Components are not compatible with USA Series™ or Classic Series™ components.

\*\* For availability in the U.S.A., contact Customer Service.

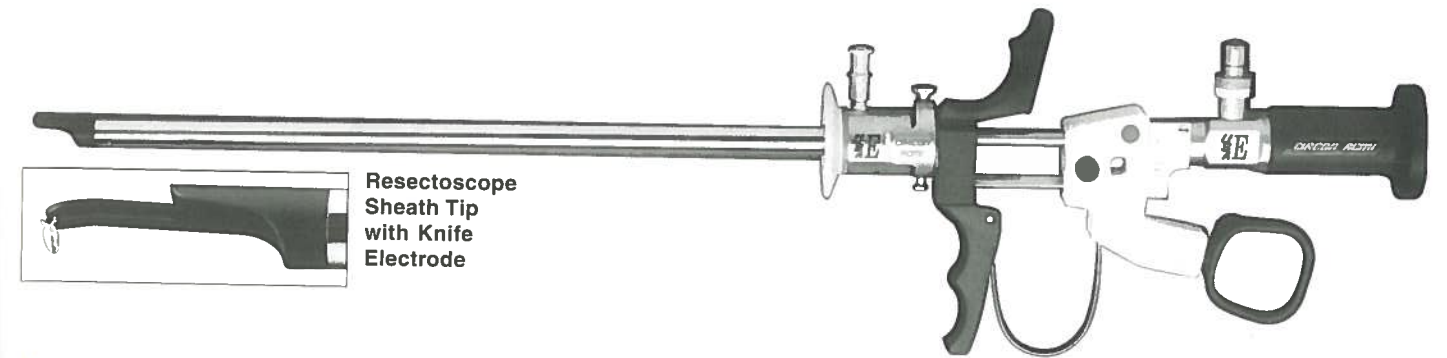


™ Trademark of Circon Corporation or its Subsidiaries in the U.S. and/or other countries of the world

**USA Elite System™ Standard Flow Resectoscopes<sup>1</sup>\***  
**Four Sheath Styles**

**SNAP-IN SNAP-OUT™**

The USA Elite System Resectoscope . . . the longest available working length . . . is designed with features specifically for transurethral resection (TUR) procedures to treat enlarged prostate glands, remove bladder tumors, and incise strictures in the urinary tract.



**Features**

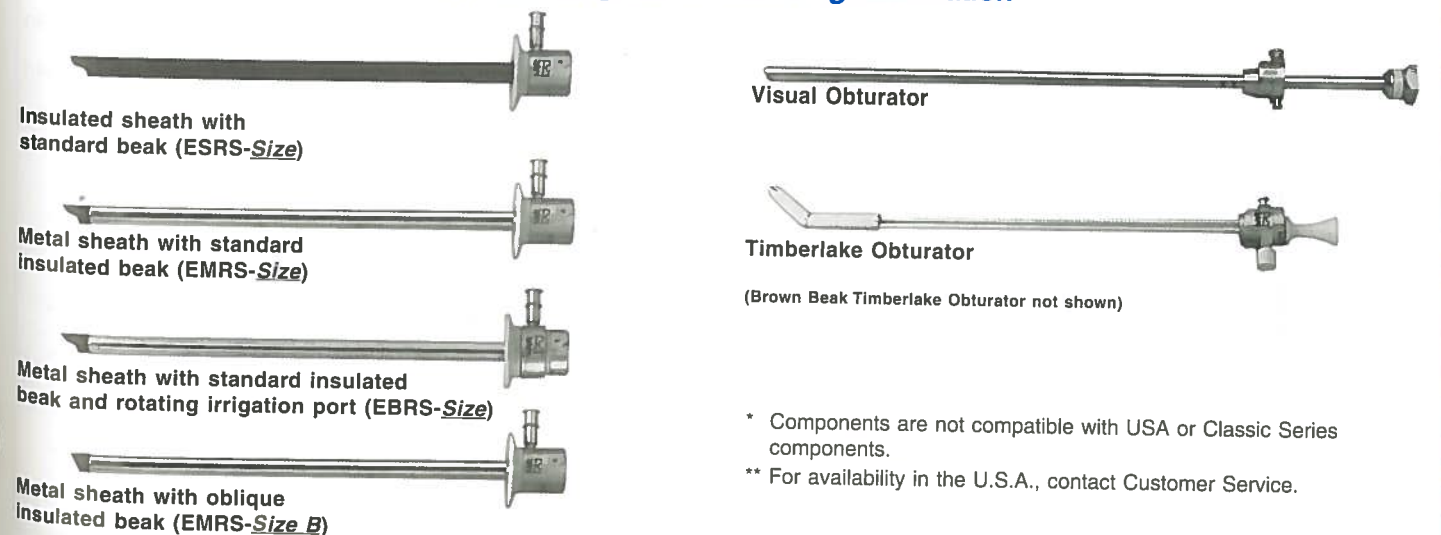
- Longest available working length (20.6 cm)
- Snap-In Snap-Out™ locking mechanisms
- Snap-on active cord
- Distinct, color coded sheaths and obturators
- Timberlake and Visual Obturators

**Benefits**

- Provides access to distal areas
- Quick assembly, rapid release, and accurate alignment
- Eliminates electrical current through block, increasing safety
- Easy identification of component compatibility and assembly
- Provides less traumatic insertion and choice of insertion technique

Telescopes	Working Elements	Size	Color Code	Sheaths	Timberlake Obturator	Visual Obturator	Loop Electrodes
M3 M3-0 M3-12 M3-30 M3-70 M3-110	M3 Autoclavable EIWE EIWE-S EIWE-A EMWE EBWE** EBWE-TP** EAW	24 Fr	Yellow	Standard Metal Berry Rotating Brown Beak	ESRS-24 EMRS-24 EBRS-24 EMRS-24B	ETOR-24	EVOR-24 MLE-24
		26 Fr	White	Standard Metal Berry Rotating Brown Beak	ESRS-26 EMRS-26 EBRS-26 EMRS-26B	ETOR-26	EVOR-26 MLE-26
		28 Fr	Blue	Standard Metal Berry Rotating Brown Beak	ESRS-28 EMRS-28 EBRS-28 EMRS-28B	ETOR-28	EVOR-28 MLE-28

See next page for kit ordering information



\* Components are not compatible with USA or Classic Series components.  
 \*\* For availability in the U.S.A., contact Customer Service.

<sup>1</sup> U.S. Patent Nos. 4,917,082; 4,917,621; 4,955,884; D319,104; D320,446, Patents Pending  
 Trademark of Circon Corporation or its Subsidiaries in the U.S. and/or other countries of the world



Anes

Arth

Gastro

Gyn

Lap

Urology

Video

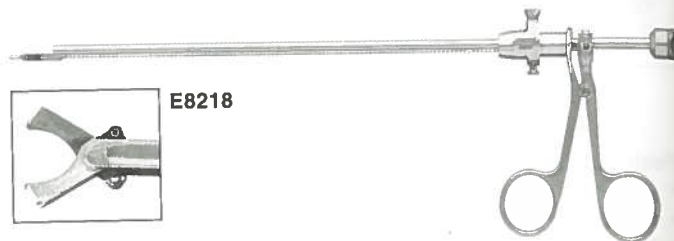
Illum

Ordering

Index

**USA Elite System™ Resectoscope Accessories (also see p. U-40)**


- ERLB-7.5** USA Elite System Resectoscope Laser Bridge. Allows insertion of laser fiber, injection needle, or other accessory through the 7.5 Fr working channel
- ERBR** USA Elite System Examining Bridge. Adapts Classic Series Retrograde Telescope (FO-8168R) to USA Elite System Resectoscope Sheaths
- ESCR** USA Elite System Cysto-Resectoscope Spacer. Adapts USA Elite System Short Bridges or Rigid Optical Forceps to USA Elite System Resectoscope Sheaths. Positions the distal tip of the USA Elite System M3 Telescope in close proximity to the distal end of the resectoscope sheath
- E8218** USA Elite System Rigid Optical Hook Scissors. Snaps directly into USA Elite System resectoscope sheaths; compatible with USA Elite System M3 Telescopes
- S-AWE-B†** Seals for EAWE and AWE Working Elements, blind (6/pkg)
- S-AWE-S†** Seals for EAWE and AWE Working Elements, slit, self-sealing (6/pkg)
- EAWE-N** USA Elite System Endoscopic Injection Needle, reusable, for injecting substances into the bladder neck; used with USA Elite System and USA Series Accessory Working Elements and Visual Urethrotomes



**EAWE-N**

† Supplied sterile, single-use, disposable

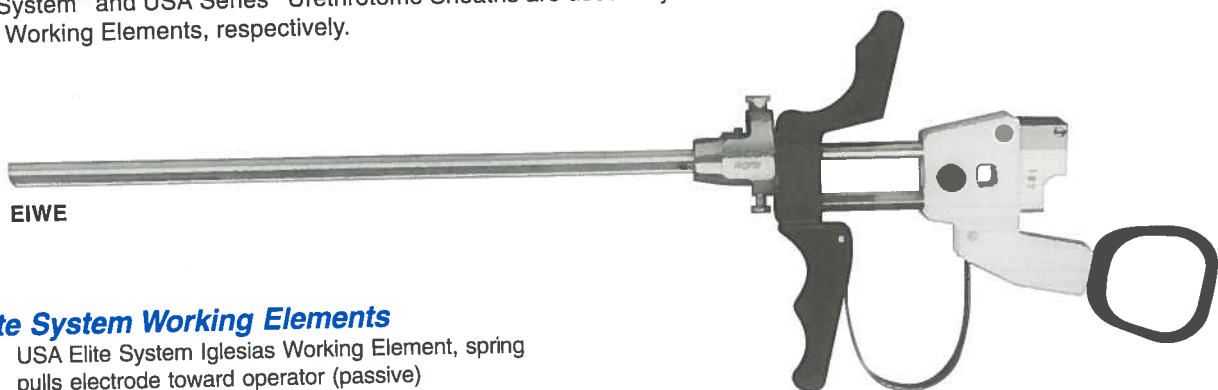
**USA Elite System Resectoscope Kits and Sheath Systems**

	Kit Catalog No.	Color	Size	M3 Telescope	Iglesias Working Element	Sheaths	Visual Obturators	Timberlake Obturators	Accessories	Shipping Case
Master Kit	E-RMK	---	All	M3-30 (30°)	EIWE	ESRS-24,26,28 EIS-HCF25,27 EOS-CFR25,27	EVOR-24,26,28 EVO-CFR25,27	ETOR-24,26,28 ETO-CFR25,27	ETA-L, ETA-NL, ETA-LCF, 96E	99-0341
Continuous Flow Kit	E-RCFK	---	All	M3-30 (30°)	EIWE	EIS-HCF25,27 EOS-CFR25,27	EVO-CFR25,27	ETO-CFR25,27	ETA-LCF, 96E	99-0340
Standard Flow Kit	E-RSK	---	All	M3-30 (30°)	EIWE	ESRS-24,26,28	EVOR-24,26,28	ETOR-24,26,28	ETA-L, ETA-NL, 96E	99-0339
Rotating CFR Kit 12°, 25.6 Fr	ERK12-CF25	Gold	25.6 Fr	M3-12 (12°)	EIWE	ERIS-CF25, EROS-CF25	ERVO-CF25	ERTO-CF25	---	99-0256-1
Rotating CFR Kit 30°, 25.6 Fr	ERK30-CF25	Gold	25.6 Fr	M3-30 (30°)	EIWE	ERIS-CF25, EROS-CF25	ERVO-CF25	ERTO-CF25	---	99-0256-1
Rotating CFR Kit 12°, 27.6 Fr	ERK12-CF27	Gray	27.6 Fr	M3-12 (12°)	EIWE	ERIS-CF27, EROS-CF27	ERVO-CF27	ERTO-CF27	---	99-0256-1
Rotating CFR Kit 30°, 27.6 Fr	ERK30-CF27	Gray	27.6 Fr	M3-30 (30°)	EIWE	ERIS-CF27, EROS-CF27	ERVO-CF27	ERTO-CF27	---	99-0256-1
Rotating CFR System, Standard	ERST-CF25	Gold	25.6 Fr	---	---	ERIS-CF25, EROS-CF25	---	ERTO-CF25	---	---
Rotating CFR System, Standard	ERST-CF27	Gray	27.6 Fr	---	---	ERIS-CF27, EROS-CF27	---	ERTO-CF27	---	---
Rotating CFR System, Visual	ERSV-CF25	Gold	25.6 Fr	---	---	ERIS-CF25, EROS-CF25	ERVO-CF25	---	---	---
Rotating CFR System, Visual	ERSV-CF27	Gray	27.6 Fr	---	---	ERIS-CF27, EROS-CF27	ERVO-CF27	---	---	---
CFR System, Raised Tip	EST-CFR25	Yellow	25.6 Fr	---	---	EIS-HCF25, EOS-CFR25	---	ETO-CFR25	---	---
CFR System, Raised Tip	EST-CFR27	White	27.6 Fr	---	---	EIS-HCF27, EOS-CFR27	---	ETO-CFR27	---	---
CFR System, Round Tip	EST-HCF25	Yellow	25.6 Fr	---	---	EIS-HCF25, EOS-HCF25	---	ETO-CFR25	---	---
CFR System, Round Tip	EST-HCF27	White	27.6 Fr	---	---	EIS-HCF27, EOS-HCF27	---	ETO-CFR27	---	---

™ Trademark of Circon Corporation or its Subsidiaries in the U.S. and/or other countries of the world

**Working Elements**

USA Elite System™ and USA Series™ Urethrotome Sheaths are used only with USA Elite System and USA Series Iglesias and Accessory Working Elements, respectively.



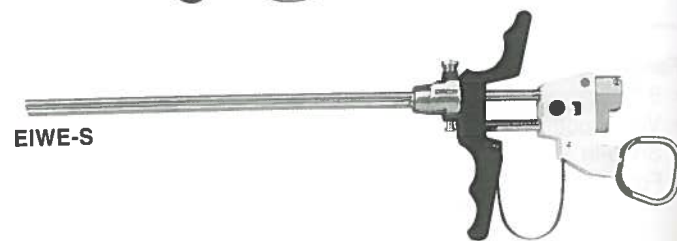
EIWE

**USA Elite System Working Elements**

- EIWE** USA Elite System Iglesias Working Element, spring pulls electrode toward operator (passive)
- EIWE-A** USA Elite System Iglesias Working Element with Classic Series Thumb Ring, spring pulls electrode toward operator (passive)
- EIWE-S** USA Elite System Iglesias Short-Block Working Element, reduced gripping span (passive)
- EAW** USA Elite System Accessory Working Element, use with flexible accessories up to 7.2 Fr

**USA Series Working Elements**

- IWE** USA Series Iglesias Working Element, spring pulls electrode toward operator (passive)
- IWE-A** USA Series Iglesias Working Element with Classic Series Thumb Ring, spring pulls electrode toward operator (passive)
- AWE** USA Series Accessory Working Element, for use with flexible accessories up to 7.2 Fr



EIWE-S



EAW

EAW-N

**Accessories**

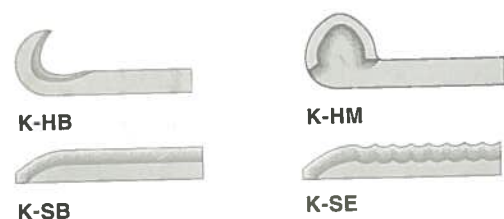
- EAW-N** USA Elite System Endoscopic Injection Needle, reusable, for injecting substances into the bladder neck, used with USA Elite System and USA Series Accessory Working Elements and Visual Urethrotomes.
- S-AWE-B†** Seals for Accessory Working Element (EAW or AWE), blind (6/pkg)
- S-AWE-S†** Seals for Accessory Working Element (EAW or AWE), slit, self-sealing (6/pkg)

† Supplied sterile, single-use, disposable

**USA Elite System and USA Series Cold Knives**

For use only with USA Elite System and USA Series Visual Urethrotome Sheaths and Iglesias Working Elements.

- K-HB** Cold Knife, hook blade (3/pkg)
- K-HM** Cold Knife, half-moon blade (3/pkg)
- K-SB** Cold Knife, straight blade (3/pkg)
- K-SE** Cold Knife, serrated blade (3/pkg)



K-HB

K-HM

K-SB

K-SE

U.S. Patent Nos. 4,917,621; 4,919,131; 4,955,884; 5,151,101

™ Trademark of Circon Corporation or its Subsidiaries in the U.S. and/or other countries of the world

**Visual Urethrotome Systems**

- EVUS-22-ST USA Elite System™ Visual Urethrotome/Urethroscope System** includes:  
 EVUS-22 USA Elite System Visual Urethrotome Sheath, 22 Fr  
 EVUS-22-OB USA Elite System Visual Obturator

- VUS-22-ST USA Series™ Visual Urethrotome/Urethroscope System** includes:  
 VUS-22 USA Series Visual Urethrotome Sheath, 22 Fr  
 VUS-22-OB USA Series Visual Obturator

**Visual Urethrotome/Urethroscope Kits**

- EVUS-22K USA Elite System Visual Urethrotome/Urethroscope Kit** includes:  
 EVUS-22 USA Elite System Visual Urethrotome/Urethroscope Sheath, 22 Fr  
 EVUS-22-OB USA Elite System Visual Obturator  
 EVUS-22-O USA Elite System Standard Obturator  
 M3-0 USA Elite System M3™ Direct Telescope, 0°  
 EIWE USA Elite System Iglesias™ Working Element  
 K-HB\* Cold Knife, hook blade  
 K-HM\* Cold Knife, half-moon blade  
 K-SB\* Cold Knife, straight blade  
 K-SE\* Cold Knife, serrated blade  
 99-0256 Shipping Case

- VUS-22K USA Series Visual Urethrotome/Urethroscope Kit** includes:  
 VUS-22 USA Series Visual Urethrotome/Urethroscope Sheath, 22 Fr  
 VUS-22-OB USA Series Visual Obturator  
 VUS-22-O USA Series Standard Obturator  
 M3-0 USA Elite System M3 Direct Telescope, 0°  
 IWE USA Series Iglesias Working Element  
 K-HB\* Cold Knife, hook blade  
 K-HM\* Cold Knife, half-moon blade  
 K-SB\* Cold Knife, straight blade  
 K-SE\* Cold Knife, serrated blade  
 99-0256 Shipping Case

\* One each

™ Trademark of Circon Corporation or its Subsidiaries in the U.S. and/or other countries of the world