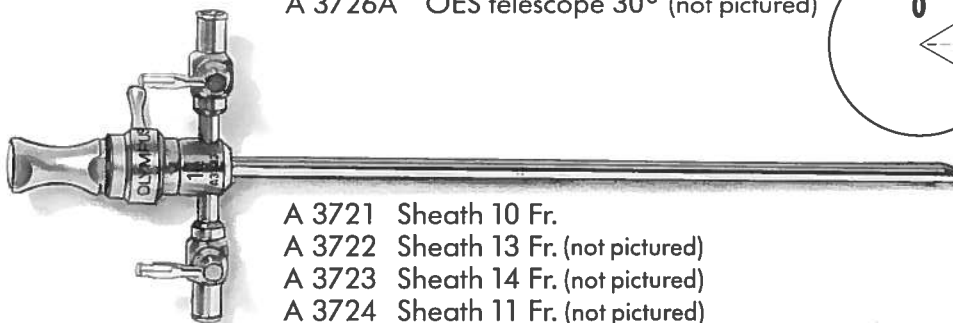


Telescopes and Sheaths

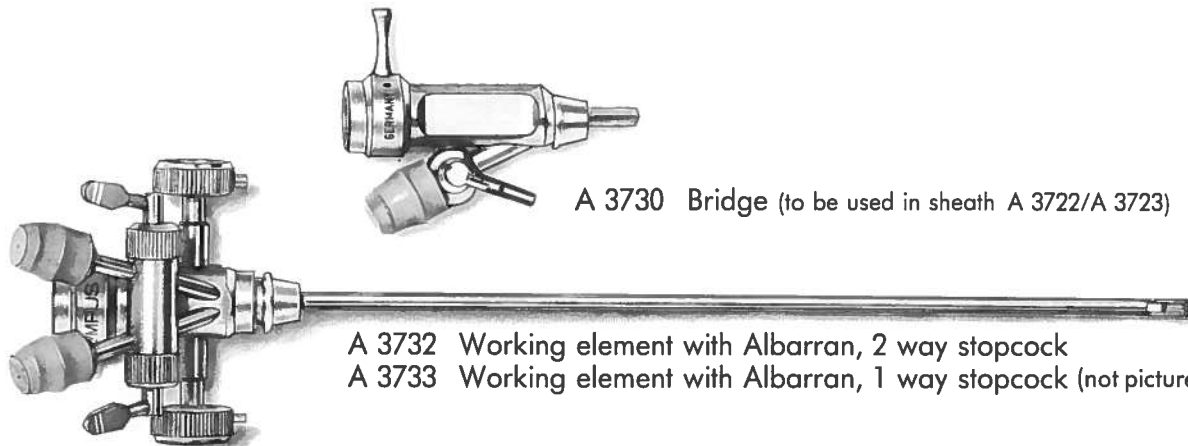


A 3725A OES telescope 0°
A 3726A OES telescope 30° (not pictured)



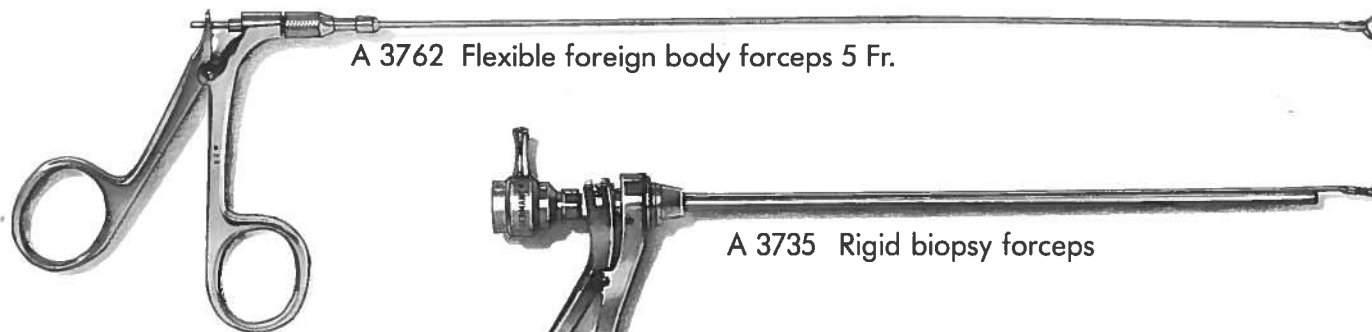
A 3721 Sheath 10 Fr.
A 3722 Sheath 13 Fr. (not pictured)
A 3723 Sheath 14 Fr. (not pictured)
A 3724 Sheath 11 Fr. (not pictured)

Bridges and Forceps



A 3730 Bridge (to be used in sheath A 3722/A 3723)

A 3732 Working element with Albarran, 2 way stopcock
A 3733 Working element with Albarran, 1 way stopcock (not pictured)



A 3762 Flexible foreign body forceps 5 Fr.

A 3735 Rigid biopsy forceps

○ 0113 Button electrode 5 Fr. (not pictured)

Diagnosis of the bladder and urethra in children puts a high degree of emphasis on a bright image and extra-sharp resolution. This requirement is fully matched by OLYMPUS optical technology.

A variety of sheath sizes and accessories is especially applicable for pediatric use.

Electrodes and flexible forceps up to 6 Fr. can be used with the various bridges. The rigid forceps A 3735 is ideal for taking a bladder biopsy.



- A 3725A
- A 3723
- A 3732
- A 3762

Sheath Capacity Table

Sheath Bridge	A 3721 (10 Fr)	A 3724 (11 Fr)	A 3722 (13 Fr)	A 3723 (14 Fr)
A 3730 Bridge with one inlet			1 x 5 Fr	1 x 6 Fr
A 3732 Albarran bridge with one channel	to be used without bridge	to be used without bridge	1 x 4 Fr or 2 x 3 Fr	1 x 5 Fr or 2 x 4 Fr
A 3733 Albarran bridge with double channel			1 x 4 Fr	1 x 5 Fr