

Hysteroscope – 8 mm System



A 4605A Wide angle OES telescope 30°

A 2013A OES telescope 70° (not pictured)



A 4606 Operating sheath, 8 mm



A 4612 Albarran deflecting bridge with irrigation channel

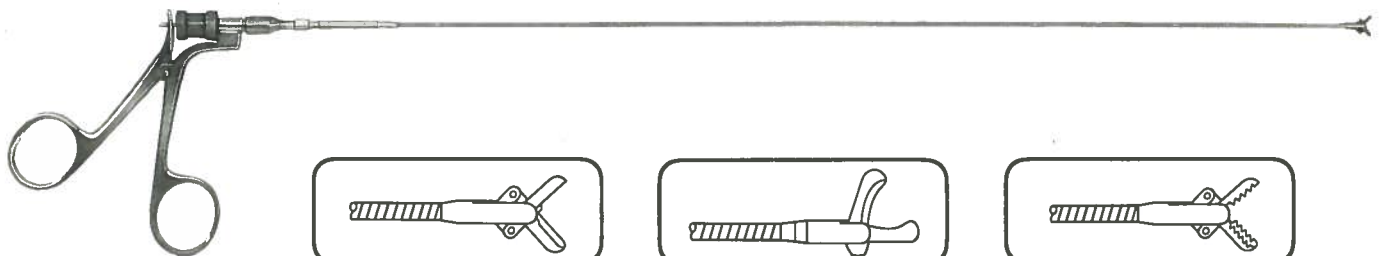
Adapters



A 4680 Standard adapter for A 4612

A 0287 Sealing cap (not pictured)

Flexible Forceps (7 Fr.)

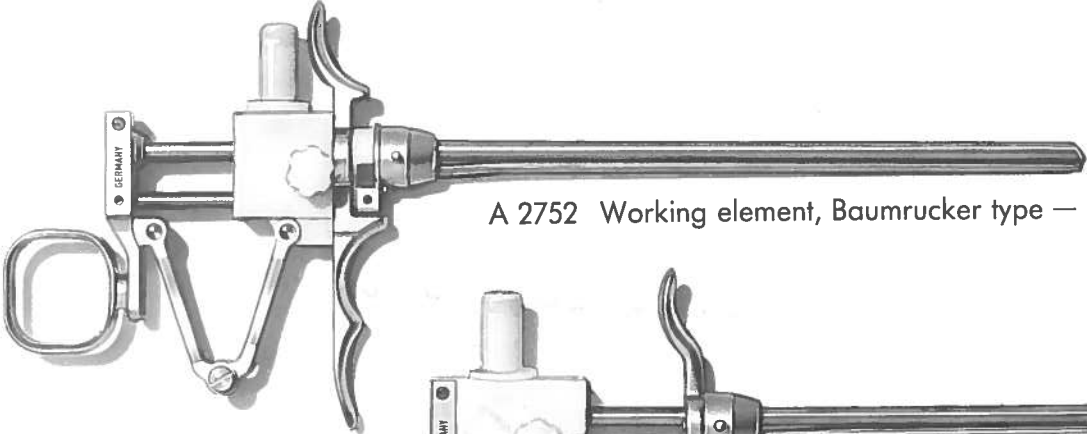


A 4616 Flexible biopsy forceps

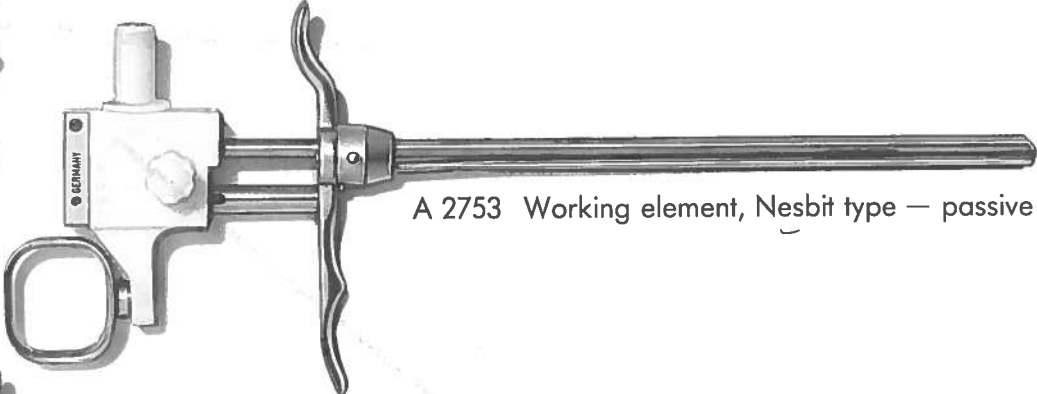
A 4617 Flexible scissors

A 4618 Flexible foreign body forceps

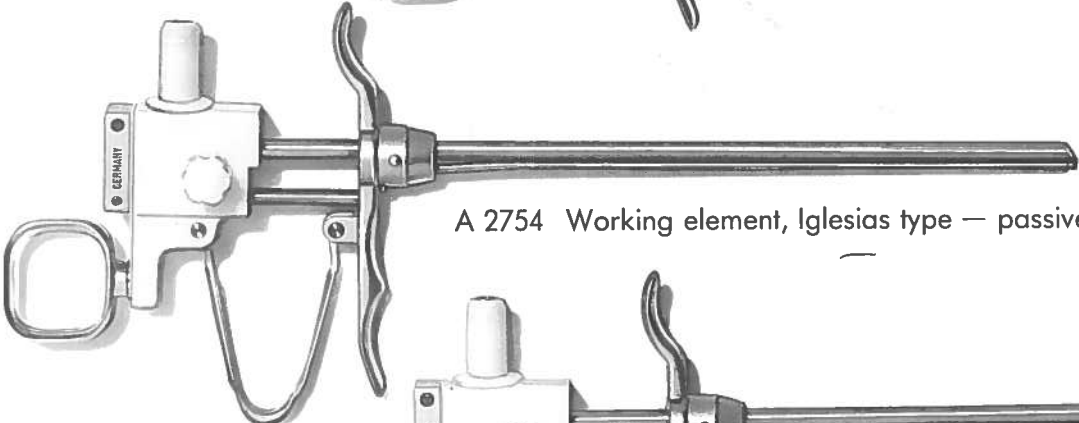
Working Elements for 12°/30°



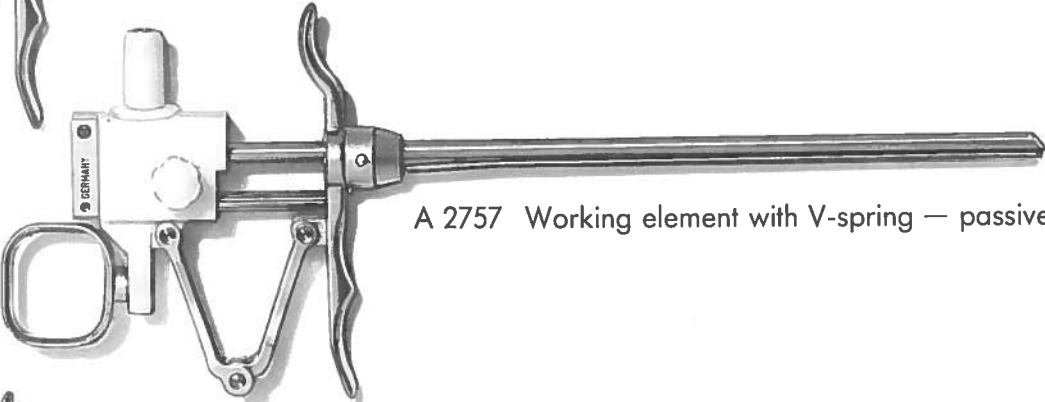
A 2752 Working element, Baumrucker type — active



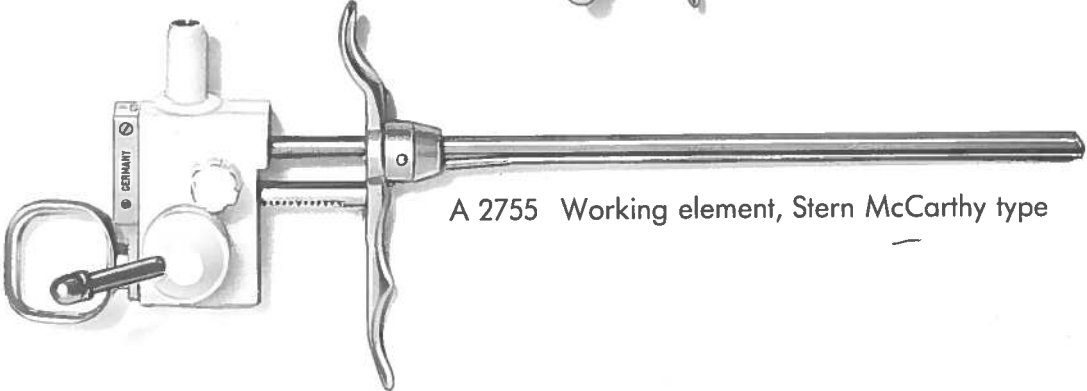
A 2753 Working element, Nesbit type — passive



A 2754 Working element, Iglesias type — passive



A 2757 Working element with V-spring — passive

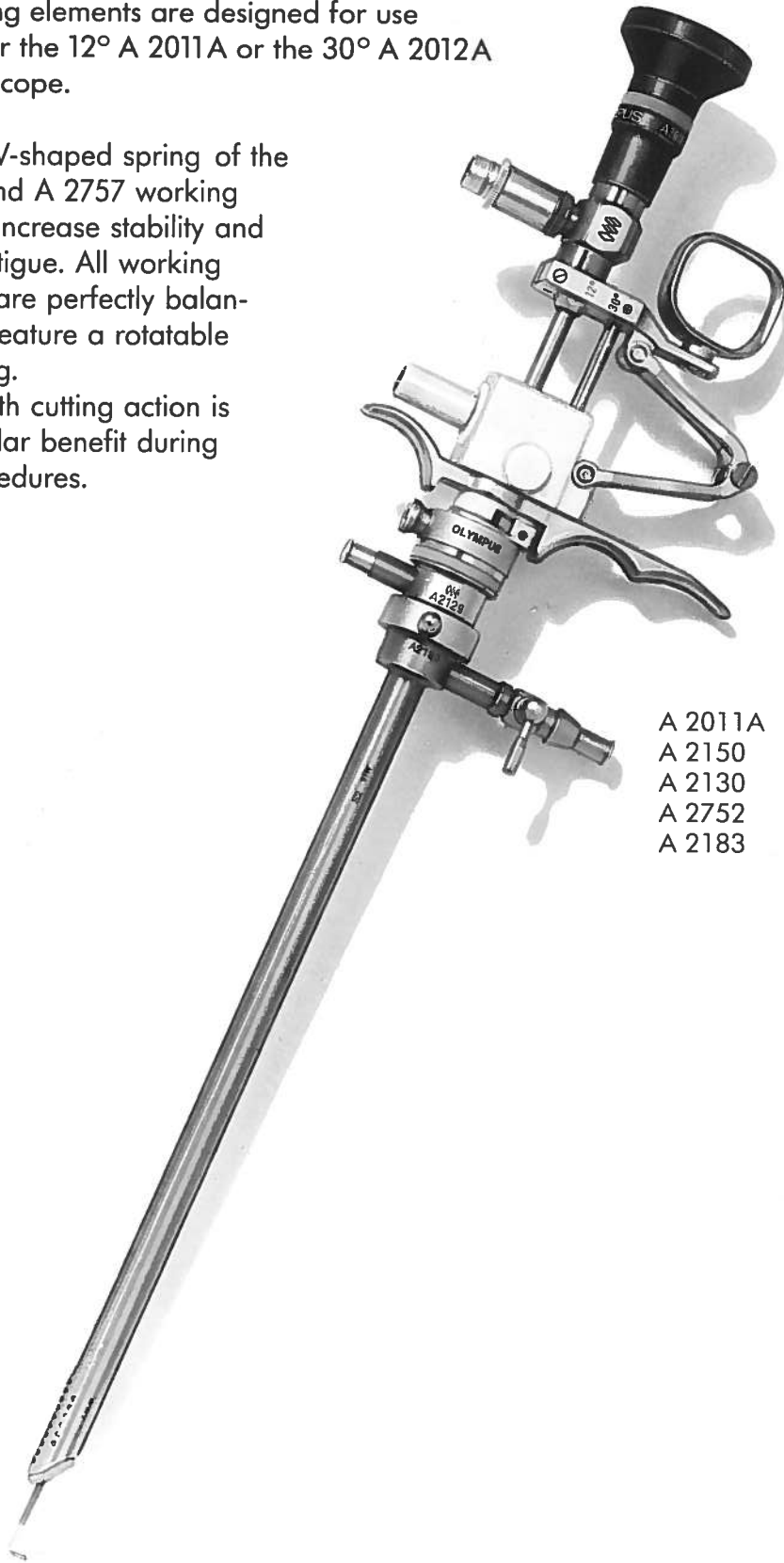


A 2755 Working element, Stern McCarthy type

All working elements are designed for use with either the 12° A 2011A or the 30° A 2012A OES telescope.

The new V-shaped spring of the A 2752 and A 2757 working elements increase stability and reduce fatigue. All working elements are perfectly balanced and feature a rotatable thumb ring.

The smooth cutting action is of particular benefit during long procedures.



A 2011A
A 2150
A 2130
A 2752
A 2183