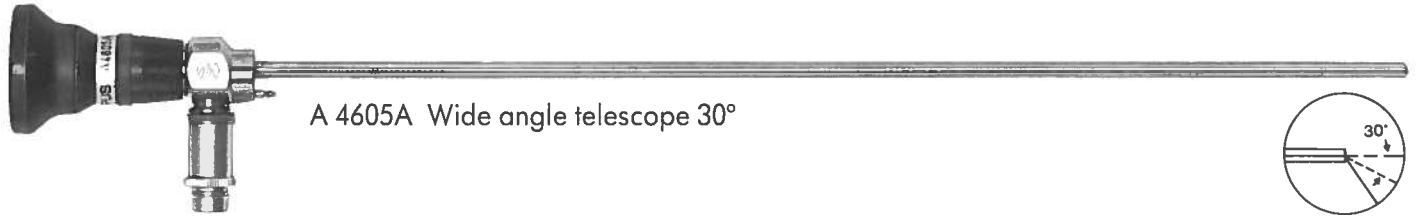
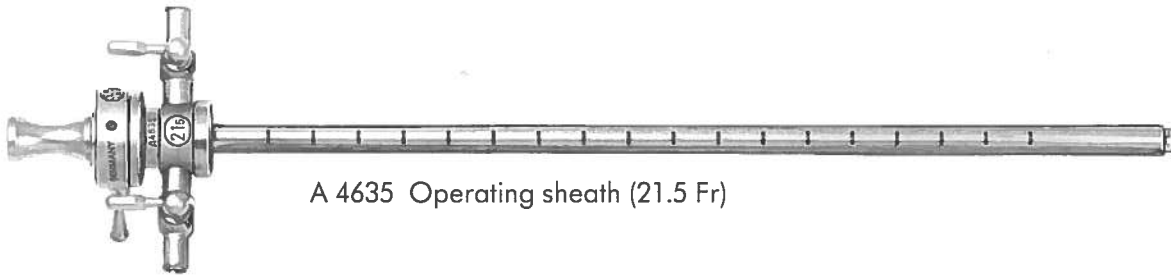


Telescope/Operating Sheath – 7 mm System



A 4605A Wide angle telescope 30°

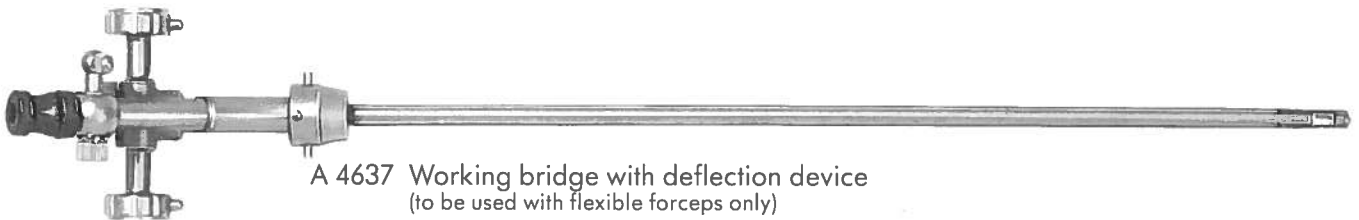


A 4635 Operating sheath (21.5 Fr)

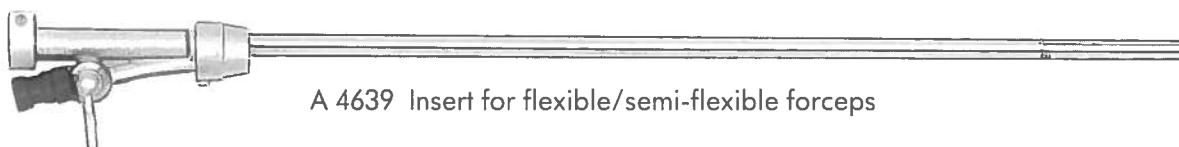


A 4636 Visual obturator

Working Bridges

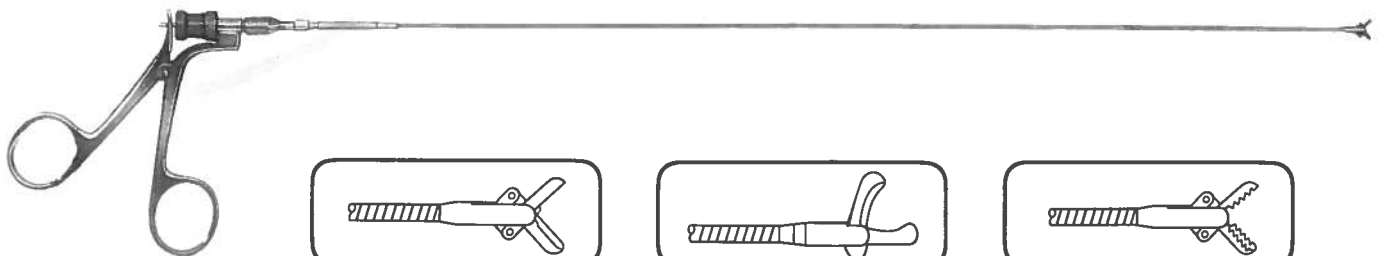


A 4637 Working bridge with deflection device
(to be used with flexible forceps only)



A 4639 Insert for flexible/semi-flexible forceps

Flexible Forceps (7 Fr.)



A 4616 Flexible biopsy forceps

A 4617 Flexible scissors

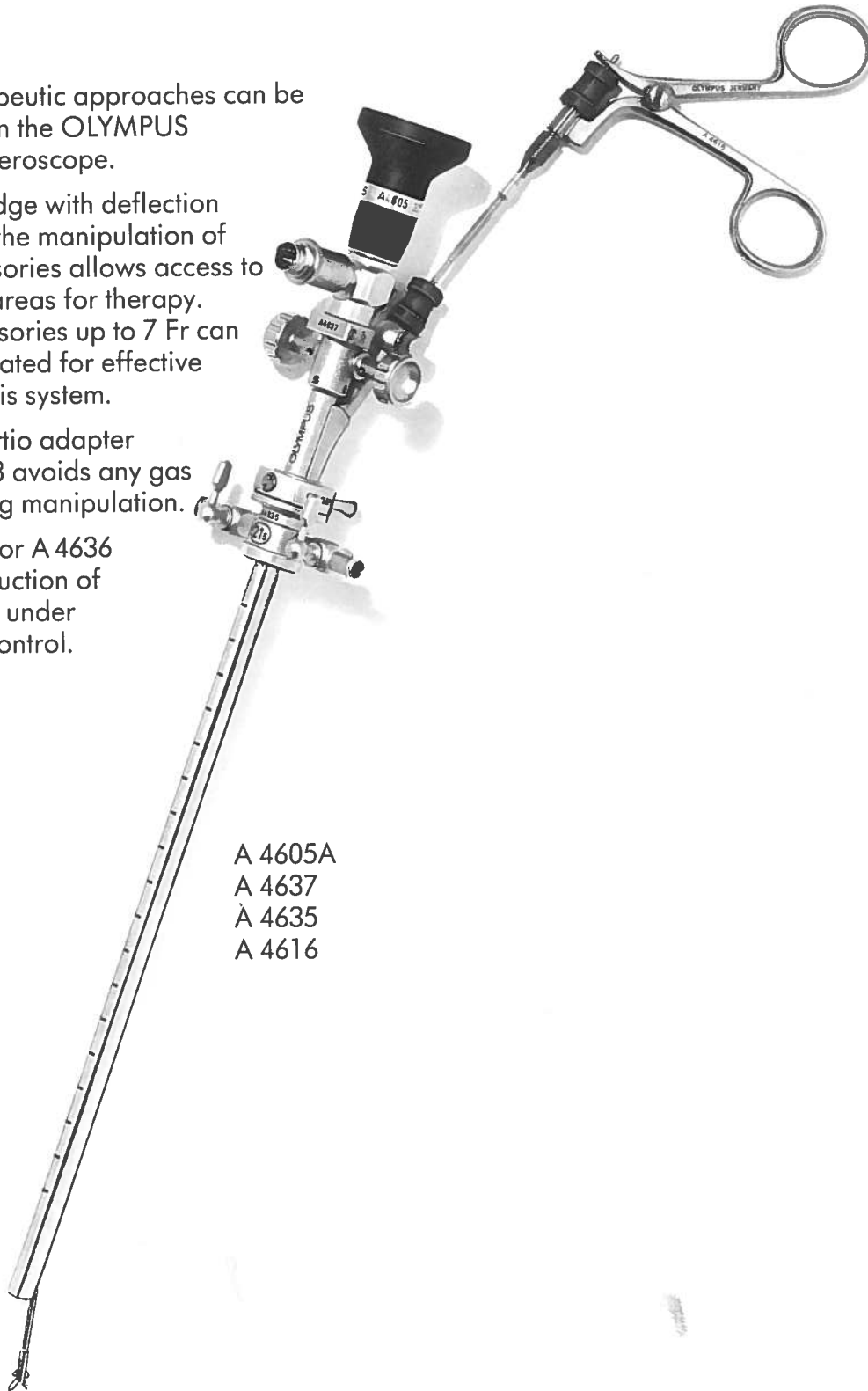
A 4618 Flexible foreign body forceps

Multiple therapeutic approaches can be performed with the OLYMPUS operating hysteroscope.

A working bridge with deflection capability for the manipulation of flexible accessories allows access to even difficult areas for therapy. Flexible accessories up to 7 Fr can be accommodated for effective treatment in this system.

The use of portio adapter A 4621/A 4623 avoids any gas leakage during manipulation.

Visual obturator A 4636 permits introduction of sheath A 4635 under direct visual control.



A 4605A
A 4637
A 4635
A 4616