



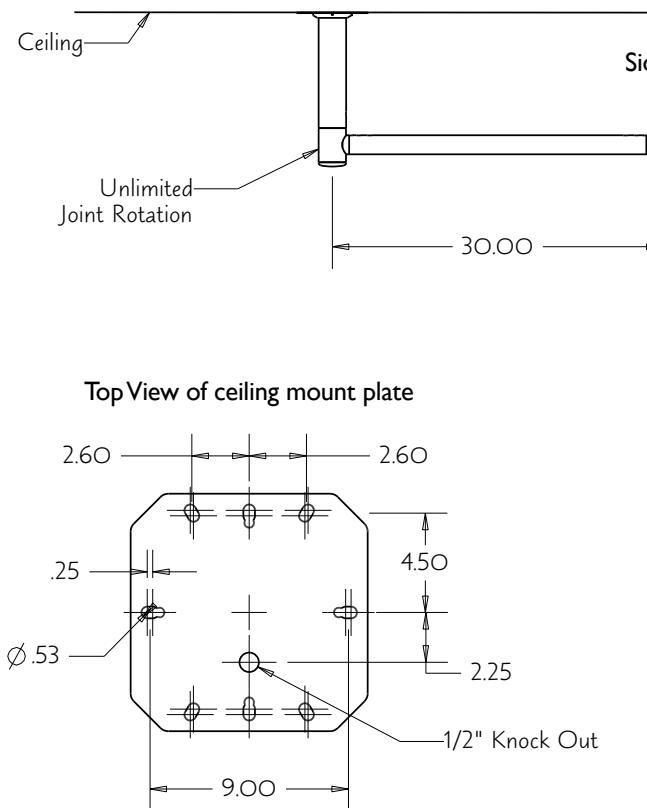
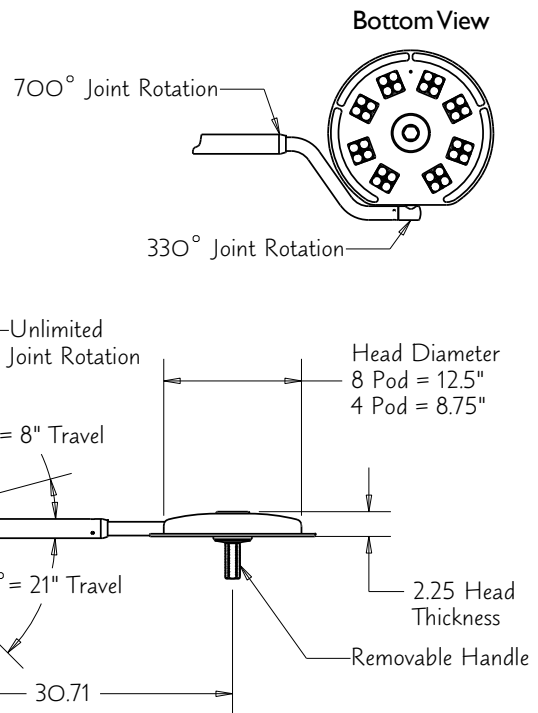
LED Medical Lighting

GALAXY 4 Pod and 8 Pod

Features: 94+ CRI, 4500K color temperature, R9-94



Mount	Arm Reach	Typical Working Distance	Light Intensity	Spot Size	Part #
Single Ceiling	60 in	1 meter	55,000 lux	8"	4X4-GS1
Dual Ceiling	60 in	1 meter	55,000 lux	8"	4X4-GS2
Single Ceiling	60 in	1 meter	100,000 lux	10"	8X4-GS1
Dual Ceiling	60 in	1 meter	100,000 lux	10"	8X4-GS2
Dual Ceiling	60 in	1 meter	55,000/ 100,000 lux	8"/ 10"	4/8X4- GS2



Distributed by:



LED Medical Lighting



Galaxy

GENERATION 3



StarTrol.com



Galaxy

GENERATION 3

LED Medical Lighting

- **StarTrol™** LED Medical Lights produce a bright white light, (94+ CRI and 4500K), ideal for true color rendition.
- **StarTrol™** LED Medical Lights are durable, precision machined and feature a stellar 10-year warranty.
- **StarTrol™** Lights are fully enclosed, for easy clean ability, and have an anodized aluminum handle.
- **StarTrol™** lights are cool and comfortable to work under, with virtually no radiant heat being generated by the LEDs.
- **StarTrol™** lights are energy efficient, using less than one-third the energy of a halogen light, and requires minimal maintenance.
- Primary pivot points feature unlimited rotation.
- Available in Mobile, Wall Mount and Single or Dual ceiling configurations.
- Proudly made in the United States of America.

StarTrol™ features:

- Energy-efficient and Eco-friendly
- Bright, natural white light
- 10-year limited warranty
- Cool to work under
- 50,000 hours of LED life
- Infinite variable positioning
- Multi-level dimming



LED Medical Lighting Division

StarTrol.com



4x4-GSI (Single)



8x4-GSI (Single)

8x4-GS2 (Dual)

